

38999  
III  
HD  
Dualok  
II  
I  
SJT  
Accessories  
Aquacon  
Herm/Seal  
PCB

HIGH SPEED  
Fiber Optics  
Contacts  
Connectors  
Cables

EMI Filter  
Transient

26482  
Matrix 2

83723 III  
Matrix | Pyle

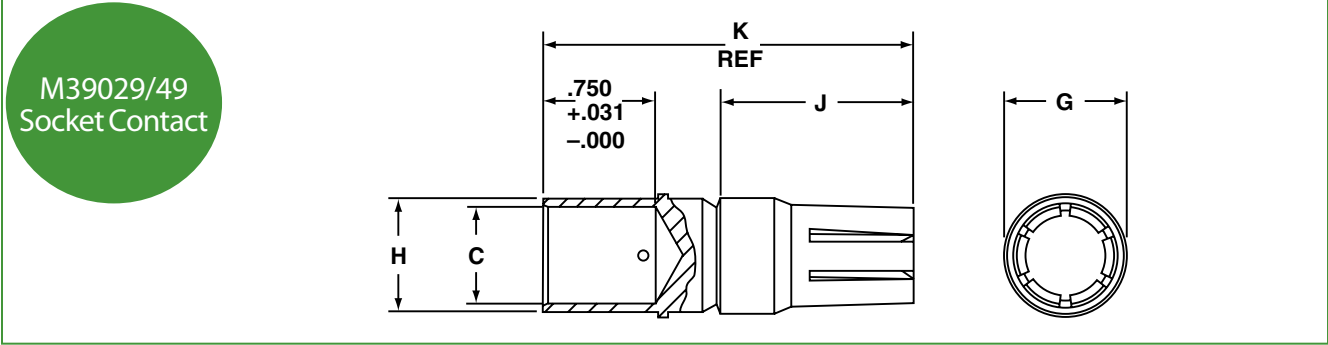
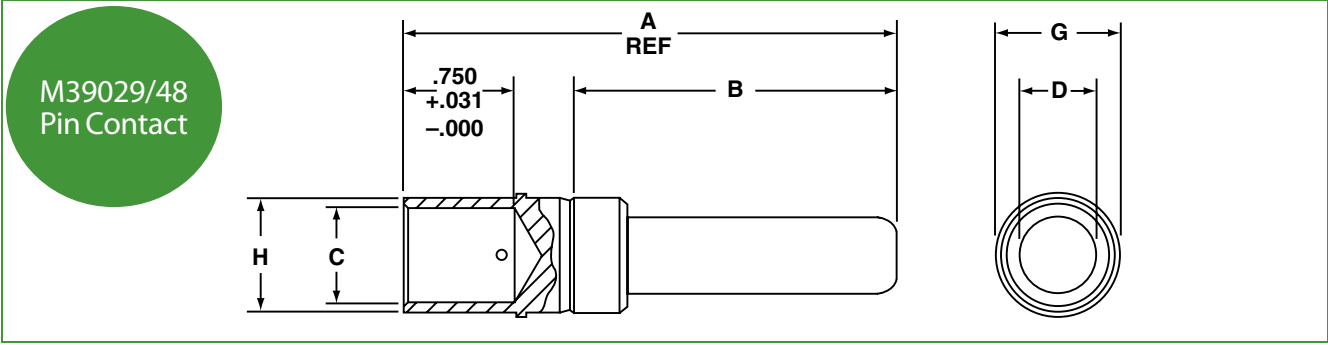
26500  
Pyle

5015  
Crimp Rear Release Matrix

22992  
Class L

Back-Shells

Options  
Others



Order Replacement Contacts by MS part number listed below for either Socket or Pin:

| Socket MS Part Number | Pin MS Part Number | Contact Size | Wire Well Size | A Ref. | B ±.005 | C Dia.            | D Dia. ±.001 | G Dia.      | H Dia.            | J ±.005 | K Ref. |
|-----------------------|--------------------|--------------|----------------|--------|---------|-------------------|--------------|-------------|-------------------|---------|--------|
| M39029/49-335         | M39029/48-327      | 4/0          | 4/0            | 3.207  | 2.097   | .641 +.004 -0.003 | .500         | .781 ±0.003 | .750 +.004 -0.003 | 1.283   | 2.393  |
| -                     | M39029/48-328      | 4/0N         | 4/0            | 3.325  | 2.215   | .641 +.004 -0.003 | .500         | .781 ±0.003 | .750 +.004 -0.003 | -       | -      |
| M39029/49-333         | M39029/48-323      | 1/0          | 1              | 3.207  | 2.097   | .406 +.004 -0.003 | .357         | .609 ±0.003 | .506 +.004 -0.003 | 1.283   | 2.393  |
| -                     | M39029/48-324      | 1/0N         | 1              | 3.325  | 2.215   | .406 +.004 -0.003 | .357         | .609 ±0.003 | .506 +.004 -0.003 | -       | -      |
| M39029/49-331         | M39029/48-320      | 4            | 4              | 2.786  | 1.738   | .281 ±0.002       | .225         | .417 ±0.002 | .374 ±0.002       | 1.158   | 2.206  |
| -                     | M39029/48-321      | 4N           | 4              | 2.904  | 1.856   | .281 ±0.002       | .225         | .417 ±0.002 | .374 ±0.002       | -       | -      |
| M39029/49-329         | M39029/48-317      | 6            | 6              | 2.786  | 1.738   | .234 ±0.002       | .178         | .342 ±0.002 | .312 ±0.002       | 1.158   | 2.206  |
| -                     | M39029/48-318      | 6N           | 6              | 2.904  | 1.856   | .234 ±0.002       | .178         | .342 ±0.002 | .312 ±0.002       | -       | -      |
| M39029/49-332         | M39029/48-322      | 4G           | 4              | 2.856  | 1.756   | .281 ±0.002       | .225         | .417 ±0.002 | .374 ±0.002       | 1.752   | 2.862  |
| M39029/49-330         | M39029/48-319      | 6G           | 6              | 2.856  | 1.746   | .234 ±0.002       | .178         | .342 ±0.002 | .312 ±0.002       | 1.752   | 2.862  |



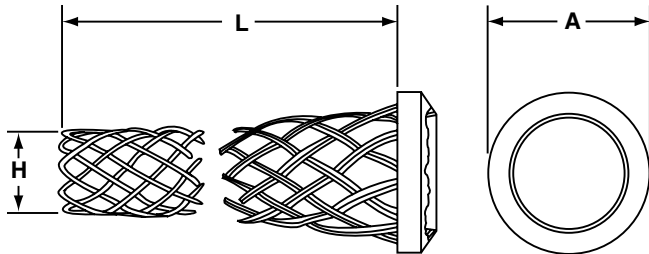
Order Contact Bushings by MS part number listed below:

| MS Part Number  | Contact Wire Barrel Size (Ref) | Wire Size (Ref) | A Dia. +.010 -0.003 | B Dia. +.002 -0.003 |
|-----------------|--------------------------------|-----------------|---------------------|---------------------|
| MS3348-1-2L     | 1                              | 2               | .359                | .396                |
| MS3348-4-5L     | 4                              | 5               | .250                | .272                |
| MS3348-4-6L     | 4                              | 6               | .225                | .272                |
| MS3348-6-8L     | 6                              | 8               | .185                | .225                |
| MS3348-6-9L     | 6                              | 9               | .155                | .225                |
| MS3348-1-6L     | 1                              | 6               | .225                | .396                |
| MS3348-4-8L     | 4                              | 8               | .185                | .272                |
| MS3348-6-10L    | 6                              | 10              | .136                | .225                |
| MS3348-4/0-2/0L | 4/0                            | 2/0             | .500                | .629                |

See page 476 and 477 for information on Contact Removal Tools for Class L connectors.

All dimensions for reference only.

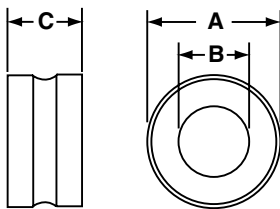
### MS90561 Cable Strain Relief



Order Strain Reliefs by MS part number listed below:

| MS Part Number | Arrangement Number | A Dia. +.000 -0.010 | H Dia. Cable Range |       | L Approx. |
|----------------|--------------------|---------------------|--------------------|-------|-----------|
|                |                    |                     | Max.               | Min.  |           |
| MS90561-2      | 28-13, 32-12       | 1.797               | 1.145              | 1.003 | 8.000     |
| MS90561-4      | 28-02, -28-04      | 1.797               | .844               | .688  | 7.500     |
| MS90561-12     | 28-12              | 1.797               | 1.047              | .891  | 8.000     |
| MS90561-13     | 32-13              | 1.797               | 1.342              | 1.185 | 9.500     |
| MS90561-15     | 44-12              | 2.235               | 1.516              | 1.360 | 11.500    |
| MS90561-16     | 44-13              | 2.235               | 1.688              | 1.531 | 13.500    |
| MS90561-17     | 52-12              | 2.922               | 2.328              | 2.039 | 18.000    |
| MS90561-18     | 52-13              | 2.922               | 2.500              | 2.211 | 19.000    |
| MS90561-19     | 44-51              | 2.235               | 1.750              | 1.550 | 12.500    |
| MS90561-20     | 44-52              | 2.235               | 1.578              | 1.375 | 12.000    |
| MS90561-21     | 44-56              | 2.235               | 1.160              | 1.010 | 8.000     |

### MS23747 Cable Sealing Gland



Order Cable Sealing Glands by MS part number listed below:

| MS Part Number | Arrangement Number  | A Dia. +.000 -0.020 | B Dia. +.020 -0.000 | C ±.010 | Min Cable Dia. Ref. |
|----------------|---------------------|---------------------|---------------------|---------|---------------------|
| MS23747-2      | 28-13, 32-05, 32-12 | 1.805               | 1.130               | 1.034   | 1.005               |
| MS23747-12     | 28-12               | 1.805               | 1.047               | 1.034   | .922                |
| MS23747-13     | 32-13               | 1.805               | 1.342               | 1.034   | 1.217               |
| MS23747-14     | 44-03               | 2.242               | 1.438               | 1.160   | 1.313               |
| MS23747-15     | 44-12               | 2.242               | 1.516               | 1.160   | 1.391               |
| MS23747-16     | 44-13               | 2.242               | 1.672               | 1.160   | 1.547               |
| MS23747-18     | 52-12               | 2.927               | 2.328               | 1.284   | 2.183               |
| MS23747-19     | 52-13               | 2.927               | 2.453               | 1.284   | 2.308               |
| MS23747-20     | 44-51               | 2.242               | 1.734               | 1.160   | 1.609               |
| MS23747-21     | 44-52               | 2.242               | 1.562               | 1.160   | 1.437               |
| MS23747-22     | 44-56               | 2.242               | 1.150               | 1.160   | 1.025               |

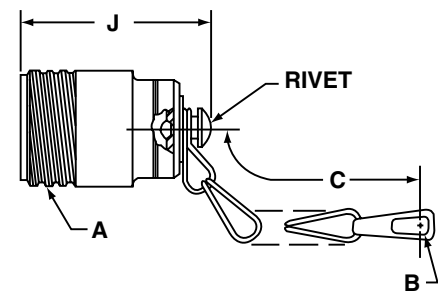
### Protection Caps

Order Protection Caps by MS part number listed in charts below. To complete the MS part number add letter C (Conductive) for AC or N (Non-Conductive) for DC connector assemblies.

All dimensions for reference only.

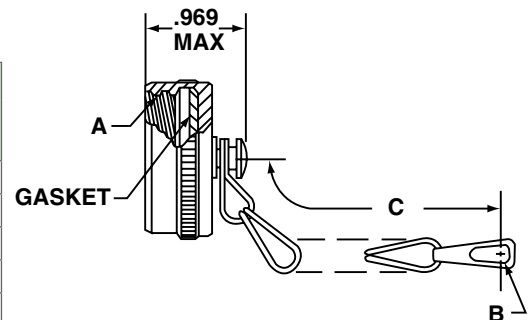
#### MS90563 Protection Caps used with MS90555 Wall Mount Receptacle, MS90557 Cable Connecting Receptacle

| MS Part Number | Use with Shell Size | A Thread Class 2B .1428P-.2857L Double Stub | B Dia. Ref. |             | C Approx. |
|----------------|---------------------|---|-------------|-------------|-----------|
|                |                     |   | For MS90555 | For MS90557 |           |
| MS90563-1( )   | 28                  | 2.000                                       | .177        | .177        | 6.000     |
| MS90563-3( )   | 32                  | 2.250                                       | .209        | -           | 4.500     |
| MS90563-4( )   | 32                  | 2.250                                       | -           | .177        | 6.000     |
| MS90563-7( )   | 44                  | 3.000                                       | .281        | .281        | 7.500     |
| MS90563-11( )  | 52                  | 3.500                                       | .281        | .281        | 7.500     |



#### MS90564 Protection Caps used with MS90556 Straight Plug, MS90558 Wall Mount Plug

| MS Part Number | Use with Shell Size | A Thread Class 2B .1428P-.2857L Double Stub | B Dia. Ref. |             | C Approx. | J Max. |
|----------------|---------------------|---|-------------|-------------|-----------|--------|
|                |                     |   | For MS90556 | For MS90558 |           |        |
| MS90564-1( )   | 28                  | 2.000                                       | .177        | .177        | 7.500     | 2.266  |
| MS90564-3( )   | 32                  | 2.250                                       | -           | .209        | 6.000     | 2.266  |
| MS90564-4( )   | 32                  | 2.250                                       | .177        | -           | 7.500     | 2.266  |
| MS90564-7( )   | 44                  | 3.000                                       | .281        | .281        | 8.500     | 2.484  |
| MS90564-11( )  | 52                  | 3.500                                       | .281        | .281        | 8.500     | 2.484  |



38999

- III
- HD
- Dualok
- II
- I
- SJT
- Accessories
- Aquacon
- Herm/Seal
- PCB

HIGH SPEED

- Fiber Optics
- Contacts
- Connectors
- Cables

EMI Filter Transient

26482 Matrix 2

83723 III Matrix | Pyle

26500 Pyle

5015 Crimp Rear Release Matrix

22992 Class 1

Back-Shells

Options Others