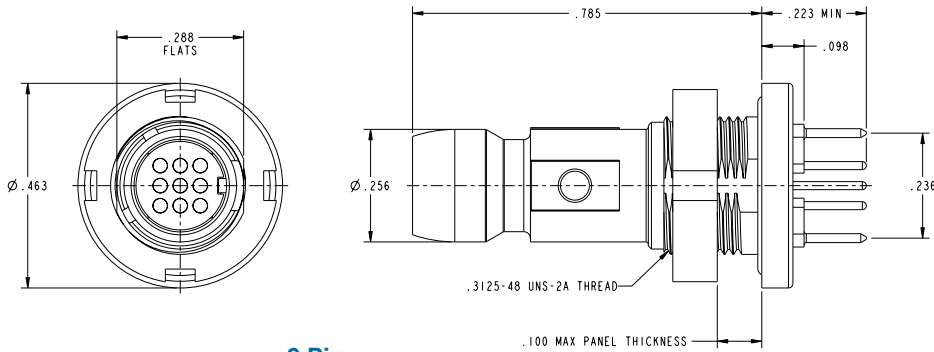




# Chassis Mount Plug - How to Order



9 Pin

| 1. Series | 2. Shell Style | 3. Service Class | 4. Alternate Keying Position | Grounding Pins |
|-----------|----------------|------------------|------------------------------|----------------|
| MRC9      | 7              | C                | N                            | G              |

| SERIES |                     |
|--------|---------------------|
| MRC9   | 9 Pin MRC Connector |

| SHELL STYLE |                             |
|-------------|-----------------------------|
| 7           | PC Jam Nut Panel Mount Plug |
| 2           | PC Square Flange            |

| SERVICE CLASS |                          |
|---------------|--------------------------|
| Finish        |                          |
| C             | OD Cadmium               |
| E             | Electroless Nickel       |
| D             | Durmalon                 |
| Z             | Black Zinc Nickel        |
| G             | Green Zinc Nickel        |
| B             | Black Electroless Nickel |

| KEYING       |     |     |
|--------------|-----|-----|
| Key Position | AB° | AC° |
| N            | 120 | 210 |
| A            | 150 | 210 |
| B            | 95  | 210 |
| C            | 120 | 275 |
| D            | 150 | 275 |

| GROUNDING PINS |                |
|----------------|----------------|
|                | Omit           |
| G              | Grounding Pins |

