



Sealed Receptacles with UTS Crimp Contacts for Bulkhead Applications

Amphenol Aerospace offers a lightweight 38999 Series III interconnect solution for sealed bulkhead applications.

These jam nut or wall mount style connectors offer lighter weights than glass fused steel hermetics. They feature 1×10^{-5} minimum leak rates when properly installed. This, combined with crimp insertable contacts, allows quick and reliable termination using standard M39029/57 socket contacts.

- Perfect for those pressure vessel or thru-bulkhead applications.

FEATURES

- + Aluminum shells with Electroless nickel plating standard - Also available in Durmalon and O.D. Cadmium finishes. Steel available upon request.
- + Accessory threads sized for standard backshells.
- + Intermateable & inter-mountable with standard 38999 Series III plugs.
- + Extra thick panel mounting capable - Up to .375 in.
- + Crimp termination using Amphenol's UTS (Universal Termination System)
- + Uses Amphenol's standard "Filter Epoxy Compound" - 40 years of proven reliability and experience.
- + Skydrol and jet fuel resistance inserts, seals and backfill.



Ideal for Thru-Bulkhead Applications

Contact Us:
 Kyle Brown
 E-mail: kbrown@amphenol-aao.com
 Phone: 607-563-5335

Steps to build a part number... 21-906 Series Receptacles

1.	2.	3.	4.	5.
Connector Type	Shell Styles	Shell Size – Insert Arrangement	Alternate Keyway Position	Shell Finish
21-906	7	23-35	H	D

Step 1. Connector Type

	Designates
21-906	38999 Type Sealed Receptacle with M39029/57 Rear Crimp Removable Socket Contacts

Step 2. Select a Receptacle Shell Style

	Designates
7	Jam Nut Receptacle
0	Wall Mount Receptacle

Step 3. Select a Shell Size and Insert Arrangement

Shell sizes are 9 thru 25. Insert arrangements are per number IAW of MIL-STD-1560. For shell sizes and insert availability see catalog section MIL-DTL-38999 Series III of Amphenol Circular Connector catalog 12-C3 (online at www.amphenol-aerospace.com)

Step 4. Select an Alternate Keying Position on Shell

	Pin	Socket
Normal	P	S
A	G	H
B	I	J
C	K	L
D	M	N
E	R	T

Step 5. Select a Shell Finish

	Designates
None	Electroless Nickel (standard)
9	Olive Drab, Nickel Base
D	Durmalon



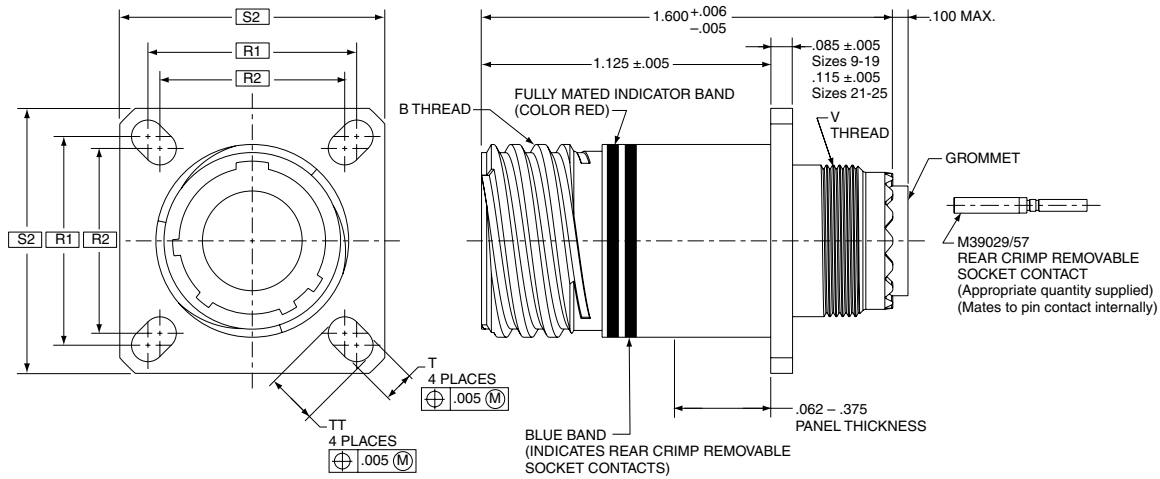
Sealed Jam Nut Receptacles (showing front and back) with Crimp Contacts - Use UTS Termination System with M39029/57 Socket Crimp Contacts and Standard Insertion/Removal Tool

Sealed Crimp Receptacles for Bulkhead Applications

Wall Mount Receptacle 21-9060()*

Similar to D38999/20

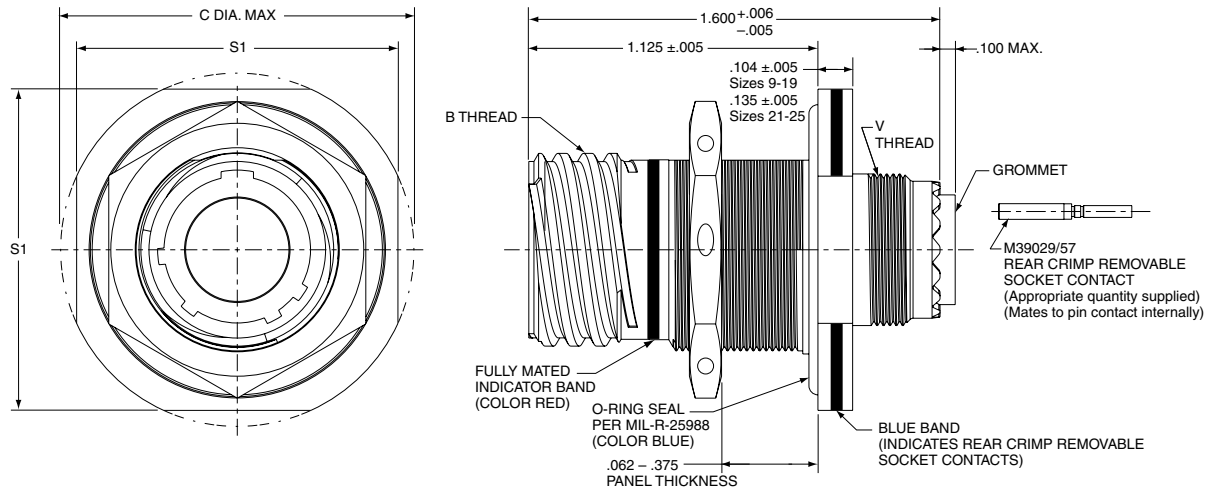
* See How to Order information on front to complete part number.



Jam Nut Receptacle 21-9067()*

Similar to D38999/24

* See How to Order information on front to complete part number.



Part Number	B Thread 0.1P - 0.3L - TS Class 2A	C Dia. Max.	R1	R2	S1	S2	T +.008 -.006	TT +.008 -.006	V Thread
21-906X09-XXXX	.6250	1.199	.719	.594	1.062	.938	.128	.216	M12 X 1-6g0.100R
21-906X11-XXXX	.7500	1.386	.812	.719	1.250	1.031	.128	.194	M15 X 1-6g0.100R
21-906X13-XXXX	.8750	1.511	.906	.812	1.375	1.125	.128	.194	M18 X 1-6g0.100R
21-906X15-XXXX	1.0000	1.636	.969	.906	1.500	1.219	.128	.173	M22 X 1-6g0.100R
21-906X17-XXXX	1.1875	1.761	1.062	.969	1.625	1.312	.128	.194	M25 X 1-6g0.100R
21-906X19-XXXX	1.2500	1.949	1.156	1.062	1.812	1.438	.128	.194	M28 X 1-6g0.100R
21-906X21XXXX	1.3750	2.073	1.250	1.156	1.938	1.562	.128	.194	M31 X 1-6g0.100R
21-906X23-XXXX	1.5000	2.199	1.375	1.250	2.062	1.688	.154	.242	M34 X 1-6g0.100R
21-906X25-XXXX	1.6250	2.323	1.500	1.375	2.188	1.812	.154	.242	M37 X 1-6g0.100R

Notice: Specifications are subject to change without notice. Contact your nearest Amphenol Corporation Sales Office for the latest specifications. All statements, information and data given herein are believed to be accurate and reliable but are presented without guarantee, warranty, or responsibility of any kind, expressed or implied. Statements or suggestions concerning possible use of our products are made without representation or warranty that any such use is free of patent infringement and are not recommendations to infringe any patent. The user should assume that all safety measures are indicated or that other measures may not be required. Specifications are typical and may not apply to all connectors.