

# BULKHEAD FEED-THROUGHS

## 38999+ CONNECTORS

PDS - 246



### Bulkhead Feed-Through Connectors remove the need for discrete wire termination when assembling the connector.

Amphenol Aerospace's Bulkhead Feed-Through connectors are double-ended receptacles with feed through contacts that mate to standard Mil-Spec D38999 plugs. Available in multiple shell and contact styles, they are designed to meet applicable requirements for 38999 series III and allow for long-term ease of assembly and serviceability.

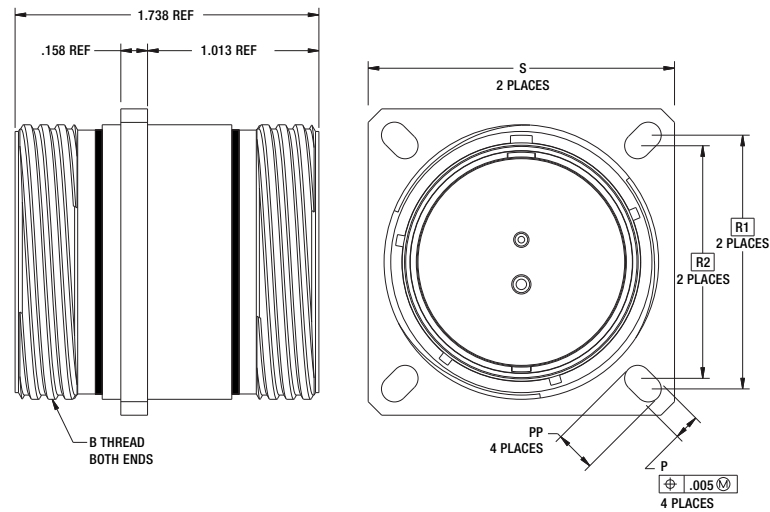
#### FEATURES & BENEFITS:

- **Corrosion Resistance:**  
Several Shell Finishes capable of withstanding 500 hours of salt spray.
- **Environmentally Sealed:**  
Environmentally sealed when mated with Mil-Spec plug.
- **Gender Availability:**  
Available in a variety of gender options tailored to your application needs.
- **Contact Protection:**  
Recessed pins in this 100% scoop-proof connector minimize potential contact damage.
- **Versatile:**  
Mates to standard D38999 plug connectors (D38999/26).
- **Temperature:**  
Performs in ranges from -65°C through 200°C.

#### OPTIONS:

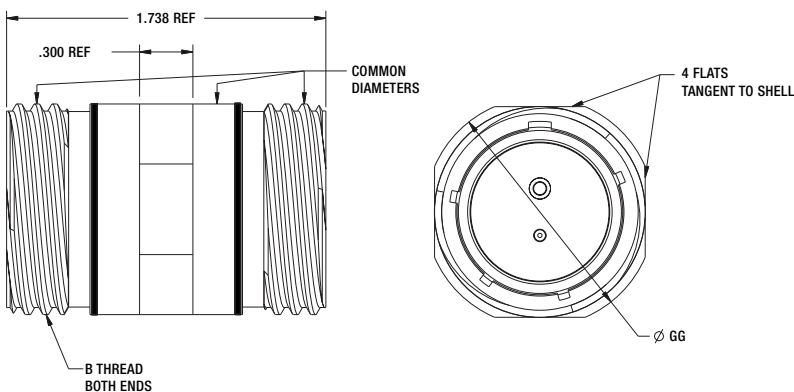
- Tooled in Standard D38999 insert patterns
- Contact Amphenol for Firewall Capability
- Amphenol standard platings available for both aluminum and stainless steel shells
- Also available: thermocouple, filtering, custom, and high speed. Contact Amphenol for more information.

## BTV00 - Wall Mount

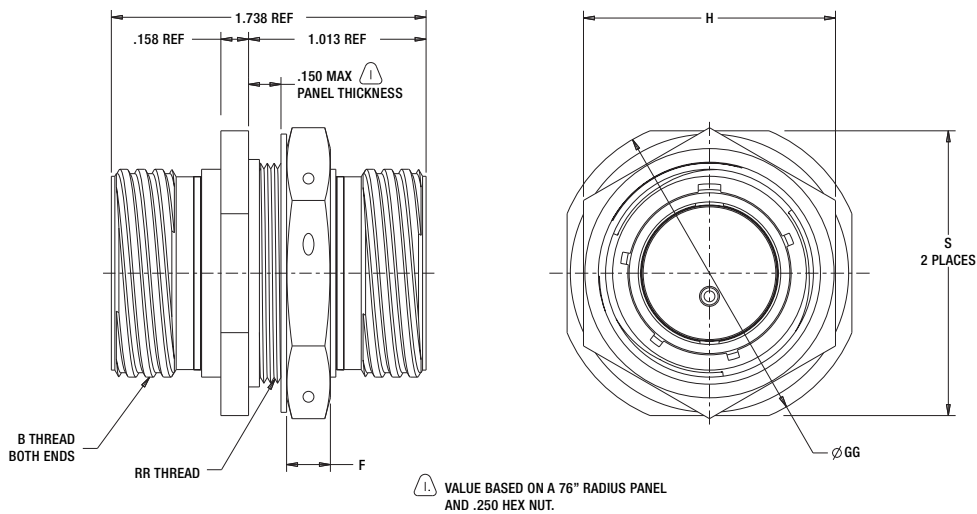


Connector Size	B Thread Class 2A, Blunt Start per 9-3200-2	P ±.007	PP ±.007	R1	R2	S ±.010
9	.6250-0.IP-0.3L-TS	.128	.216	.719	.594	.937
11	.7500-0.IP-0.3L-TS	.128	.194	.812	.719	1.031
13	.8750-0.IP-0.3L-TS	.128	.194	.906	.812	1.126
15	1.0000-0.IP-0.3L-TS	.128	.173	.969	.906	1.220
17	1.1875-0.IP-0.3L-TS	.128	.194	1.062	.969	1.311
19	1.2500-0.IP-0.3L-TS	.128	.194	1.156	1.062	1.437
21	1.3750-0.IP-0.3L-TS	.128	.194	1.250	1.156	1.563
23	1.5000-0.IP-0.3L-TS	.154	.242	1.375	1.250	1.689
25	1.6250-0.IP-0.3L-TS	.154	.242	1.500	1.375	1.811

## BTV01- In-line



Connector Size	B Thread Class 2A, Blunt Start	Ø GG
9	.6250-0.IP0.3L-TS	.725
11	.7500-0.IP0.3L-TS	.850
13	.8750-0.IP0.3L-TS	.975
15	1.0000-0.IP0.3L-TS	1.100
17	1.1875-0.IP0.3L-TS	1.290
19	1.2500-0.IP0.3L-TS	1.350
21	1.3750-0.IP0.3L-TS	1.475
23	1.5000-0.IP0.3L-TS	1.600
25	1.6250-0.IP0.3L-TS	1.725



Connector Size	B Thread Class 2A	S	Ø GG	RR Thread	H Hex ±.016	F
9	.6250-0.IP-0.3L-TS	1.062	1.188	M17X1-6g	N/A	.875
11	.7500-0.IP-0.3L-TS	1.250	1.375	M20X1-6g	N/A	1.000
13	.8750-0.IP-0.3L-TS	1.375	1.500	M25X1-6g	N/A	1.188
15	1.0000-0.IP-0.3L-TS	1.500	1.625	M28X1-6g	N/A	1.312
17	1.1875-0.IP-0.3L-TS	1.625	1.750	M32X1-6g	31.92-31.80	1.438
19	1.2500-0.IP-0.3L-TS	1.812	1.938	M35X1-6g	N/A	1.562
21	1.3750-0.IP-0.3L-TS	1.938	2.062	M38X1-6g	N/A	1.688
23	1.5000-0.IP-0.3L-TS	2.062	2.188	M41X1-6g	N/A	1.812
25	1.6250-0.IP-0.3L-TS	2.188	2.312	M44X1-6g	N/A	2.000

.184 + .002 -.005
.250 + .010 -.000

1.	2.	3.	4.	5.	6.
Connector Type	Shell Style	Service Class	Shell Size - Insert Arrangement	Contact Type	Alternate Positions
BTV	07	RW	21-35	SP	B

Note: Panel Accomodations .060 - .150"

1. Connector Type	
<b>BTV</b>	Bulkhead Feed-Through Connector

2. Shell Style	
<b>00</b>	Wall Mount Receptacle
<b>01</b>	Line Receptacle
<b>07</b>	Jam Nut Receptacle

4. Shell Size - Insert Arrangement	
<b>9-</b>	Fill in applicable 38999 Insert Pattern
<b>11-</b>	
<b>13-</b>	
<b>15-</b>	
<b>17-</b>	
<b>19-</b>	
<b>21-</b>	
<b>23-</b>	
<b>25-</b>	

5. Contact Type	
<b>SP</b>	Socket-Pin
<b>PS</b>	Pin-Socket
<b>PP</b>	Pin-Pin
<b>SS</b>	Socket-Socket

3. Service Class	
<b>RB</b>	Aluminum Bronze, 2,000 hour salt spray, 65dB @ 10GHz, 200°C
<b>RF</b>	Electroless nickel plated aluminum EMI shielding effectiveness - 65dB @ 10GHz specification min., 48 hour salt spray, 200°C
<b>RK</b>	Corrosion resistant stainless steel, firewall capability, plus 500 hour salt spray resistance, EMI -45dB @ 10GHz specification min., 200°C
<b>RL</b>	Corrosion resistant steel, electro deposited nickel, 500 hour salt spray, 200°C, non firewall, EMI shielding -65dB @ 10GHz specification min.
<b>RW</b>	Corrosion resistant olive drab cadmium plated aluminum, 500 hour extended salt spray, EMI -50dB @ 10GHz specification min., 175°C
<b>DT</b>	Durmalon plated, alternative to cadmium. Corrosion resistant, 500 hour extended salt spray, EMI -50dB @ 10GHz specification min. without CR6
<b>DZ</b>	Black Zinc-Nickel alternative to cadmium. Corrosion resistant, 500 hour salt spray, conductive, -65°C to +175°C
<b>DW</b>	Corrosion resistant olive drab cadmium plated aluminum, <b>1,000</b> hour extended salt spray, EMI -50dB @ 10GHz specification min., 175°C

6. Alternate Position					
Shell Size	Key & Keyway Arrangement Identification Letter	AR° or AP° BSC	BR° or BP° BSC	CR° or CP° BSC	DR° or DP° BSC
9	<b>N</b>	105	140	215	265
	<b>A</b>	102	132	248	320
	<b>B</b>	80	118	230	312
	<b>C</b>	35	140	205	275
	<b>D</b>	64	155	234	304
11 13 15	<b>E</b>	91	131	197	240
	<b>N</b>	95	141	208	236
	<b>A</b>	113	156	182	292
	<b>B</b>	90	145	195	252
	<b>C</b>	53	156	220	255
17 19	<b>D</b>	119	146	176	298
	<b>E</b>	51	141	184	242
	<b>N</b>	80	142	196	293
	<b>A</b>	135	170	200	310
	<b>B</b>	49	169	200	244
21 23 25	<b>C</b>	66	140	200	257
	<b>D</b>	62	145	180	280
	<b>E</b>	79	153	197	272
	<b>N</b>	80	142	196	293
	<b>A</b>	135	170	200	310

Note: For Jam Nut/Wall Mount versions the first letter designates the panel side of the connector (see drawing) while the second letter in the sequence designates the opposite side. The In-Line can be reversed.

