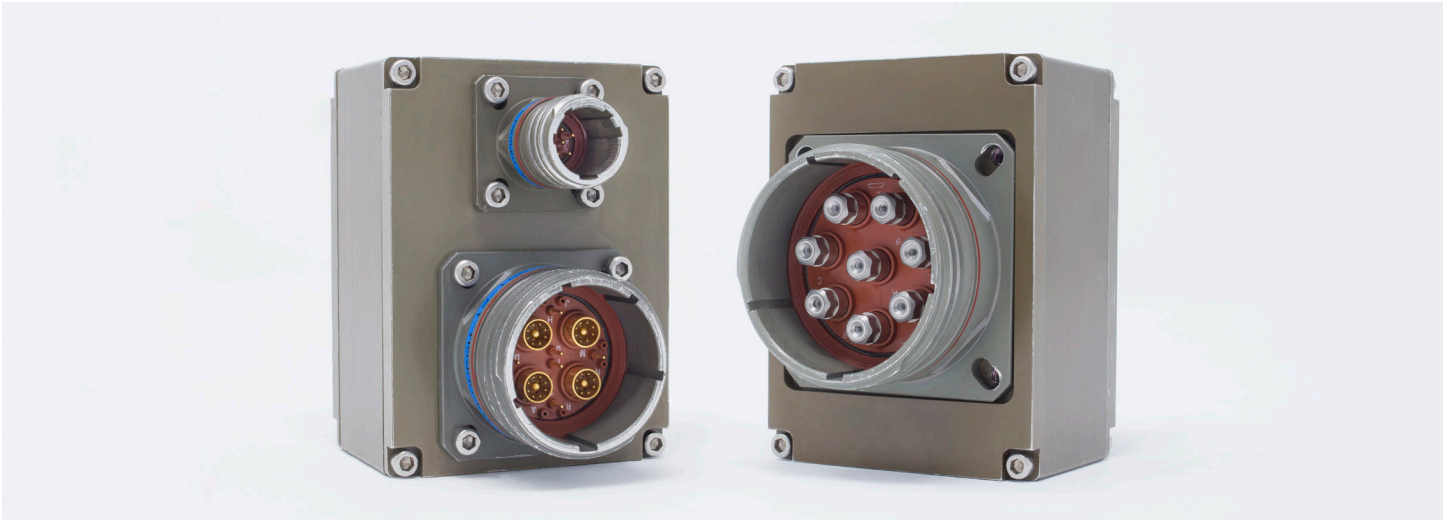


8-CHANNEL ETHERNET SWITCH & COPPER-TO-FIBER MEDIA CONVERTER

PDS -292



Amphenol introduces a new 10/100/1G Ethernet switch with four 10/100/1000-Base-T ports and four 1G capable fiber ports.

These converter switch can be used in harsh environment avionics, ground systems, or naval applications that need to transmit and receive such encoded interfaces over fiber optic cables.

Stand-Alone Rugged 8-Channel Copper and Fiber Ethernet Switch

Part Number: CF-020010-32N

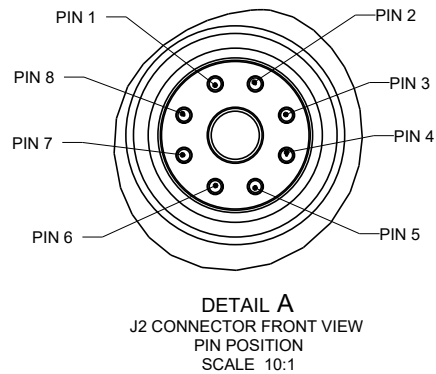
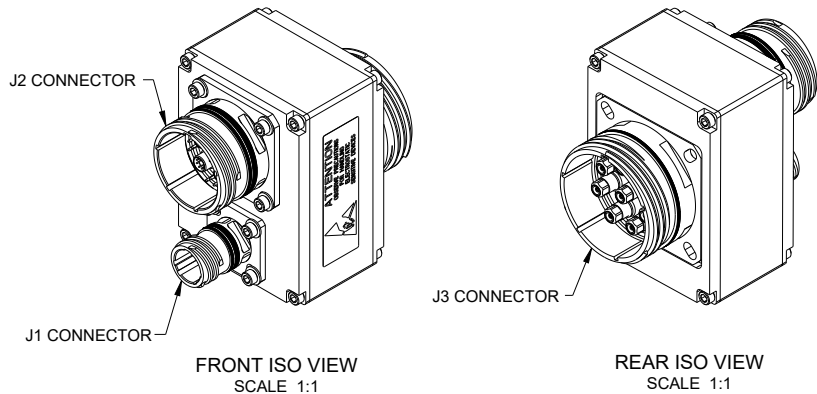
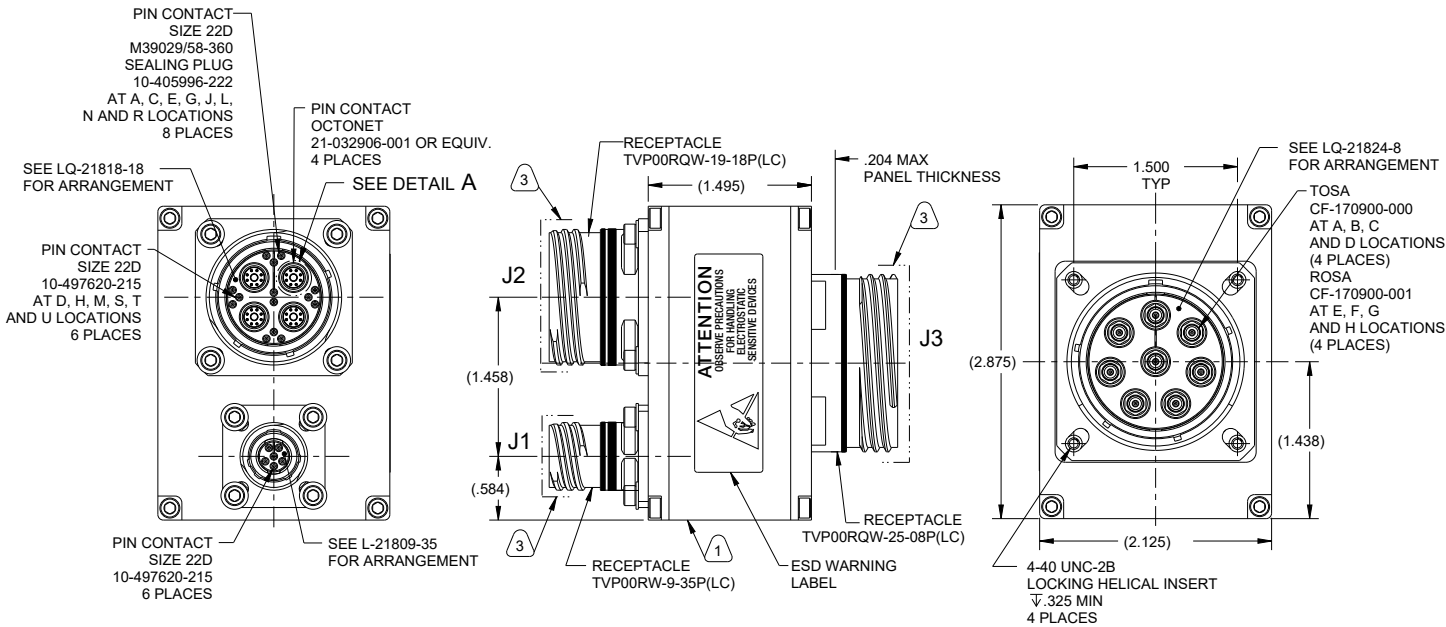
- Eight channel Ethernet Switch built around the Marvell Link Street 88E6390X device with support for four IEEE connections for copper Base-T and fiber optics which is 850nm multi-mode technology.
- Parts can be modified to support various platings, rotations, mounting provisions, modes of fiber, and different combinations of numbers of copper and fiber ports.
- Four channels of Base-T Ethernet come in on separate connector with Amphenol Octonet Contacts which support up to 10G-Base-T connections.
- Four channels of 850nm multimode fiber Ethernet come in on separate connector utilizing Amphenol CTF-Quadrax copper to fiber technology.
- 28V power comes in on separate standard 38999 connector
- -40C - +85C operating temperature and meant for military/commercial aerospace environments.

Stand-Alone Rugged Four Channel Media Converter

Part Number: CF-020010-73N

- Same as -32N above, except there is no switch functionality. Ports are statically mapped from copper to fiber per the block diagram.

CF-020011-32N & CF-020010-73N

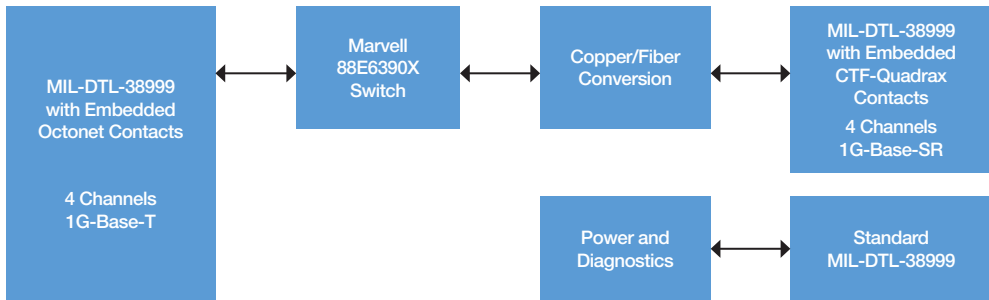


J1 CONNECTOR	
ID	Description
1	Chassis_GND
2	Chassis_GND
3	Chassis_GND
4	Chassis_GND
5	28VIN
6	GND

J2 CONNECTOR	
ID	Description
B1	CH4_A_1GBASE-T_P
B2	CH4_A_1GBASE-T_N
B3	CH4_B_1GBASE-T_P
B4	CH4_B_1GBASE-T_N
B5	CH4_C_1GBASE-T_P
B6	CH4_C_1GBASE-T_N
B7	CH4_D_1GBASE-T_P
B8	CH4_D_1GBASE-T_N
F1	CH3_A_1GBASE-T_P
F2	CH3_A_1GBASE-T_N
F3	CH3_B_1GBASE-T_P
F4	CH3_B_1GBASE-T_N
F5	CH3_C_1GBASE-T_P
F6	CH3_C_1GBASE-T_N
F7	CH3_D_1GBASE-T_P
F8	CH3_D_1GBASE-T_N

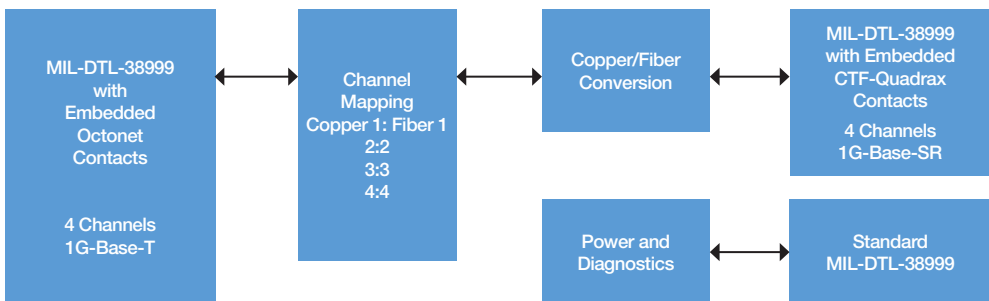
J2 CONNECTOR	
ID	Description
K1	CH2_A_1GBASE-T_P
K2	CH2_A_1GBASE-T_N
K3	CH2_B_1GBASE-T_P
K4	CH2_B_1GBASE-T_N
K5	CH2_C_1GBASE-T_P
K6	CH2_C_1GBASE-T_N
K7	CH2_D_1GBASE-T_P
K8	CH2_D_1GBASE-T_N
P1	CH1_A_1GBASE-T_P
P2	CH1_A_1GBASE-T_N
P3	CH1_B_1GBASE-T_P
P4	CH1_B_1GBASE-T_N
P5	CH1_C_1GBASE-T_P
P6	CH1_C_1GBASE-T_N
P7	CH1_D_1GBASE-T_P
P8	CH1_D_1GBASE-T_N

CF-020011-32N



J3 CONNECTOR	
ID	Description
A	CH_6_1GBASE-SX_TX
B	CH_5_1GBASE-SX_TX
C	CH_7_1GBASE-SX_TX
D	CH_8_1GBASE-SX_TX
E	CH_8_1GBASE-SX_RX
F	CH_7_1GBASE-SX_RX
G	CH_6_1GBASE-SX_RX
H	CH_5_1GBASE-SX_RX

CF-020010-73N



J3 CONNECTOR	
ID	Description
A	CH_2_1GBASE-SX_TX
B	CH_1_1GBASE-SX_TX
C	CH_3_1GBASE-SX_TX
D	CH_4_1GBASE-SX_TX
E	CH_4_1GBASE-SX_RX
F	CH_3_1GBASE-SX_RX
G	CH_2_1GBASE-SX_RX
H	CH_1_1GBASE-SX_RX

Amphenol Aerospace

40-60 Delaware Avenue

Sidney, NY 13838

amphenol-aerospace.com | amphenolmao.com