

REV. A	SHEET 1 OF 2	DOCUMENT NO. RVPX-P08VXX
REVISIONS M		
LTR	DESCRIPTION	DATE
A	INITIAL RELEASE	11-FEB-16

DOCUMENT NO. RVPX-P08VXX

SHEET 1 OF 2

REV. A

C

B

A

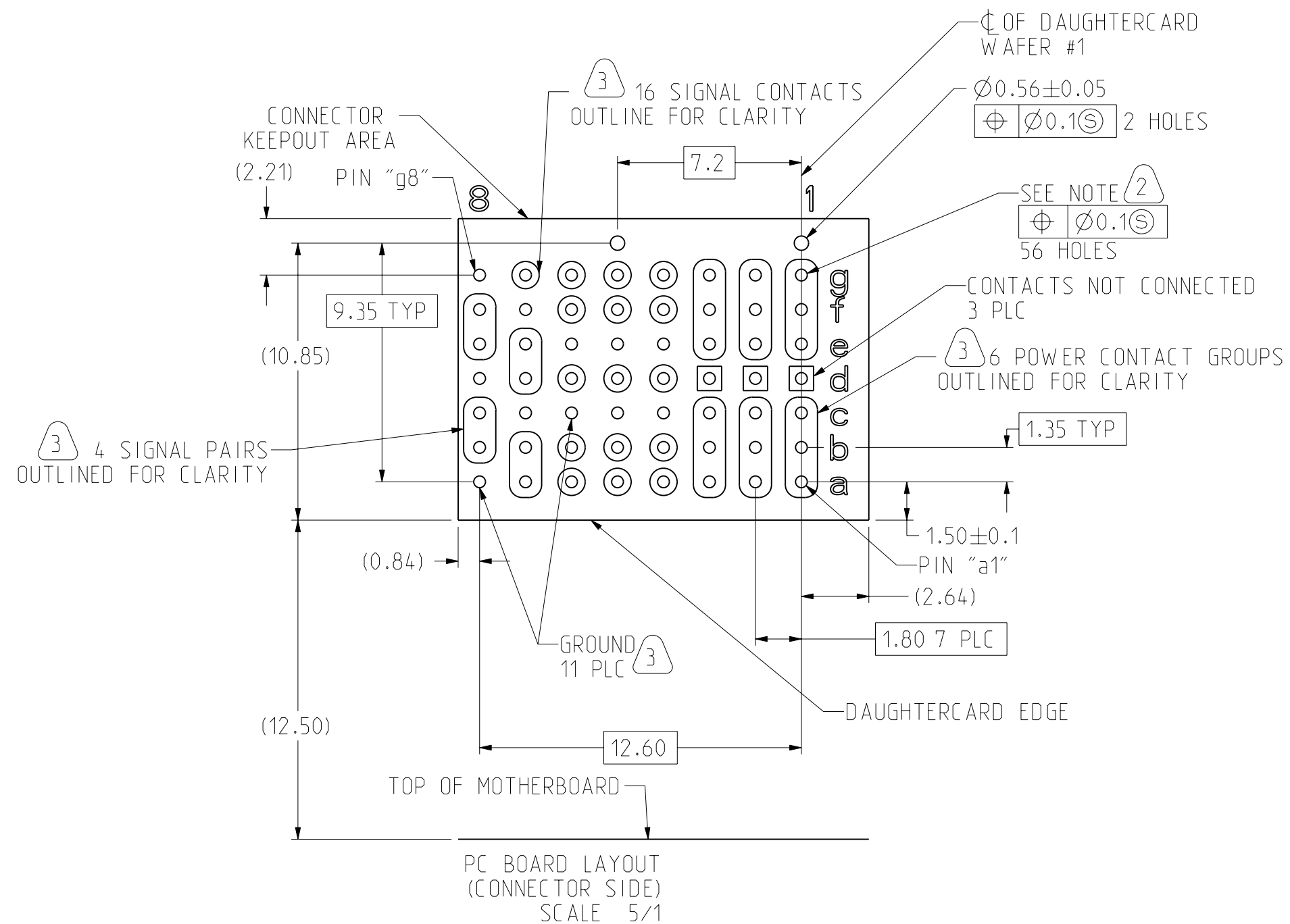
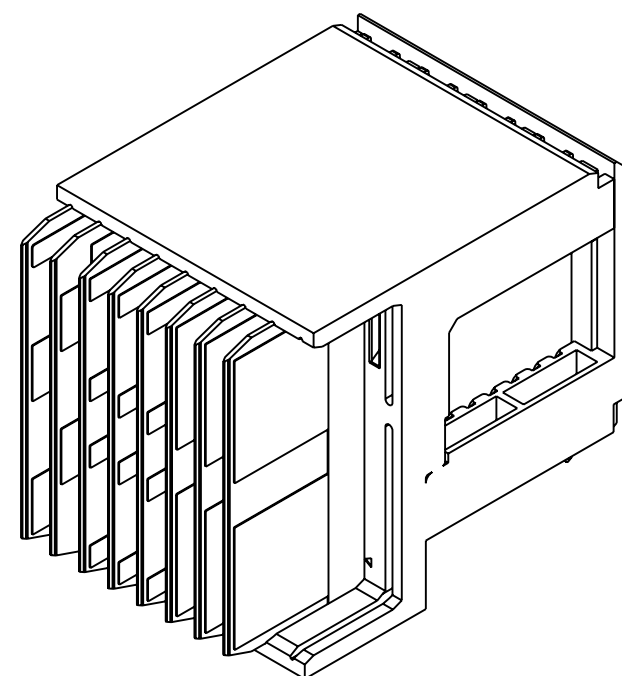


TABLE 1  
INTERCONNECTIONS WITH BACKPLANE  
CONNECTOR RVPX-J08EXX

TYPICAL INTERCONNECTIONS FOR COLUMN (WAFER): 8		
CONTACT USAGE	DAUGHTERCARD CONNECTOR PIN	BACKPLANE CONNECTOR PIN
SIGNAL PAIR	bx	cx
SIGNAL PAIR	ex	gx
SIGNAL PAIR	fx	hx
GROUND	ax, dx, gx, (ALL COMMONED)	ax, bx, ex, fx, ix

TYPICAL INTERCONNECTIONS FOR COLUMN (WAFER): 7		
CONTACT USAGE	DAUGHTERCARD CONNECTOR PIN	BACKPLANE CONNECTOR PIN
SIGNAL PAIR	ax	ax
SIGNAL PAIR	bx	bx
SIGNAL PAIR	dx	ex
SIGNAL PAIR	ex	fx
SIGNAL	gx	ix
GROUND	cx, fx, (ALL COMMONED)	cx, dx, gx, hx

TYPICAL INTERCONNECTIONS FOR COLUMN (WAFER): 4, 5, 6		
CONTACT USAGE	DAUGHTERCARD CONNECTOR PIN	BACKPLANE CONNECTOR PIN
SIGNAL	ax	bx
SIGNAL	bx	cx
SIGNAL	dx	ex
SIGNAL	fx	gx
SIGNAL	gx	hx
GROUND	cx, ex, (ALL COMMONED)	ax, dx, fx, ix

TYPICAL INTERCONNECTIONS FOR COLUMN (WAFER): 1, 2, 3		
CONTACT USAGE	DAUGHTERCARD CONNECTOR PIN	BACKPLANE CONNECTOR PIN
POWER	ax, bx, cx	ax, bx, cx, dx
POWER	ex, fx, gx	fx, gx, hx, ix
NOT CONNECTED	dx	ex

NOTE: "x" DESIGNATES THE COLUMN NUMBER

TABLE 2

PLATING THICKNESS AND MATERIAL BY PART NUMBER			
PART NUMBER	GOLD IN CONTACT AREA	COMPLIANT	NICKEL OVERALL
RVPX-P08VM1	50 µ-INCH MIN	50 µ-INCH MIN TIN	50 µ-INCH MIN
RVPX-P08VM2	50 µ-INCH MIN	50 µ-INCH MIN TIN-LEAD	50 µ-INCH MIN
RVPX-P08VC1	50 µ-INCH MIN	50 µ-INCH MIN TIN	50 µ-INCH MIN
RVPX-P08VC2	50 µ-INCH MIN	50 µ-INCH MIN TIN-LEAD	50 µ-INCH MIN

- 4 SEE TABLE 2 FOR PART NUMBER AND FINISHES
- 3 SEE TABLE 1 FOR INTERCONNECTIONS TO BACKPLANE CONNECTOR
- 2 PTH CALLOUT  
TYPICAL HOLE  
Ø0.63-.67 DRILL  
Ø0.46 ±.05 FINISH HOLE  
Ø0.92 PAD
- 1 HOUSING: GLASS FILLED LCP, UL94 - V0  
CONTACT: Cu ALLOY  
POST: STAINLESS STEEL, PASSIVATED

THE USE OF THIS DOCUMENT IS UNLIMITED. HOWEVER, DOCUMENTS REFERENCED HEREON MAY CONTAIN LIMITED RIGHTS DATA.

N/A  
NEXT ASSEMBLY

PRO/ENGINEER INFORMATION  
Pro/e Model Used:  
P1233-426-0008-001.ATCS-1.PART  
Drawing Name:  
RVPX-P08VXX

UNLESS OTHERWISE SPECIFIED  
SPECIFICATIONS  
POS QTY PART NUMBER DESCRIPTION NOTE

LINEAR DIMENSIONS ARE IN MILLIMETERS  
TOLERANCES:  
.XXXX = ±. - ANGLES= ±1°  
.XXX = ±. -  
.XX = ±.13  
.X = ±.5

DIM. & TOL. PER ASME Y14.5M;  
DRM PER MIL-DTL-31000;  
OTHER Amphenol Stds. PER 9-3800

LEGENDS:  
= FLAG NOTE CALL OUT REFERENCE ONLY

MATERIAL SPEC.  
N/A

PROCESS SPEC.  
9-3895  
9-3856-5

APPROVALS  
PREPARED BY S. LANGELIER  
ENGINEER IN CHARGE S. LANGELIER  
DESIGN MANAGER J. PAUL  
DESIGN ACTIVITY GROUP BOARD LEVEL  
THIRD ANGLE PROJECTION

DATE 22-SEP-15

PARTS LIST  
**AMPHENOL CORPORATION**  
40-60 DELAWARE AVENUE  
SIDNEY, N.Y. 13858

**RIGHT-ANGLE PLUG ASSEMBLY  
HALF LEFT END, RVPX  
DAUGHTERCARD CONNECTOR, VITA 46**

SIZE C CAGE CODE 77820 DOCUMENT NO. RVPX-P08VXX REV. A  
SCALE: 5.0 REF. NONE SHEET 1 OF 2

FORMAT: C-U-E-1

DOCUMENT NO. RVPX-P08VXX

SHEET 1 OF 2

REV. A

REVISION 0

REVISION A

Eng PDM Information For Reference Only

REV. A

SHEET 1 OF 2

DOCUMENT NO. RVPX-P08VXX

RVPX-P08VXX

SHEET 2 OF 2

REV. A

C

B

A

D

C

6

A

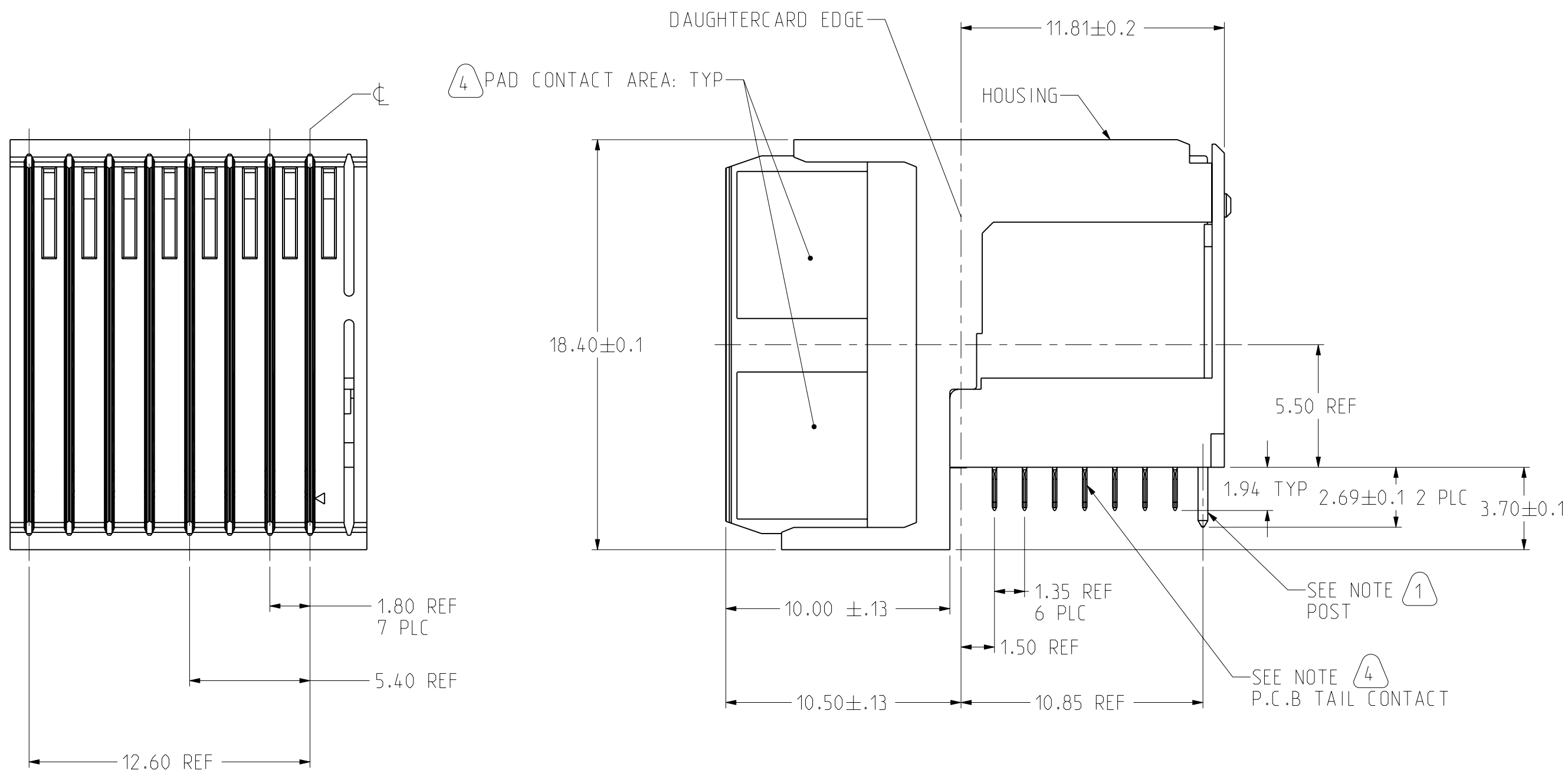
Eng. PDM Information For Reference Only

REV. A

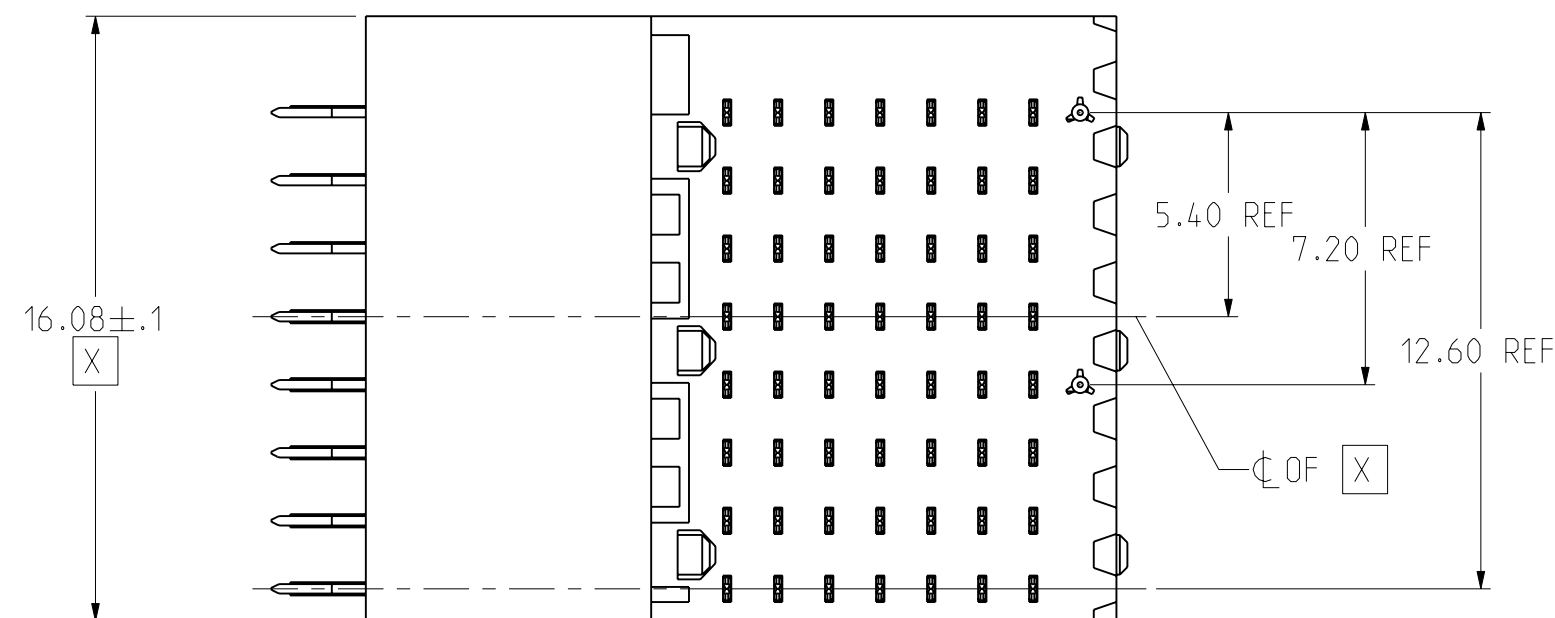
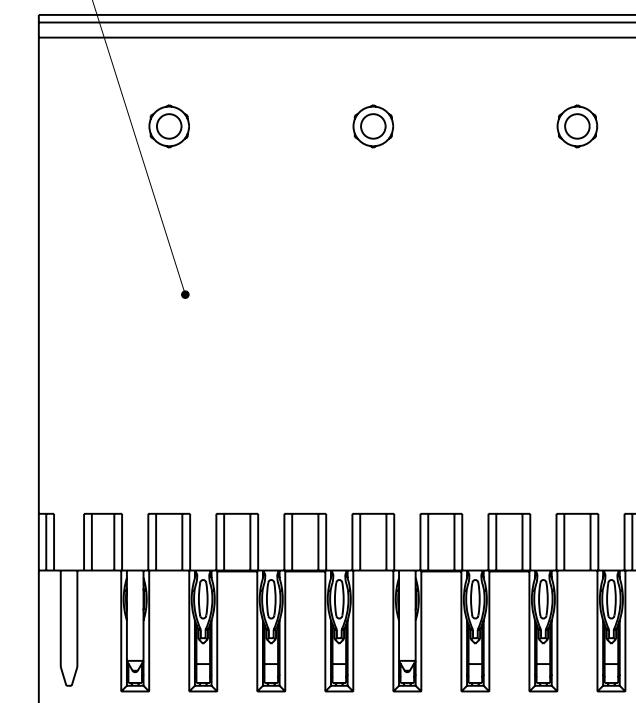
SHEET 2 OF 2

RVPX-P08VXX

REV. A



PART MARKING AS FOLLOWS  
 AMPHENOL 77820  
 'AAO PART NUMBER' (SEE TABLE 1)  
 'DATE CODE'  
 'WORK ORDER NUMBER AS LOT NUMBER'



NOTES: SEE SHEET 1

THE USE OF THIS DOCUMENT IS UNLIMITED.  
 HOWEVER, DOCUMENTS REFERENCED HEREON  
 MAY CONTAIN LIMITED RIGHTS DATA.

FORMAT: C-0-U-E-1

RVPX-P08VXX

SHEET 2 OF 2

REV. A