

REV. A		SHEET 1 OF 2		DOCUMENT NO. RVPX-P16DXX	
REVISIONS M					
LTR	DESCRIPTION			DATE	
A	INITIAL RELEASE			11-FEB-16	

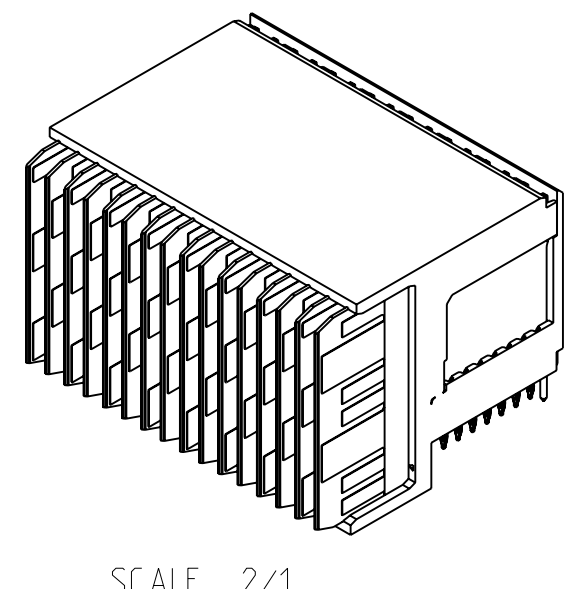
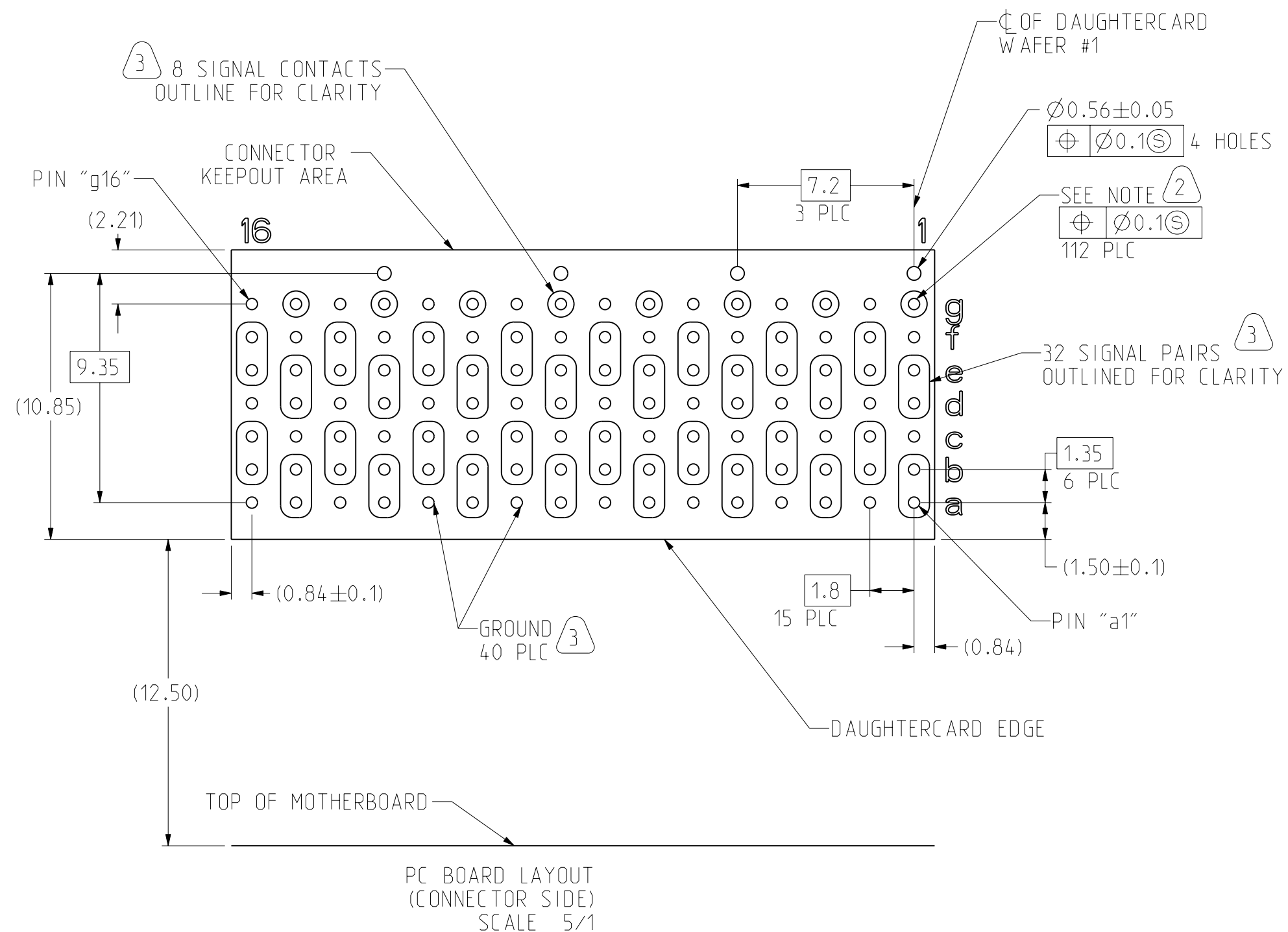


TABLE 1
INTERCONNECTIONS WITH BACKPLANE
CONNECTOR RVPX-J16MXX

TYPICAL INTERCONNECTIONS FOR COLUMN (WAFER): 2, 4, 6, 8, 10, 12, 14, 16		
CONTACT USAGE	DAUGHTERCARD CONNECTOR PIN	BACKPLANE CONNECTOR PIN
SIGNAL PAIR	bx	cx
	cx	dx
SIGNAL PAIR	ex	gx
	fx	hx
GROUND	ax, dx, gx, (ALL COMMONED)	ax, bx, ex, fx, ix

TYPICAL INTERCONNECTIONS FOR COLUMN (WAFER): 1, 3, 5, 7, 9, 11, 13, 15		
CONTACT USAGE	DAUGHTERCARD CONNECTOR PIN	BACKPLANE CONNECTOR PIN
SIGNAL PAIR	ax	ax
	bx	bx
SIGNAL PAIR	dx	ex
	ex	fx
SIGNAL	gx	ix
GROUND	cx, fx, (ALL COMMONED)	cx, dx, gx, hx

NOTE: "x" DESIGNATES THE COLUMN NUMBER

TABLE 2
PLATING THICKNESS AND MATERIAL BY PART NUMBER

PART NUMBER	GOLD IN CONTACT AREA	COMPLIANT	NICKEL OVERALL
RVPX-P16DM1	50 μ-INCH MIN	50 μ-INCH MIN TIN	50 μ-INCH MIN
RVPX-P16DM2	50 μ-INCH MIN	50 μ-INCH MIN TIN-LEAD	50 μ-INCH MIN
RVPX-P16DC1	30 μ-INCH MIN	50 μ-INCH MIN TIN	50 μ-INCH MIN
RVPX-P16DC2	30 μ-INCH MIN	50 μ-INCH MIN TIN-LEAD	50 μ-INCH MIN

- 4 SEE TABLE 2 FOR PART NUMBER AND FINISHES
- 3 SEE TABLE 1 FOR INTERCONNECTIONS TO BACKPLANE CONNECTOR
- 2 PTH CALLOUT
TYPICAL HOLE
Ø0.63-.67 DRILL
Ø0.46 ±.05 FINISH HOLE
Ø0.92 PAD
- 1 HOUSING: GLASS FILLED LCP, UL94 - V0
CONTACT: CU ALLOY
POST: STAINLESS STEEL, PASSIVATED

THE USE OF THIS DOCUMENT IS UNLIMITED. HOWEVER, DOCUMENTS REFERENCED HEREON MAY CONTAIN LIMITED RIGHTS DATA.

N/A	PRO/ENGINEER INFORMATION Pro/e Model Used: P1233-426-0008-001.ATCS.PART Drawing Name: RVPX-P16DX
NEXT ASSEMBLY	

UNLESS OTHERWISE SPECIFIED	SPECIFICATIONS	POS	QTY	PART NUMBER	DESCRIPTION	NOTE
LINEAR DIMENSIONS ARE IN MILLIMETERS TOLERANCES: .XXXX = ±. - ANGLES= ±1° .XXX = ±. - .XX = ±.13 .X = ±.5	MATERIAL SPEC. N/A	APPROVALS		DATE	PARTS LIST	
	PROCESS SPEC. 9-3895 9-3856-5	PREPARED BY S. LANGELIER	ENGINEER IN CHARGE S. LANGELIER	DESIGN MANAGER J. PAUL	22-SEP-15	AMPHENOL CORPORATION 40-60 DELAWARE AVENUE SIDNEY, NY, 13858
DIM. & TOL. PER ASME Y14.5M; DRM PER MIL-DTL-31000; OTHER Amphenol Stds. PER 9-3800		THIRD ANGLE PROJECTION		RIGHT-ANGLE PLUG ASSEMBLY CENTER, RVPX DAUGHTERCARD CONNECTOR, DIFFERENTIAL		
LEGENDS: = FLAG NOTE CALL OUT REFERENCE ONLY		SIZE C		CAGE CODE 77820	DOCUMENT NO. RVPX-P16DXX	REV. A
		SCALE: 5.0		REF. NONE	SHEET 1 OF 2	

RVPX-P16DXX DOCUMENT NO. SHEET 1 OF 2 REV. A

REVISION 0 REV. A Eng. PDM Information For Reference Only SHEET 1 OF 2 RVPX-P16DXX

DOCUMENT NO. RVPX-P16DXX

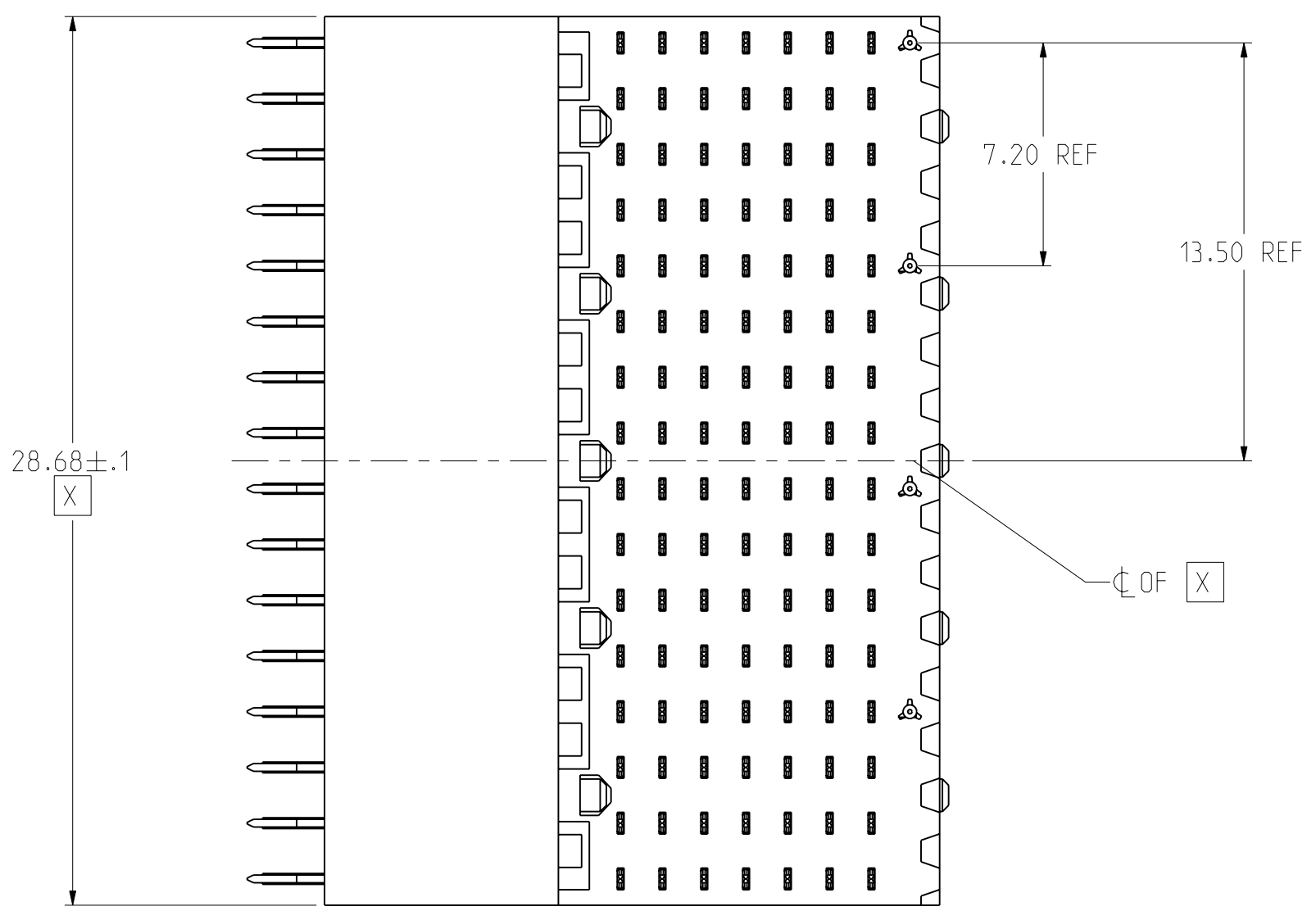
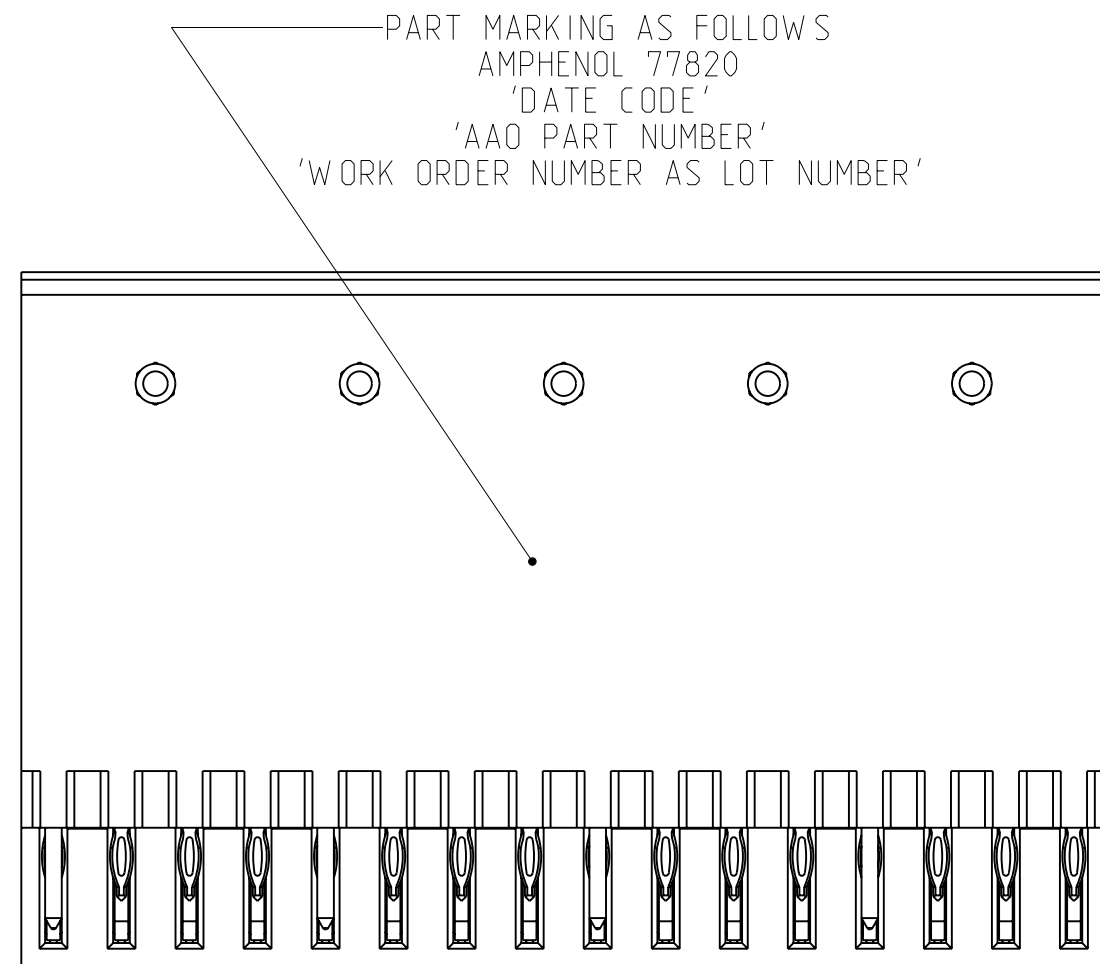
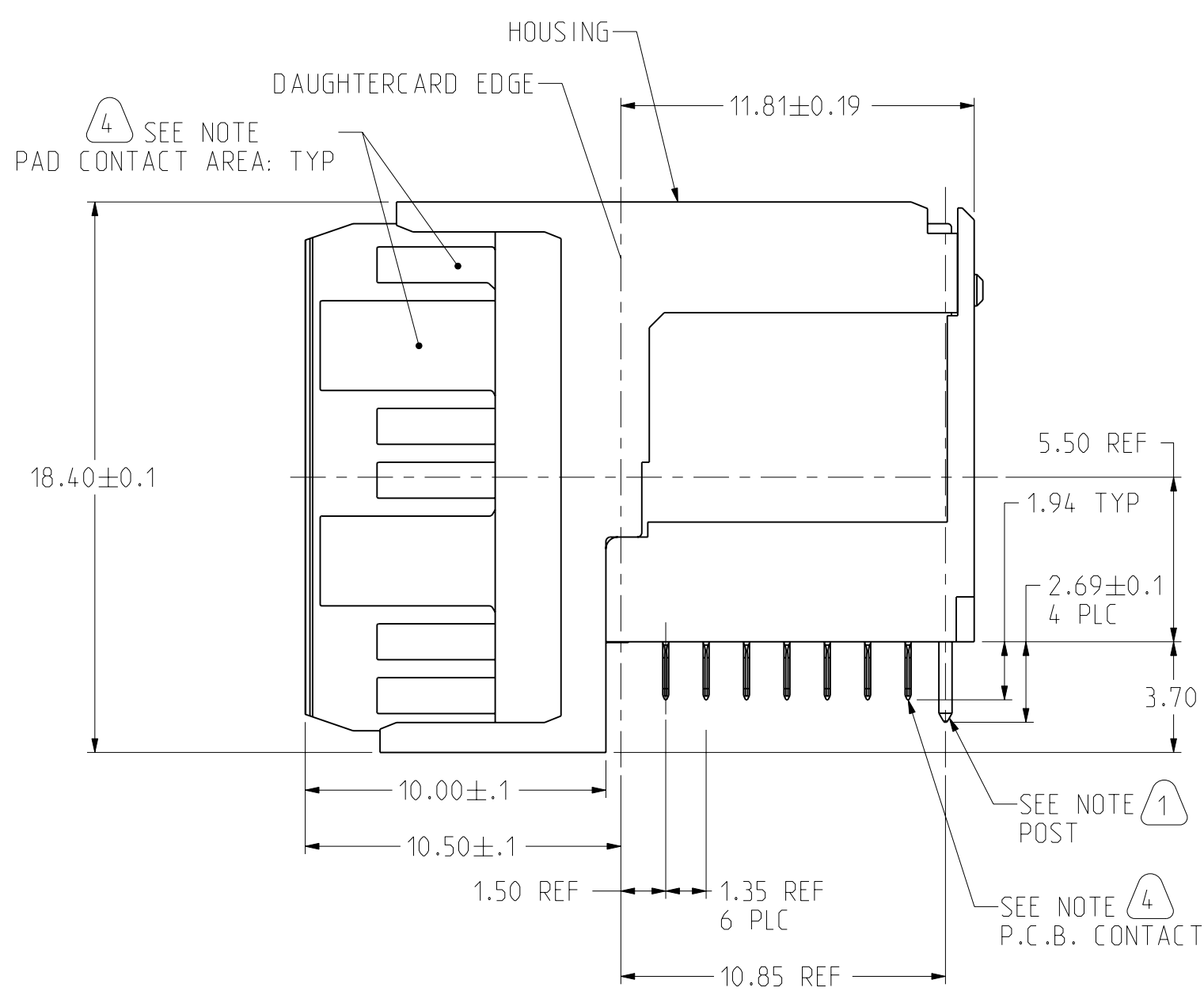
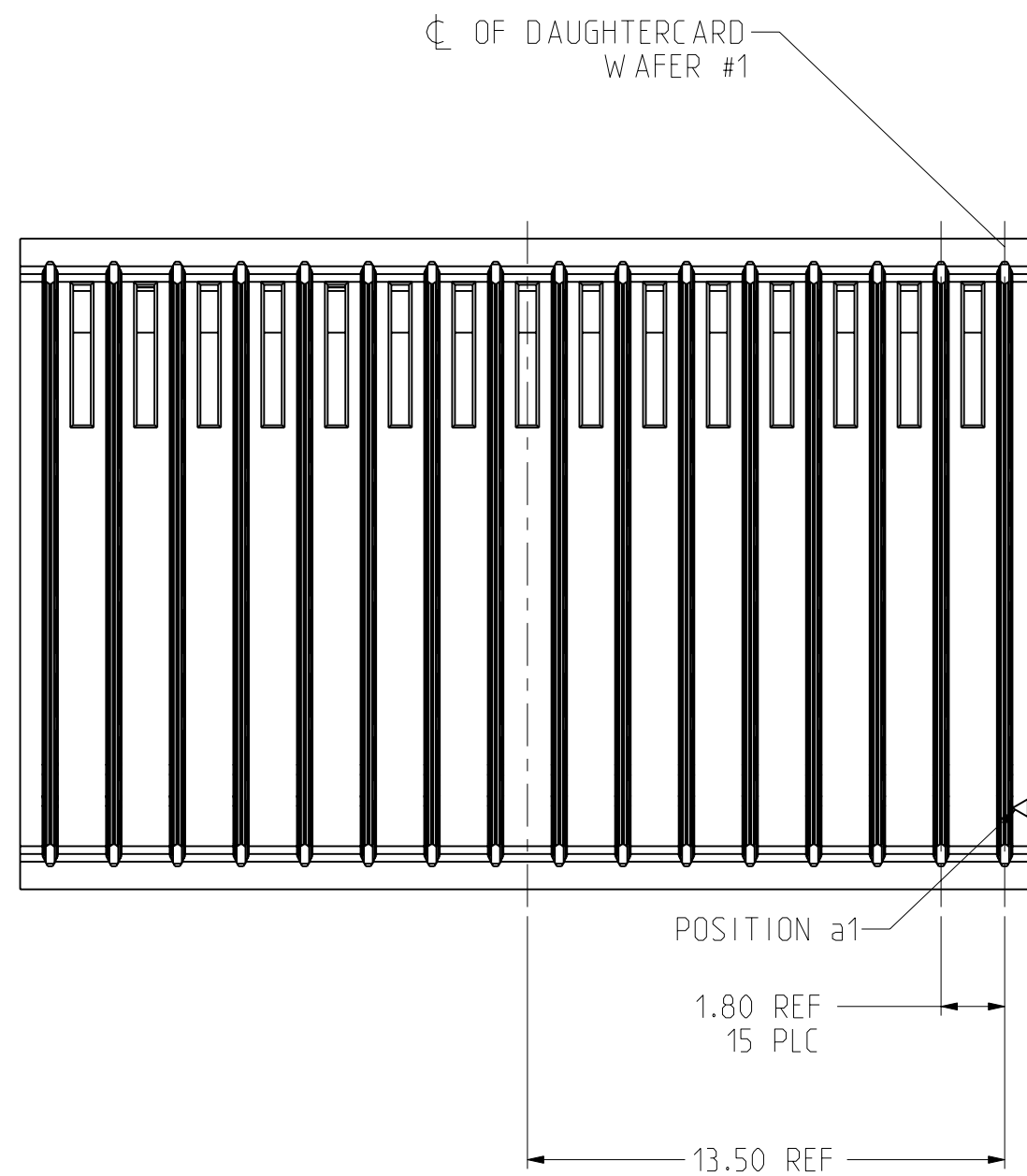
SHEET 2 OF 2

REV. A

C

B

A



NOTES: SEE SHEET 1

THE USE OF THIS DOCUMENT IS UNLIMITED. HOWEVER, DOCUMENTS REFERENCED HEREON MAY CONTAIN LIMITED RIGHTS DATA.

SIZE C	CAGE CODE 77820	DOCUMENT NO. RVPX-P16DXX	REV. A
SCALE: 5.0		REF: NONE	SHEET 2 OF 2

Eng. PDM Information For Reference Only

REV. A SHEET 2 OF 2

DOCUMENT NO. RVPX-P16DXX

REV. A