

REV. SHEET 1 OF 3		DOCUMENT NO. RVPX-P16SXX
REVISIONS M		
LTR	DESCRIPTION	DATE
A	INITIAL RELEASE	11-FEB-16

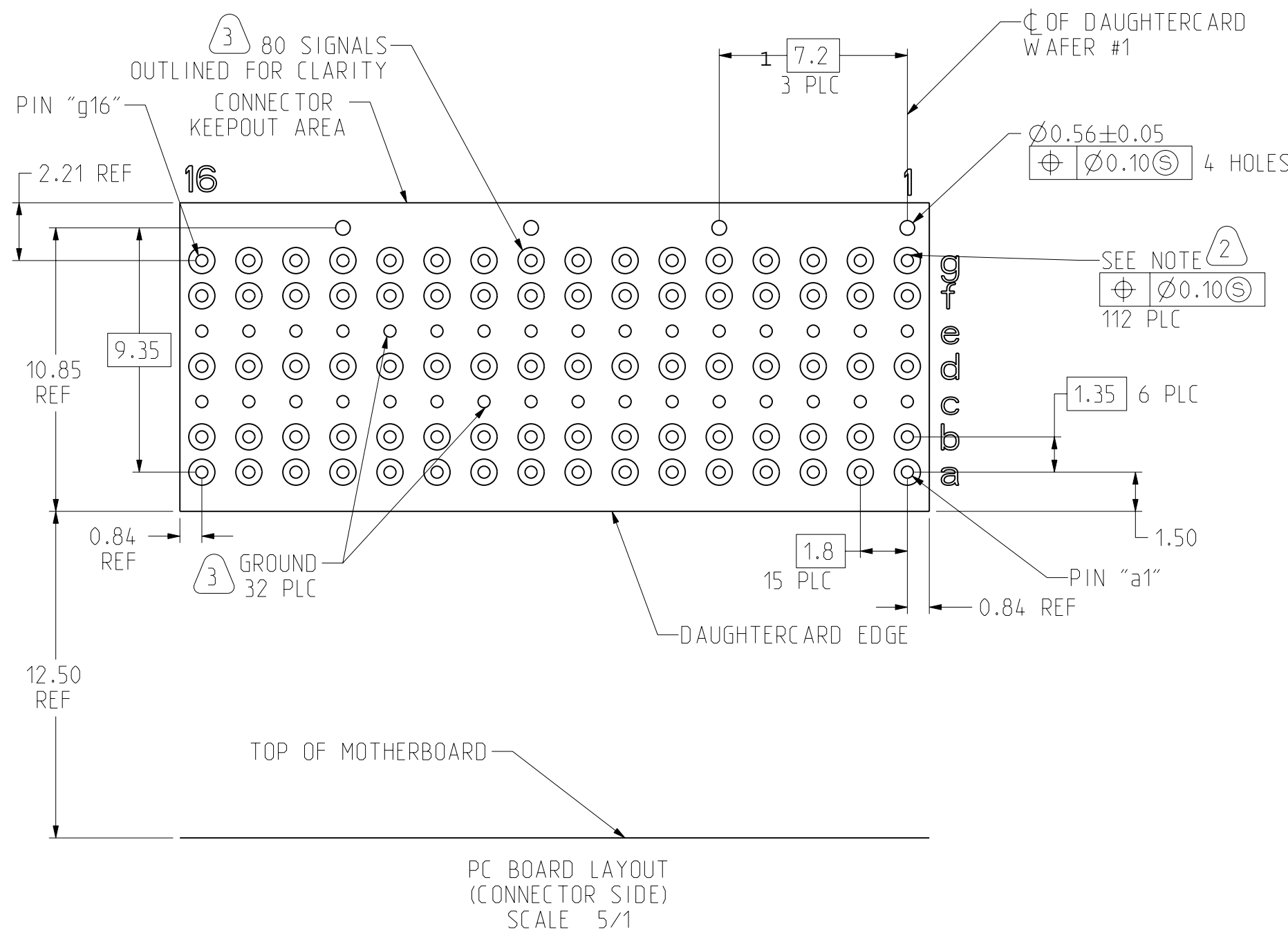
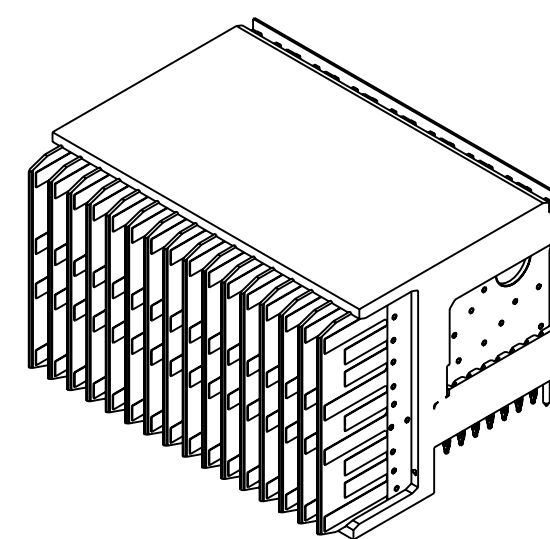
TABLE 1
INTERCONNECTIONS WITH BACKPLANE
CONNECTOR RVPX-J16MXX

TYPICAL INTERCONNECTIONS FOR COLUMN (WAFER): 1-16		
CONTACT USAGE	DAUGHTERCARD CONNECTOR PIN	BACKPLANE CONNECTOR PIN
SIGNAL	ax	bx
SIGNAL	bx	cx
SIGNAL	dx	ex
SIGNAL	fx	gx
SIGNAL	gx	hx
GROUND	cx, ex, (ALL COMMONED)	ax, dx, fx, ix

NOTE: "x" DESIGNATES THE COLUMN NUMBER

TABLE 2

PLATING THICKNESS AND MATERIAL BY PART NUMBER			
PART NUMBER	GOLD IN CONTACT AREA	COMPLIANT	NICKEL OVERALL
RVPX-P16SM1	50 μ-INCH MIN	50 μ-INCH MIN TIN	50 μ-INCH MIN
RVPX-P16SM2	50 μ-INCH MIN	50 μ-INCH MIN TIN-LEAD	50 μ-INCH MIN
RVPX-P16SC1	30 μ-INCH MIN	50 μ-INCH MIN TIN	50 μ-INCH MIN
RVPX-P16SC2	30 μ-INCH MIN	50 μ-INCH MIN TIN-LEAD	50 μ-INCH MIN



4 SEE TABLE 2 FOR PART NUMBER AND FINISHES

3 SEE TABLE 1 FOR INTERCONNECTIONS TO BACKPLANE CONNECTOR

2 PTH CALLOUT
TYPICAL HOLE
Ø0.63-.67 DRILL
Ø0.46 ±.05 FINISH HOLE
Ø0.92 PAD

1 HOUSING: GLASS FILLED LCP, UL94 - V0
CONTACT: CU ALLOY
POST: STAINLESS STEEL, PASSIVATED

NOTES:

THE USE OF THIS DOCUMENT IS UNLIMITED. HOWEVER, DOCUMENTS REFERENCED HEREON MAY CONTAIN LIMITED RIGHTS DATA.

N/A
NEXT ASSEMBLY

PRO/ENGINEER INFORMATION
Pro/e Model Used:
P1233-426-0008-001.ATCS.PART
Drawing Name:
RVPX-P16SXX

UNLESS OTHERWISE SPECIFIED	SPECIFICATIONS	POS	QTY	PART NUMBER	DESCRIPTION	NOTE
LINEAR DIMENSIONS ARE IN MILLIMETERS TOLERANCES: .XXXX = ±. - ANGLES= ±1° .XXX = ±. - .XX = ±.13 .X = ±.5 DIM. & TOL. PER ASME Y14.5M; DRM PER MIL-DTL-31000; OTHER Amphenol Stds. PER 9-3800 LEGENDS: =FLAG NOTE CALL OUT REFERENCE ONLY	MATERIAL SPEC. N/A	APPROVALS		DATE	PARTS LIST	
	PROCESS SPEC. 9-3856-5 9-3895	PREPARED BY S. LANGELIER	ENGINEER IN CHARGE S. LANGELIER	DESIGN MANAGER J. PAUL	22-SEP-15	AMPHENOL CORPORATION 40-60 DELAWARE AVENUE SIDNEY, NY, 13858 RIGHT-ANGLE PLUG ASSEMBLY CENTER, RVPX DAUGHTERCARD CONNECTOR, SINGLE ENDED
		THIRD ANGLE PROJECTION			SIZE C	CAGE CODE 77820
					DOCUMENT NO. RVPX-P16SXX	REV. A
					SCALE: 5.0	REF. NONE SHEET 1 OF 3

DOCUMENT NO. RVPX-P16SXX
 SHEET 1 OF 3
 REV. A
 Eng. PDM Information For Reference Only
 REVISION A
 VERSION 0

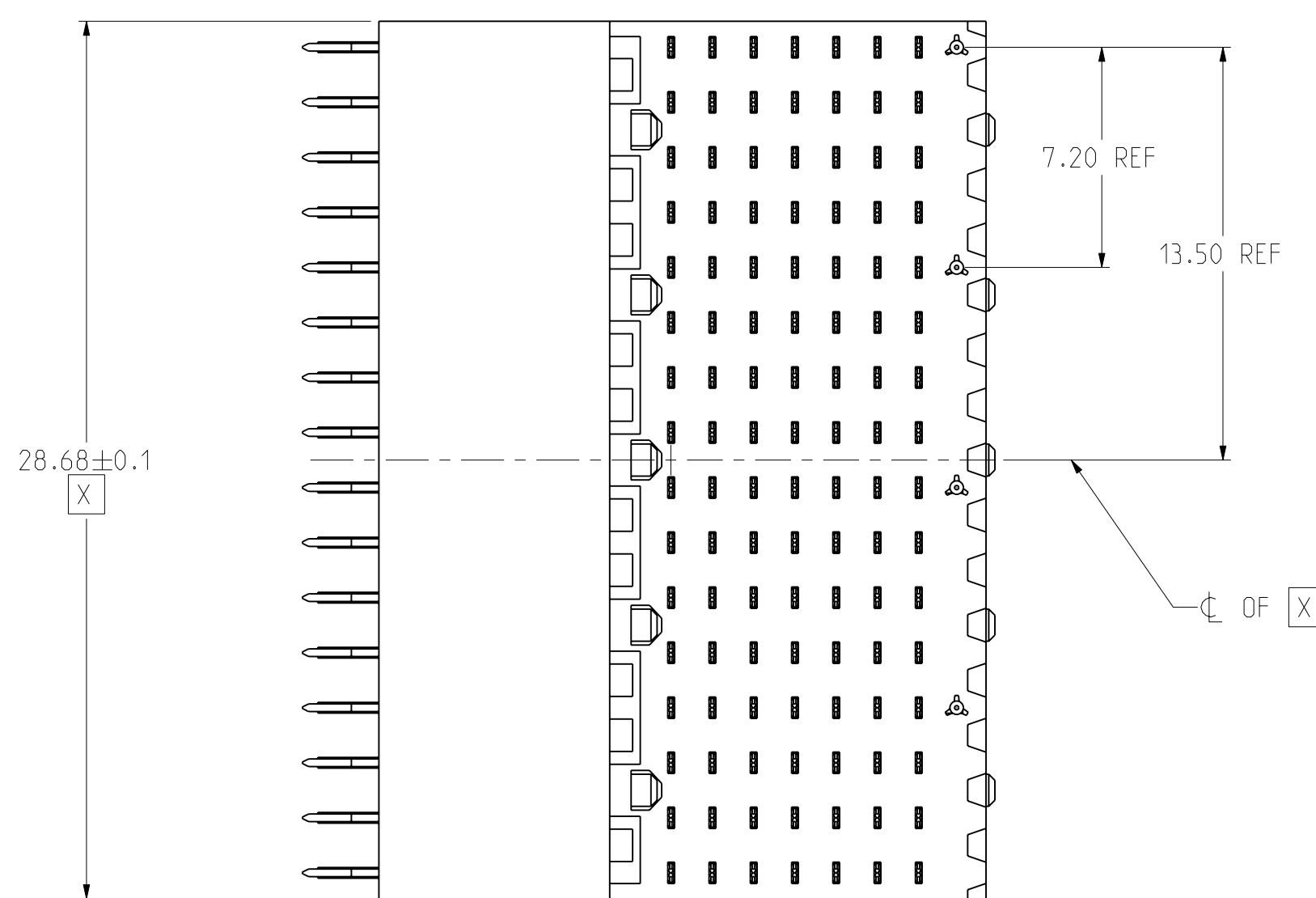
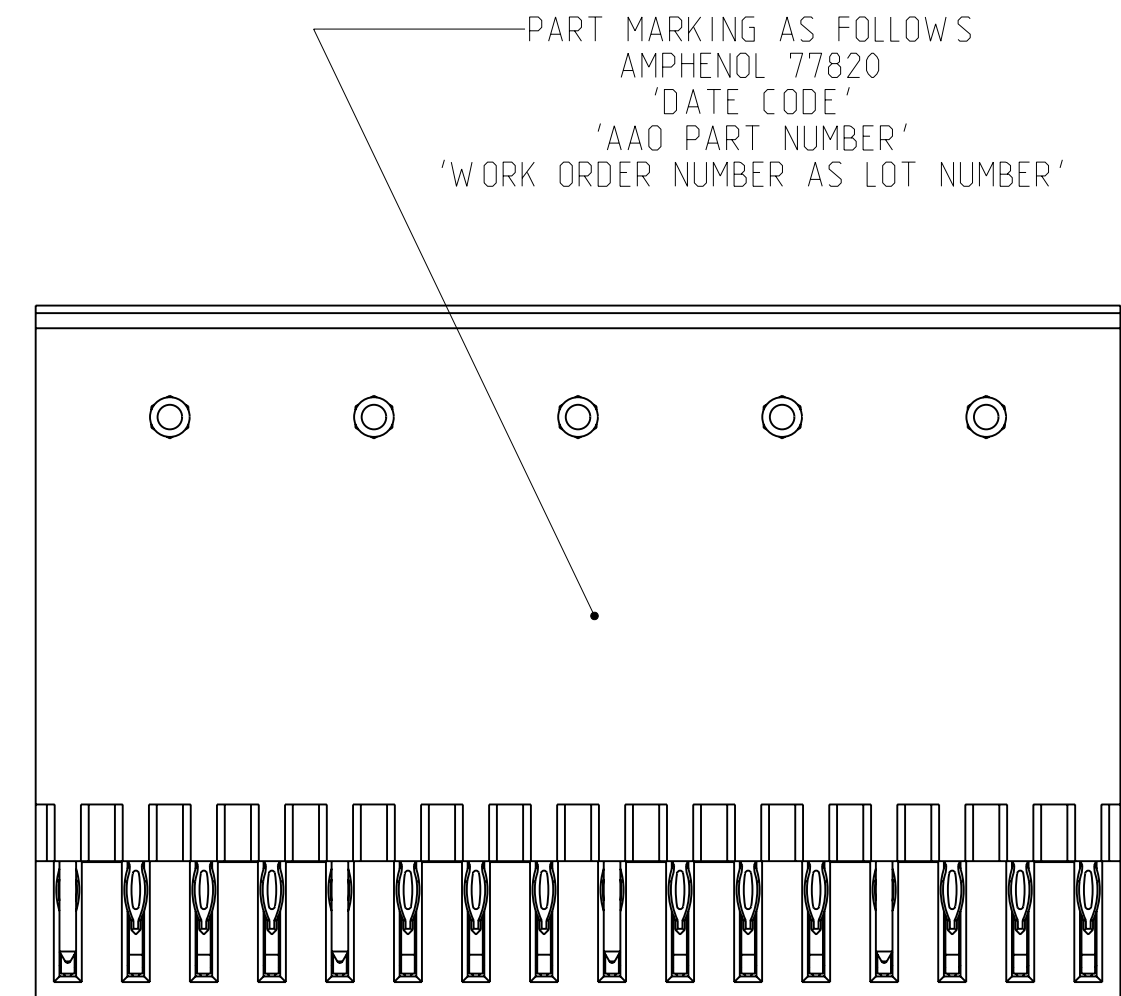
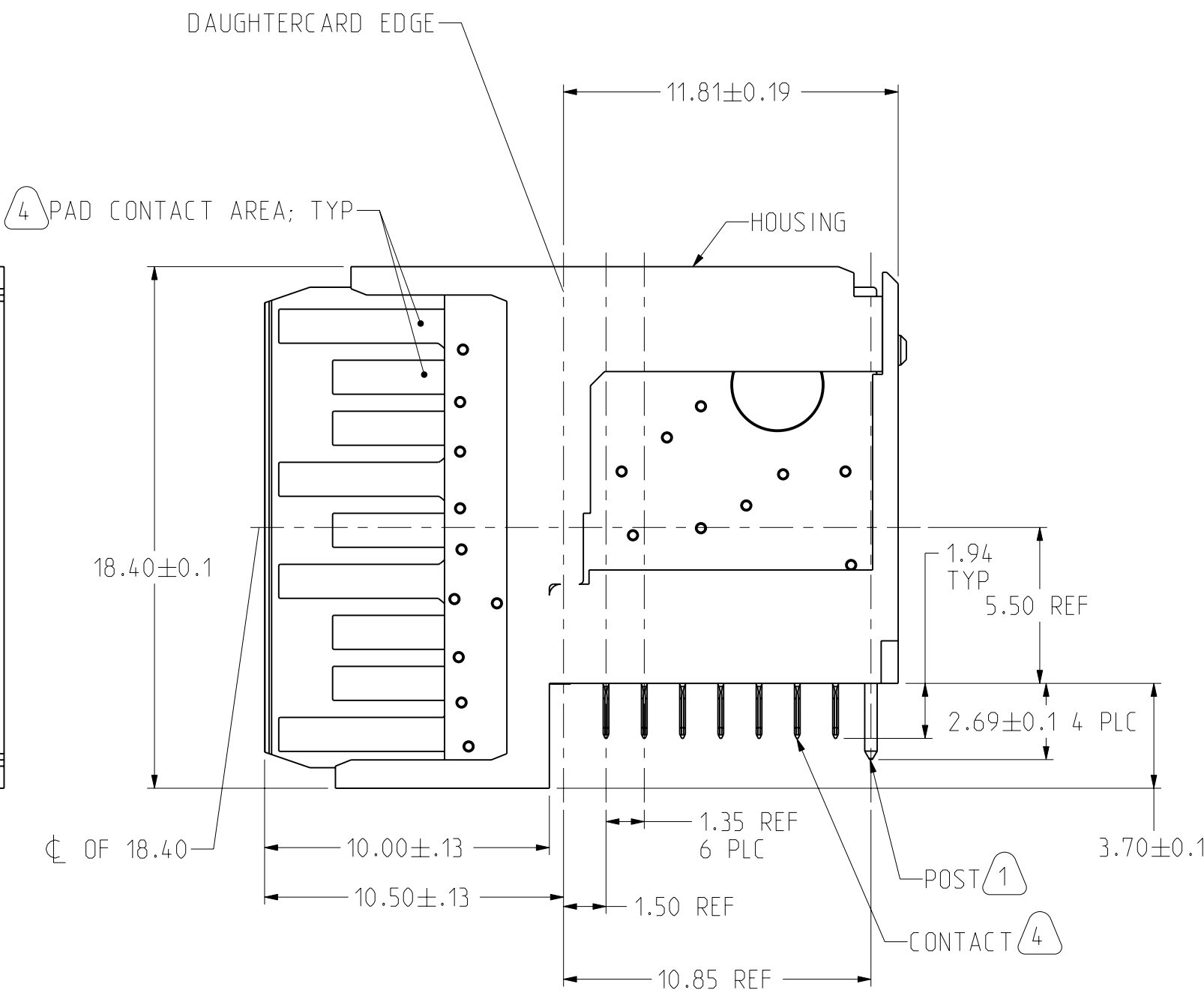
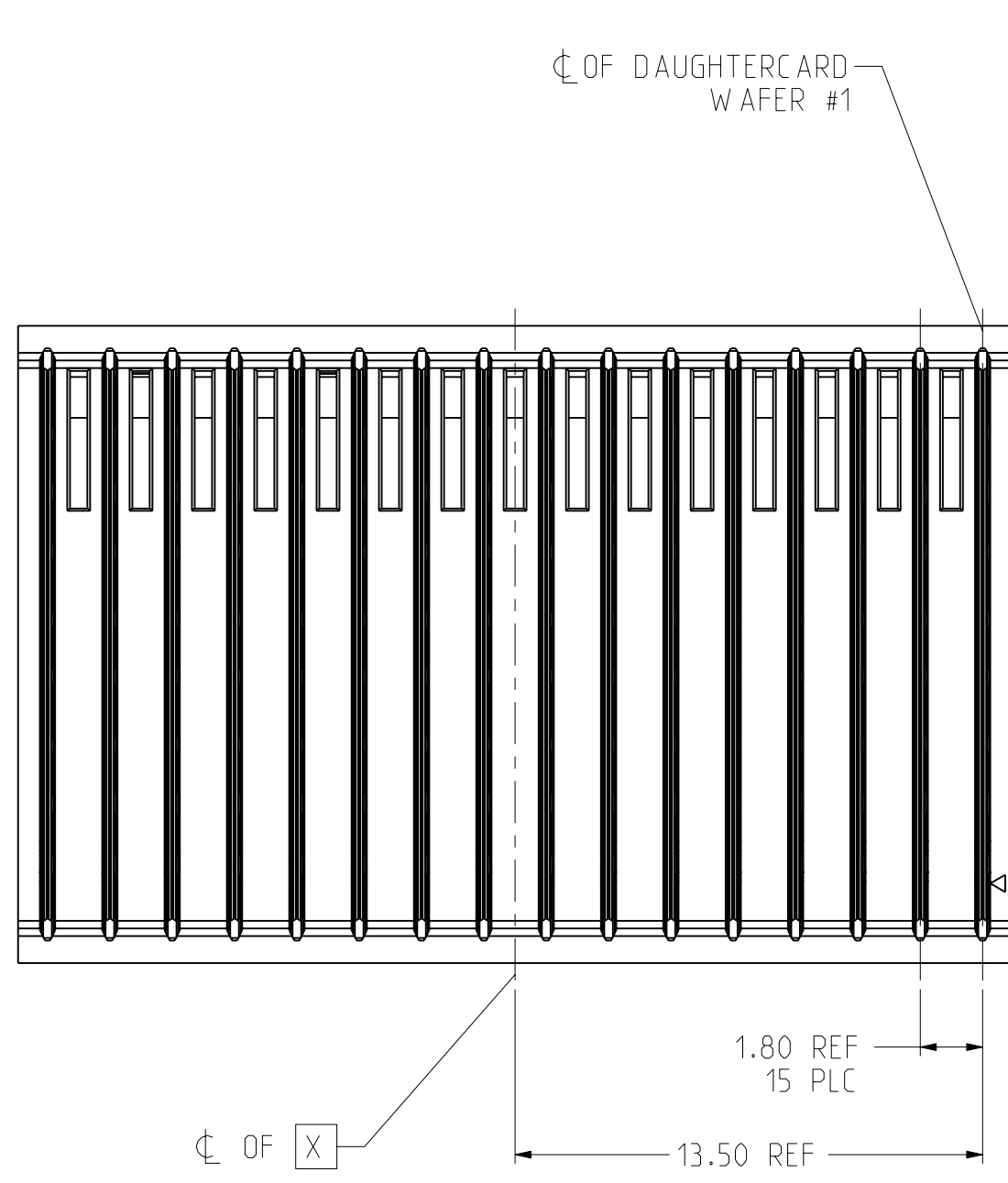
DOCUMENT NO. RVPX-P16SXX

SHEET 2 OF 3 REV. A

C

B

A



NOTES: SEE SHEET 1

THE USE OF THIS DOCUMENT IS UNLIMITED. HOWEVER, DOCUMENTS REFERENCED HEREON MAY CONTAIN LIMITED RIGHTS DATA.

FORMAT: C-0-U-E-1

DOCUMENT NO. RVPX-P16SXX

SHEET 2 OF 3

REV. A

SIZE C	CAGE CODE 77820	DOCUMENT NO. RVPX-P16SXX	REV. A
SCALE: 5.0		REF: NONE	SHEET 2 OF 3

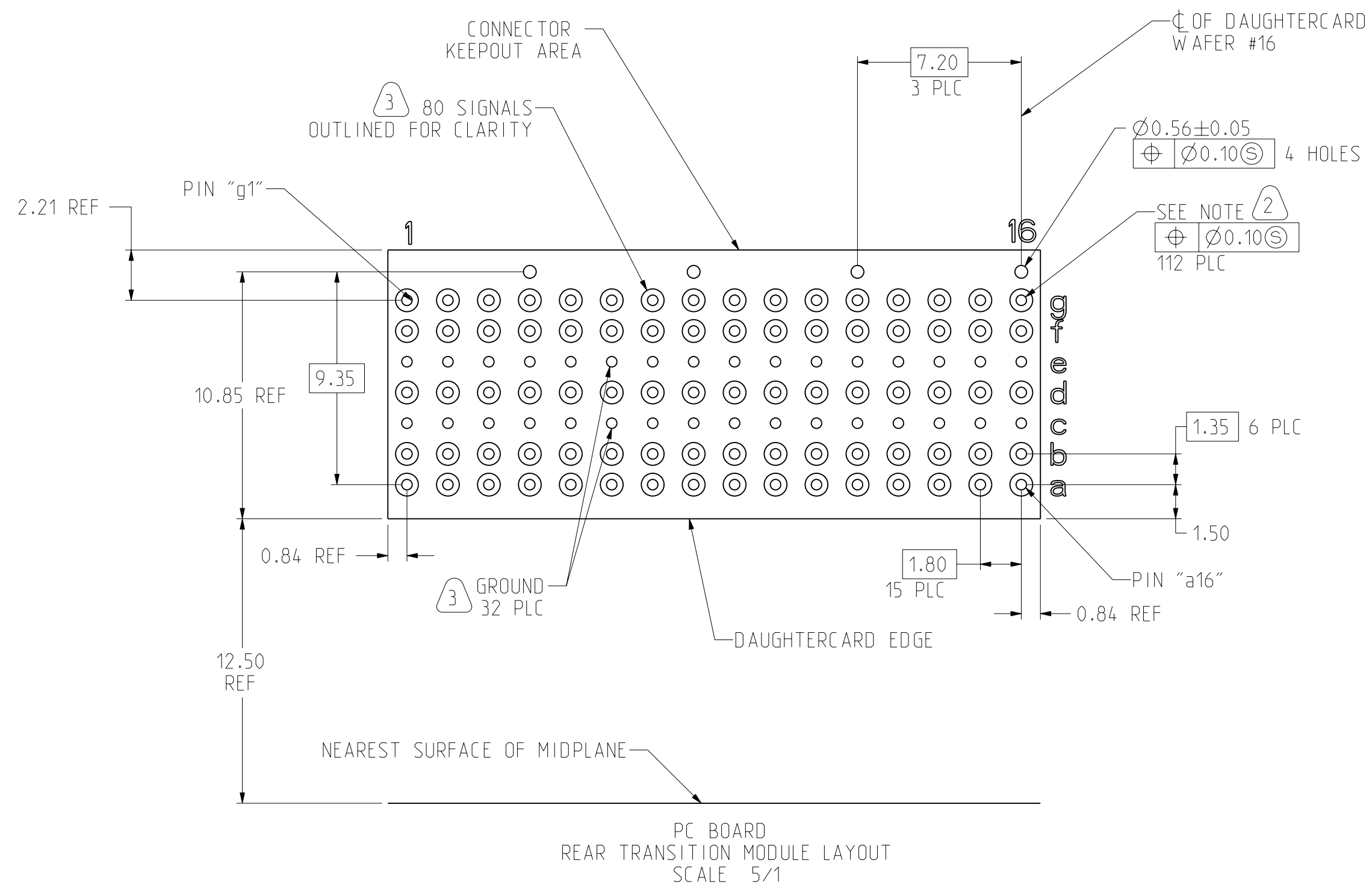
Eng. PDM Information For Reference Only

REVISION A SHEET 2 OF 3

DOCUMENT NO. RVPX-P16SXX

REV. A

REAR TRANSITION MODULE APPLICATION



NOTES:

THE USE OF THIS DOCUMENT IS UNLIMITED. HOWEVER, DOCUMENTS REFERENCED HEREON MAY CONTAIN LIMITED RIGHTS DATA.

DOCUMENT NO. RVPX-P16SXX	SHEET 3 OF 3	REV. A
------------------------------------	--------------	------------------

SIZE C	CAGE CODE 77820	DOCUMENT NO. RVPX-P16SXX	REV. A
SCALE: 5.0		REF: NONE	SHEET 3 OF 3

DOCUMENT NO. RVPX-P16SXX SHEET 3 OF 3 REV. A

DOCUMENT NO. RVPX-P16SXX SHEET 3 OF 3 REV. A

Eng. PDM Information For Reference Only REVISION A VISION 3