

# 1GBASE-T TO 1GBASE-SX

## MEDIA CONVERTER



### DESCRIPTION

Amphenol's dual port 1GBASE-T to 1GBASE-SX media converter can be used in harsh environment avionics, ground systems, or naval applications that need to transmit and receive such encoded interfaces over fiber optic cables.

### FEATURES & BENEFITS

- 1GBase-T to 1GBase-SX Media converter
- 2 Channels
- Class 1M laser product complies with IEC/EN 60825-1
- Black zinc nickel plated
- Operating temp: -40C to +85C

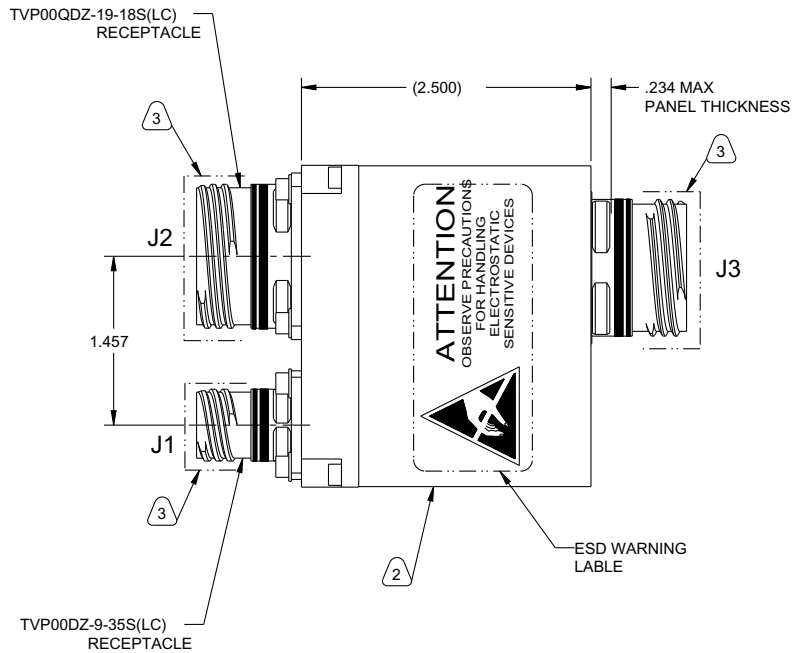
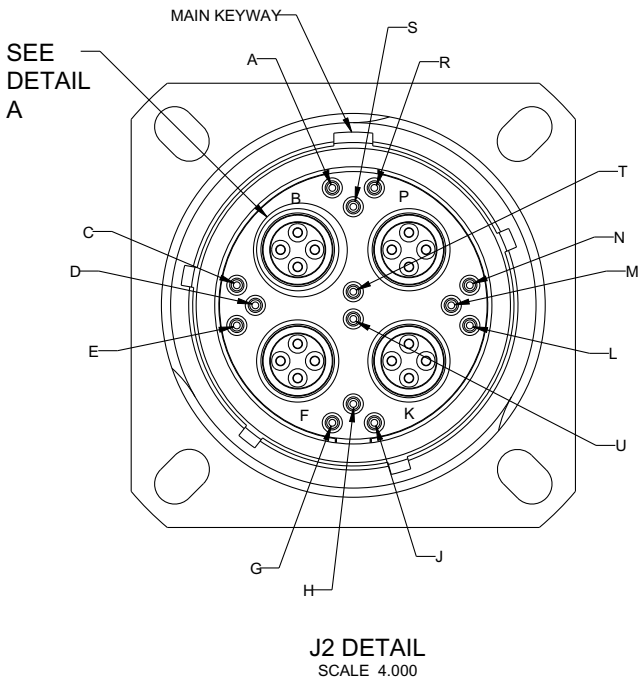
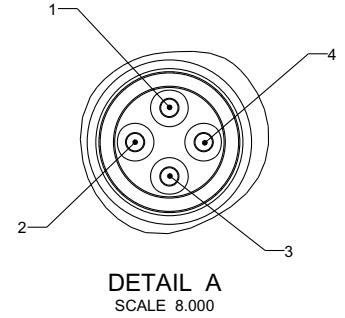
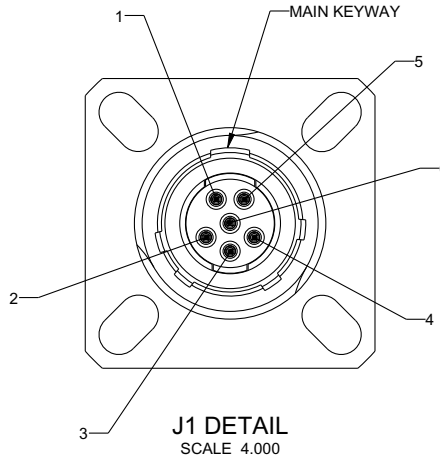
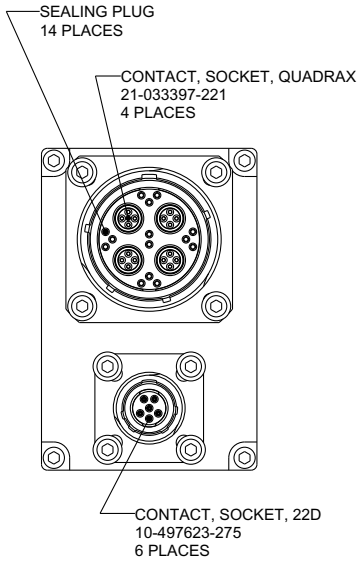
### Part Numbers

- CF-020400-40N
- CF-020400-41N

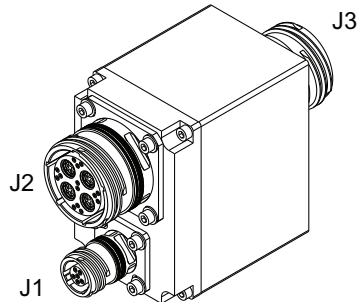
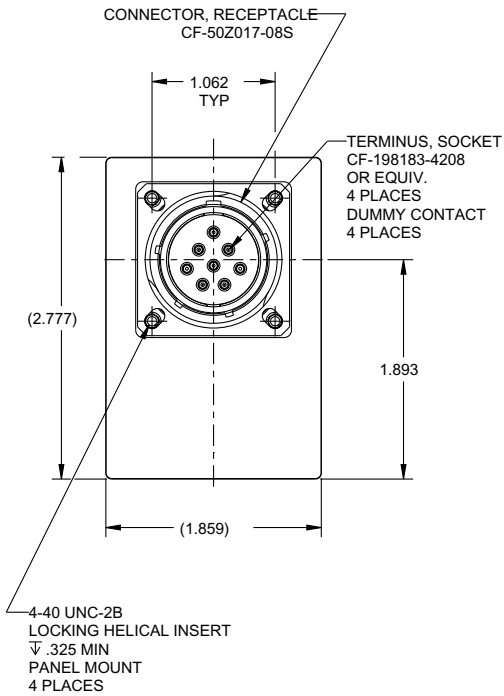


Comparison Chart		
	40N	41N
Min Transmit Power	-4 dBm	-4 dBm
Max Receive Sensitivity	-15 dBm	-18 dBm
Operating Temperature	-40C to +85C	-40C to +85C
Data Rate	1.25Gbps	1.25Gbps
Wave Length	850nm	850nm
Fiber Size	50/125um	50/125um
Input Power Voltage	28VDC	28VDC
Max Tx Power	1dBm	1dBm
Typical Extinction Ratio	5dB	5dB
Max Power Consumption	6 Watts	6 Watts

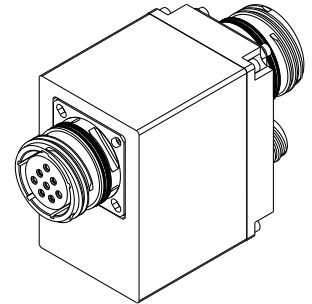
# CF-020400-40N & CF-020400-41N DRAWING



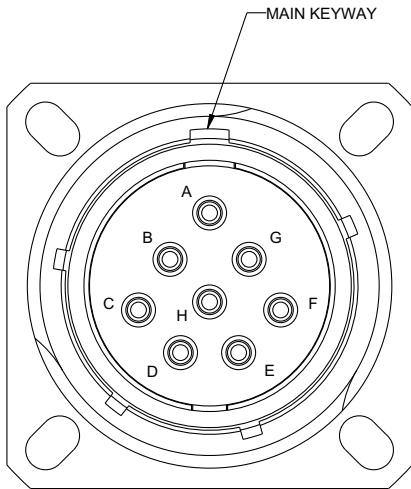
# CF-020400-40N & CF-020400-41N DRAWING AND WIRING CHART



FRONT ISOMETRIC VIEW



REAR ISOMETRIC VIEW



J3 DETAIL  
SCALE 4.000

Wiring Chart		
J1 PIN-OUT	J2 PIN-OUT	J3 PIN-OUT
1 - Not Connected	B1 - PORT 1 DA+	B - OUTPUT - PORT 1
2 - Not Connected	B3 - PORT 1 DA-	
3 - Not Connected	B2 - PORT 1 DB+	G - INPUT - PORT 1
4 - Not Connected	B4 - PORT 1 DB-	
5 - DC Power	P1 - PORT 2 DC+	D - OUTPUT - PORT 2
6 - Ground	P3 - PORT 2 DC-	
	P2 - PORT 2 DD+	E - INPUT - PORT 2
	P4 - PORT 2 DD-	
	F1 - PORT 1 DC+	
	F3 - PORT 1 DC-	
	F2 - PORT 1 DD+	
	F4 - PORT 1 DD-	
	K1 - PORT 2 DA+	
	K3 - PORT 2 DA-	
	K2 - PORT 2 DB+	
	K4 - PORT 2 DB-	