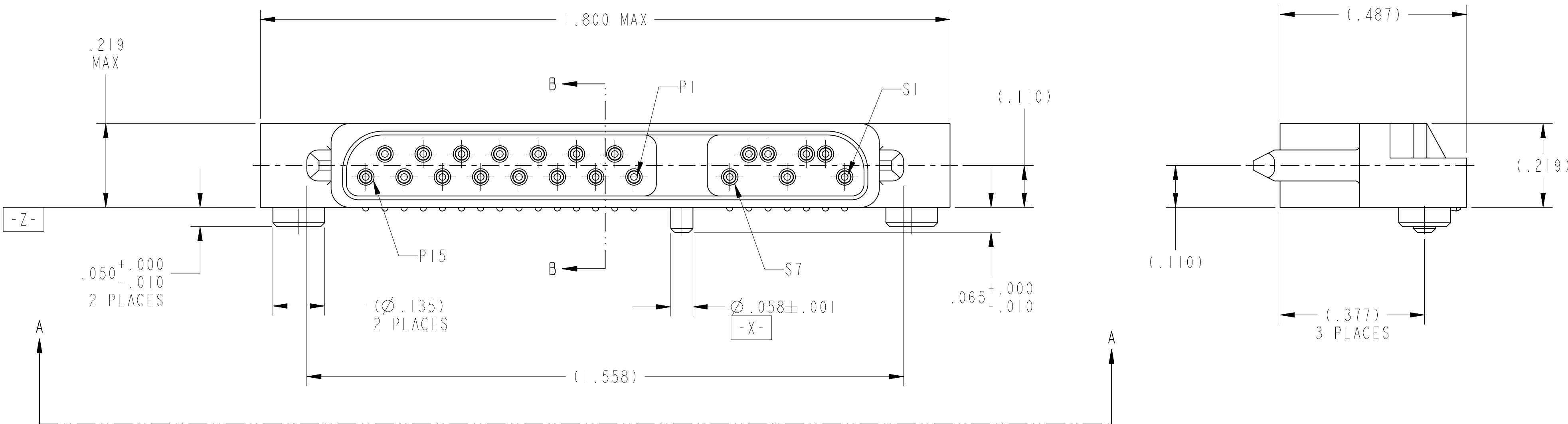
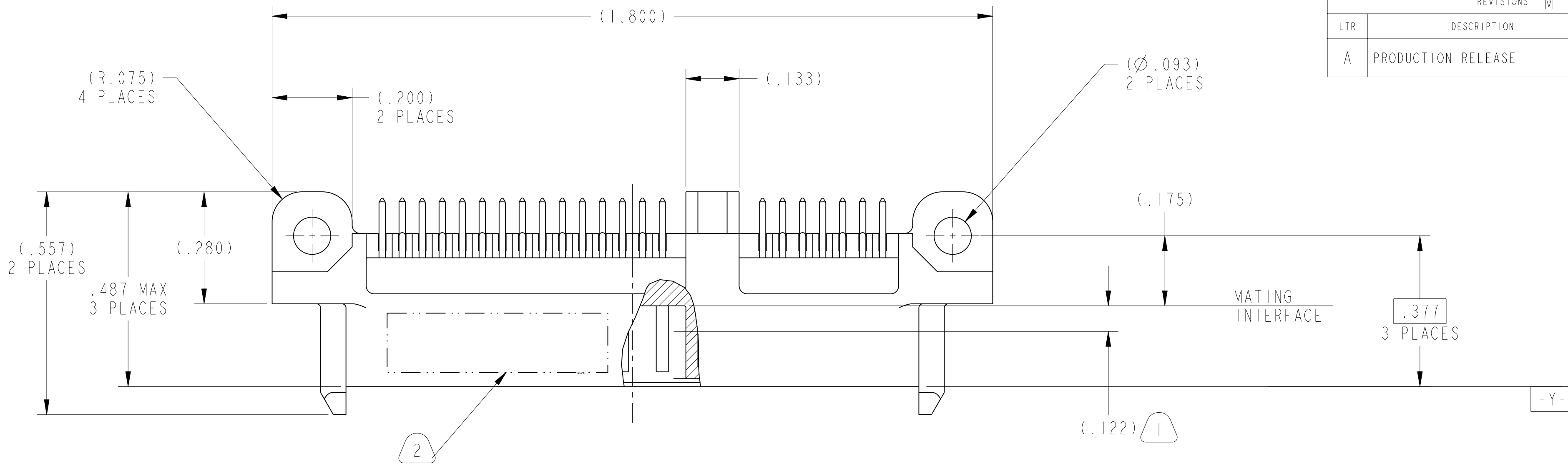


REV. A	SHEET 1 OF 3	RS2-RRSM22-X
REVISIONS M		
LTR	DESCRIPTION	DATE
A	PRODUCTION RELEASE	4/11/16



SEE SHEET 2

NOTES:
 THE USE OF THIS DOCUMENT IS UNLIMITED. HOWEVER, DOCUMENTS REFERENCED HEREON MAY CONTAIN LIMITED RIGHTS DATA.

SCALE 5.000

N/A	PRO/ENGINEER INFORMATION
N/A	Pro/e Model Used: RS2-RRSM22-X.ASSEM
NEXT ASSEMBLY	Drawing Name: RS2-RRSM22-X

UNLESS OTHERWISE SPECIFIED LINEAR DIMENSIONS ARE IN INCHES TOLERANCES: .XXXX = ±.0005 ANGLES= ±2° .XXX = ±.010 .XX = ±.03 .X = ±.1 DIM. & TOL. PER ASME Y14.5M; DRM PER MIL-DTL-31000; OTHER Amphenol Sds. PER 9-3800 LEGENDS: =FLAG NOTE CALL OUT REFERENCE ONLY	SPECIFICATIONS MATERIAL SPEC. NA PROCESS SPEC. 9-3856-5 9-3895	POS	QTY	PART NUMBER	DESCRIPTION	NOTE
		PARTS LIST				
APPROVALS		DATE		AMPHENOL CORPORATION 40-60 DELAWARE AVENUE SIDNEY, N.Y. 13838		
PREPARED BY R. CHAPMAN		06-May-15		CONNECTOR, ELECTRICAL, RECEPTACLE, R-SATA, 22 POSITION (SURFACE MT TERMINATION)		
ENGINEER IN CHARGE J. PAUL				SIZE C CAGE CODE 77820 DOCUMENT NO. RS2-RRSM22-X REV. A		
DESIGN MANAGER R. SELFRIDGE				SCALE: 2.0 REF: RS2-PST22-XXXX SHEET 1 OF 3		
DESIGN ACTIVITY GROUP BLP		THIRD ANGLE PROJECTION				

DOCUMENT NO. RS2-RRSM22-X

SHEET 1 OF 3 REV. A

B

A

A

FORMAT: C-U-L-REV-B

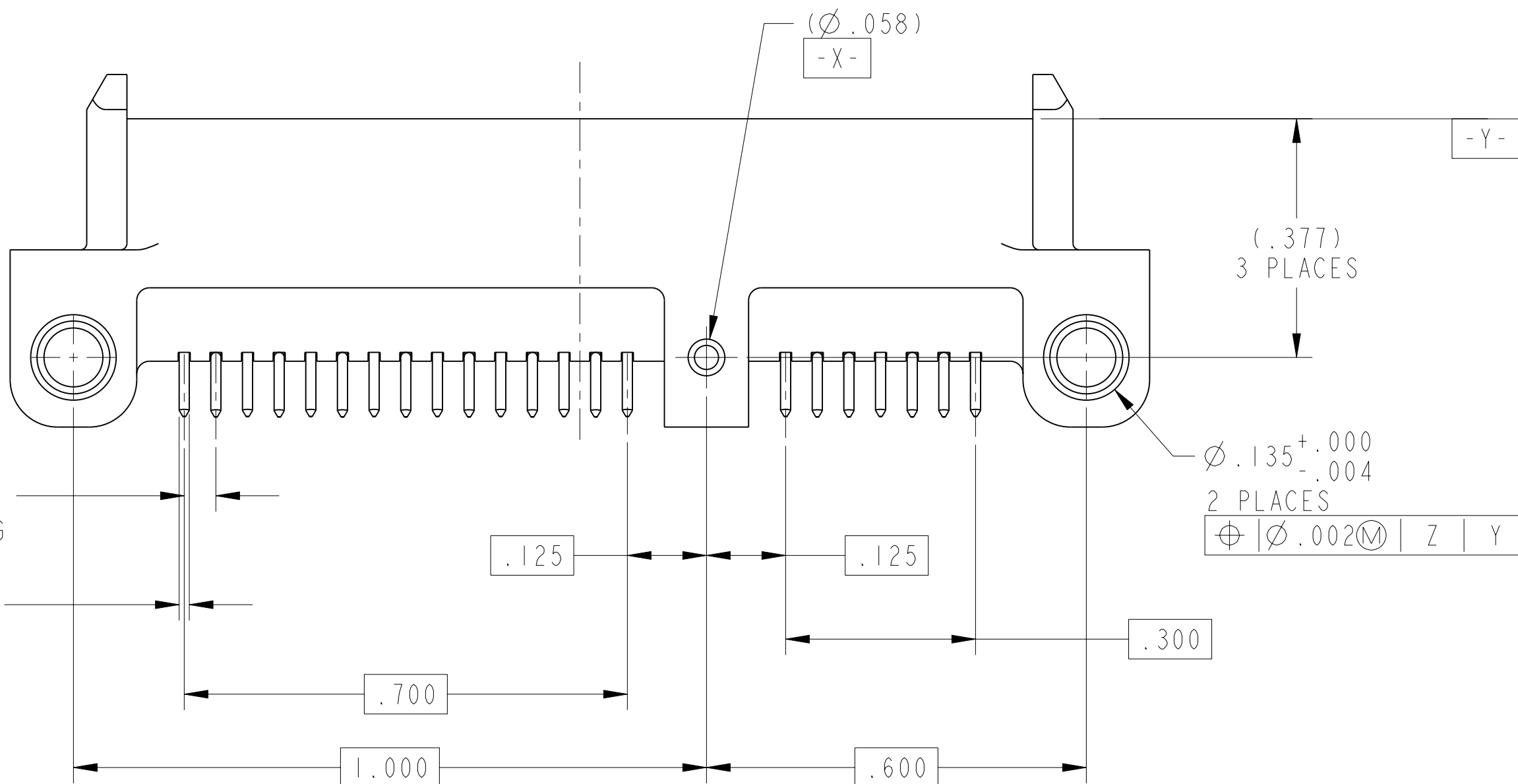
REV. A SHEET 1 OF 3

DOCUMENT NO. RS2-RRSM22-X

PART NUMBER

RS2-RRSM22-()

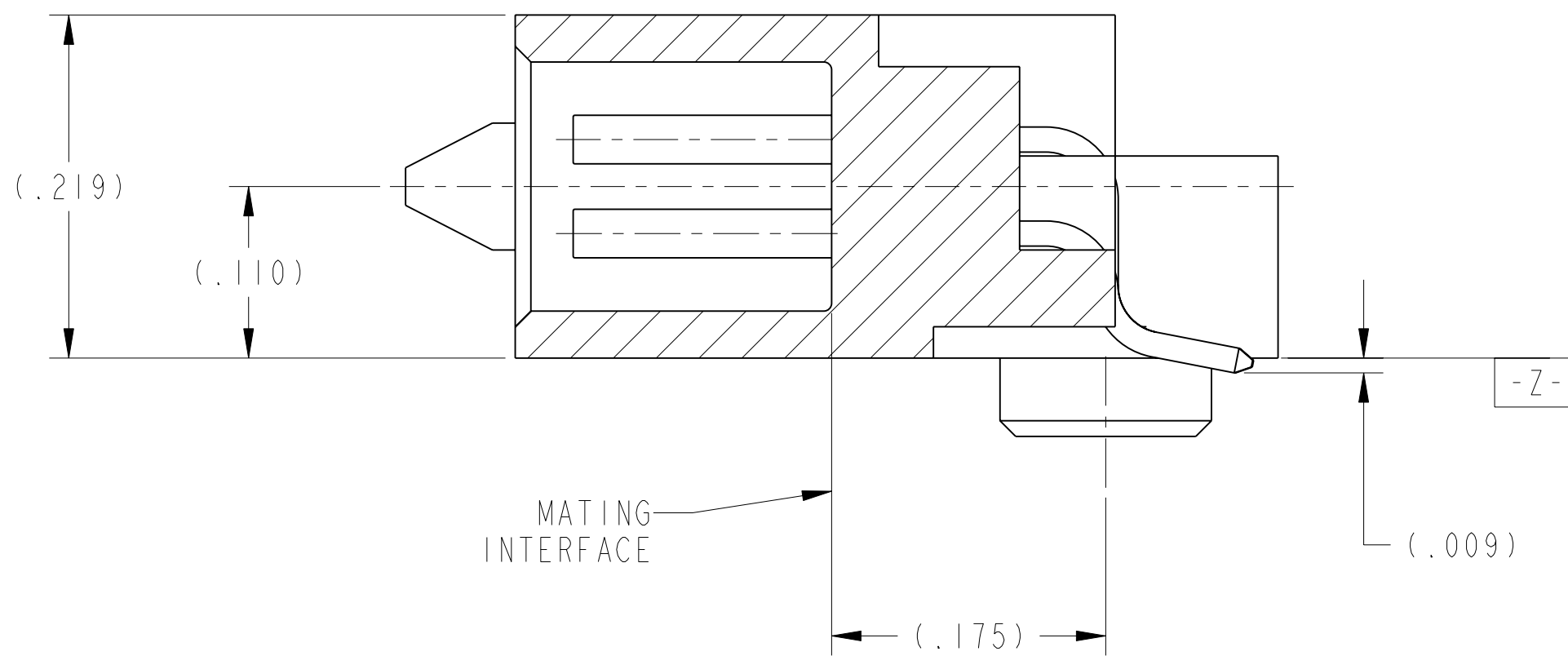
TERMINATION FINISH SUFFIX (SEE TABLE BELOW)



VIEW AT A

TERMINATION SUFFIX TABLE

SUFFIX	DESCRIPTION
2	GOLD PLATE, .000050 MIN. THICK GOLD OVER .000050 MIN. THICK NICKEL.
6	TIN-LEAD SOLDER DIPPED OVER SUFFIX 2 .0010 MIN THICK TIN-LEAD (Sn63%)



SECTION B-B

SCALE 10.000

- INDICATED DIMENSION IS TO POINT OF ELECTRICAL ENGAGEMENT.
- THE USE OF THIS DOCUMENT IS UNLIMITED. HOWEVER, DOCUMENTS REFERENCED HEREON MAY CONTAIN LIMITED RIGHTS DATA.
- SEE SHEET 3 FOR SUGGESTED CIRCUIT BOARD LAYOUT.
- FOR MATING PLUG CONNECTOR SEE DRAWING RS2-PRCE22-() AND OTHERS.
- INK STAMP IN CONTRASTING COLOR "AMPHENOL" 77820 PART NUMBER AND DATE CODE ON INDICATED SURFACE (MAY BE ON BOTH SIDES) PER 9-3856-5. DATE CODE PER 9-3895. CHARACTERS TO BE .062±.020 HIGH. ADDITIONAL INFORMATION MAY BE REQUESTED ON PURCHASE ORDER.
EXAMPLE: AMPHENOL 77820 RS2-RRSM22-2 1515

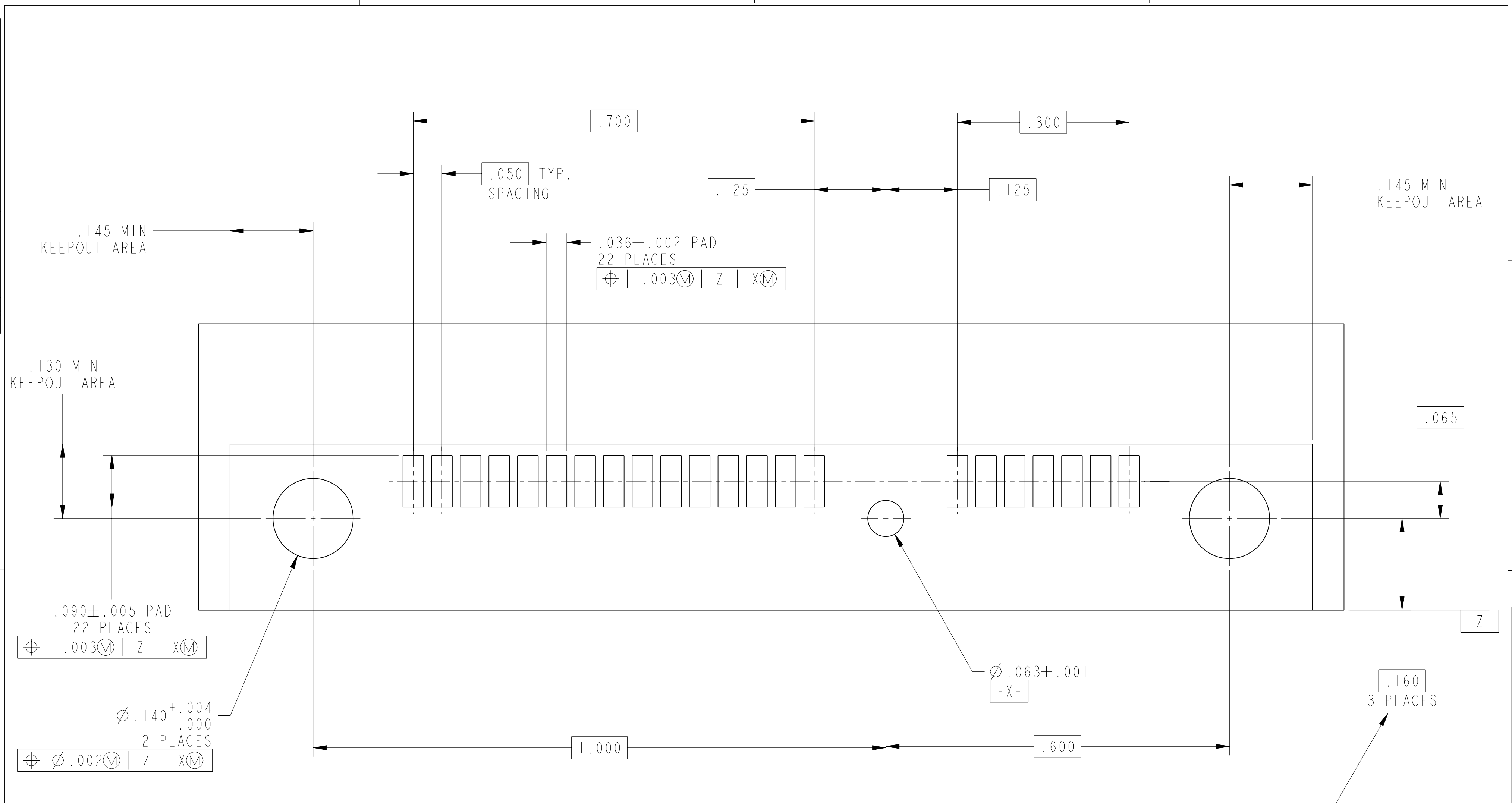
THE USE OF THIS DOCUMENT IS UNLIMITED. HOWEVER, DOCUMENTS REFERENCED HEREON MAY CONTAIN LIMITED RIGHTS DATA.

SIZE C	CAGE CODE 77820	DOCUMENT NO. RS2-RRSM22-X	REV. A
SCALE: 2.0	REF. RS2-PST22-XXXX	SHEET 2 OF 3	

DOCUMENT NO. RS2-RRSM22-X SHEET 2 OF 3 REV. A

REV. A SHEET 2 OF 3 RS2-RRSM22-X DOCUMENT NO.

DOCUMENT NO. RS2-RRSM22-X
SHEET 3 OF 3
REV. A



INDICATED DIMENSION IS FOR PCB WHEN CONNECTOR IS MATED TO RECEPTACLE CONNECTOR RS2-PRCE22-X. WHEN MATING TO OTHER RECEPTACLE CONNECTORS, DIMENSION MAY BE INCREASED TO .370.

SUGGESTED PRINTED CIRCUIT BOARD LAYOUT

SCALE 8.000

THE USE OF THIS DOCUMENT IS UNLIMITED. HOWEVER, DOCUMENTS REFERENCED HEREON MAY CONTAIN LIMITED RIGHTS DATA.

SIZE C	CAGE CODE 77820	DOCUMENT NO. RS2-RRSM22-X	REV. A
SCALE: 2.0	REF. RS2-PST22-XXXX	SHEET 3 OF 3	

D
C
B
A
REV. A
SHEET 3 OF 3
DOCUMENT NO. RS2-RRSM22-X
A