

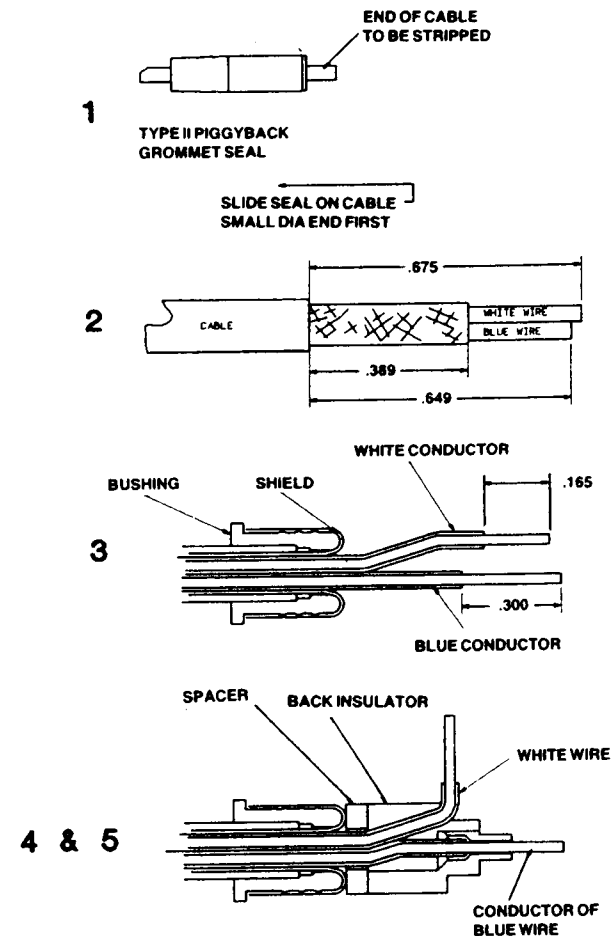
21-33190-40

Contact, Pin, Concentric Twinaxial Type, Shielded, Crimp (MIL-C-38999 Series I & III) Installation Instructions

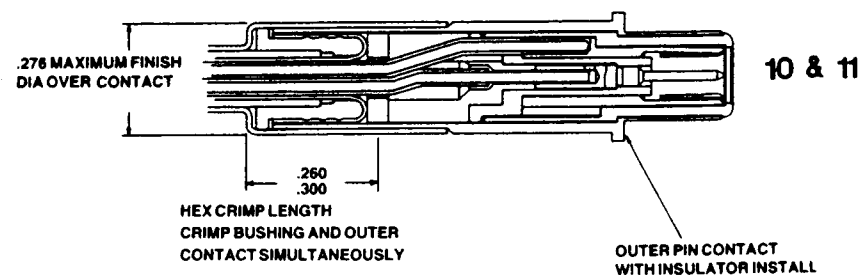
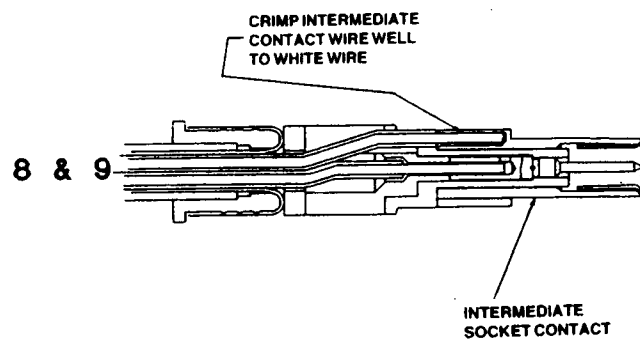
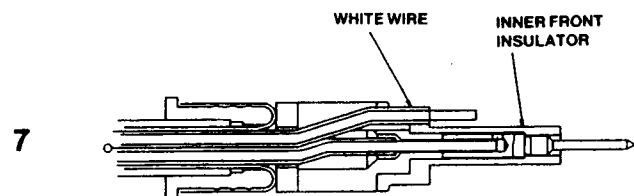
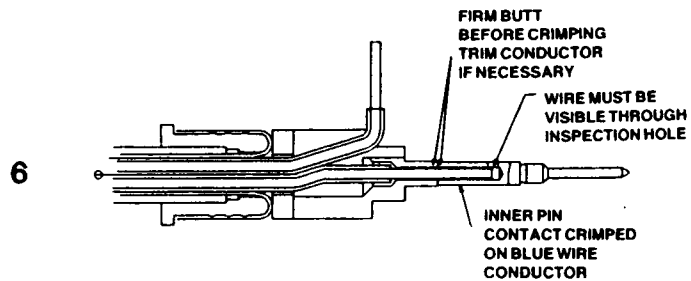
Note: Contacts with Type II Seal are designed for use in MIL-C-38999 Series I and III standard connector arrangements 25-46, 21-75, and 21-79 only.

1. Assemble Seal. See Figure 1.
2. Strip cable per Fig. 2.
3. Slide crimp bushing over cable jacket, flair shield and strip inner wires as shown. (Cut off fillers as close to shield as possible).
4. Assemble spacer insulator over blue and white wires.
5. Bend white wire away from blue wire and assemble back insulator over blue wire and butt firmly against spacer insulator. Align slot with white wire.
6. Fit inner pin contact over blue wire conductor. (See Fig. 6) and crimp with M22520/2-01 tool and M22520/2-37 positioner. Use tool selector setting number five (5).
7. Assemble inner front insulator over center pin contact being careful to align slot with white wire as insulator is slid back until it butts firmly.
8. Slide intermediate contact over inner front insulator being sure all strands of the white conductor enter small hole in the intermediate contact large end. Slot in intermediate contact should be 180 degrees opposite white wire.
9. Crimp intermediate contact wire well using tool M22520/5-01 and die set M22520/5-200 (Die set has a blade for location of slot and a double indent portion to crimp wire side).
10. Slide outer pin contact, with insulator installed, over assembly until it butts firmly. A small gap at the bushing will occur.
11. Crimp assembly, bushing and outer contact, with tool M22520/5-01 and die set M22520/5-200.
12. Insert the contact assembly into the connector grommet until it seats firmly. Tug slightly on wire to insure contact has properly seated.
13. Slide Piggyback Grommet down cable until it butts firmly on contact.

21-33190-40



Amphenol Aerospace



EQUIVALENT APPLICATION TOOLS		
DIE SET	POSITIONER	CONTACT REMOVAL
M22520/5-200 OR BENDIX® 11-12101 OR DANIELS Y631	M22520/2-37 OR BENDIX® 11-12102 OR DANIELS K709	DANIELS DRK 264-8