

PLUG WITH INTEGRAL BANDING PLATFORM

38999+ CONNECTORS

PDS - 287

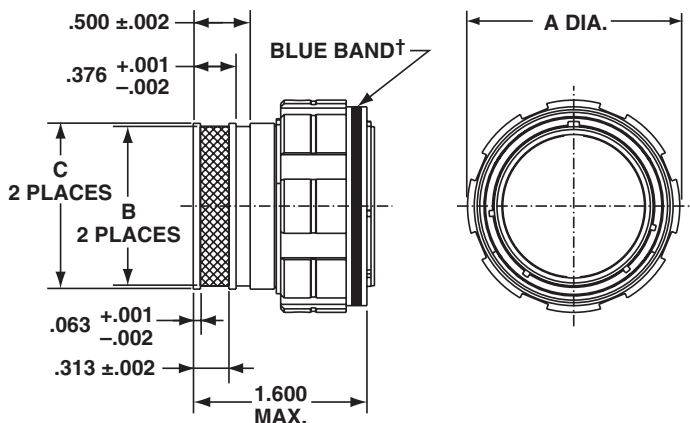


The MIL-DTL-38999 Series III style connector features an integral banding platform design that eliminates the need for an additional backshell accessory.

The backshell feature is incorporated into the rear of the connector shell, allowing the user to attach the shield of their cable directly to the connector. This provides superior EMI shielding, enhanced sealing, and ease for overmold applications. The straight plug with integral banding platform is available in aluminum and stainless steel shells with standard Amphenol platings.

FEATURES & BENEFITS:

- Eliminates need for additional accessory
- Time savings during order and installation
- Cost effective
- Space and weight savings
- EMI protection
- Compatible with overmolding processes



Shell Size	MS Shell Size Code	A Max.	B +.005 / -.000	C +.003 / -.002
9	A	.859	.416	.472
11	B	.969	.524	.580
13	C	1.141	.652	.708
15	D	1.266	.810	.866
17	E	1.391	.928	.984
19	F	1.500	1.046	1.102
21	G	1.625	1.164	1.220
23	H	1.750	1.282	1.338
25	J	1.875	1.400	1.456

BUILD A PART NUMBER: TV96RW-15-35PA

Complete steps 1-7 to create your part number

1.	2.	3.	4.	5.	6.
Connector Type	Shell Style	Service Class	Shell Size - Insert Arrangement	Contact Type	Alternate Positions
TV	96	RW	15-35	P	A

STEP 1 :
Choose a Connector Type

Connector Type	
TV	Tri-Start 175°C
TVS	Tri-Start 200°C

STEP 2 :
Choose Shell Style

Shell Style
96 Plug with Integral Banding Platform

STEP 3 :
Choose a Service Class

Service Class		
RF	Electroless nickel plated aluminum EMI shielding effectiveness - 65dB @ 10GHz specification min., 48 hour salt spray, 200°C	
RK	Corrosion resistant stainless steel, firewall capability, plus 500 hour salt spray resistance, EMI -45dB @ 10GHz specification min., 200°C	
RL	Corrosion resistant steel, electro deposited nickel, 500 hour salt spray, 200°C, non firewall, EMI shielding -65dB @ 10GHz specification min.	
RS	(Non-hermetic connectors), Nickel plated, corrosion resistant steel, firewall capability, 500 hour salt spray, 200°C, EMI shielding -65dB @ 10GHz specification min.	
RW	Corrosion resistant olive drab cadmium plated aluminum, 500 hour extended salt spray, EMI -50dB @ 10GHz specification min., 175°C	
DT	Duralon plated, alternative to cadmium. Corrosion resistant, 500 hour extended salt spray, EMI -50dB @ 10GHz specification min. without CR6	
DZ	Black Zinc-Nickel alternative to cadmium. Corrosion resistant, 500 hour salt spray, conductive, -65°C to +175°C	
DW	Corrosion resistant olive drab cadmium plated aluminum, 1,000 hour extended salt spray, EMI -50dB @ 10GHz specification min., 175°C	

STEP 5 :
Choose a Contact Type

Contact Type	
P	Pin
S	Socket
H	1,500 Cycle Pin Contacts
J	1,500 Cycle Contacts

STEP 6 :
Choose an Alternate Position

Alternate Positions	
	Blank for normal rotation
A	A rotation
B	B rotation
C	C rotation
D	D rotation
E	E rotation

STEP 4:
Select a Shell Size & Insert Arrangement

Shell Size - Insert Arrangement
See Amphenol Catalog page 2-13