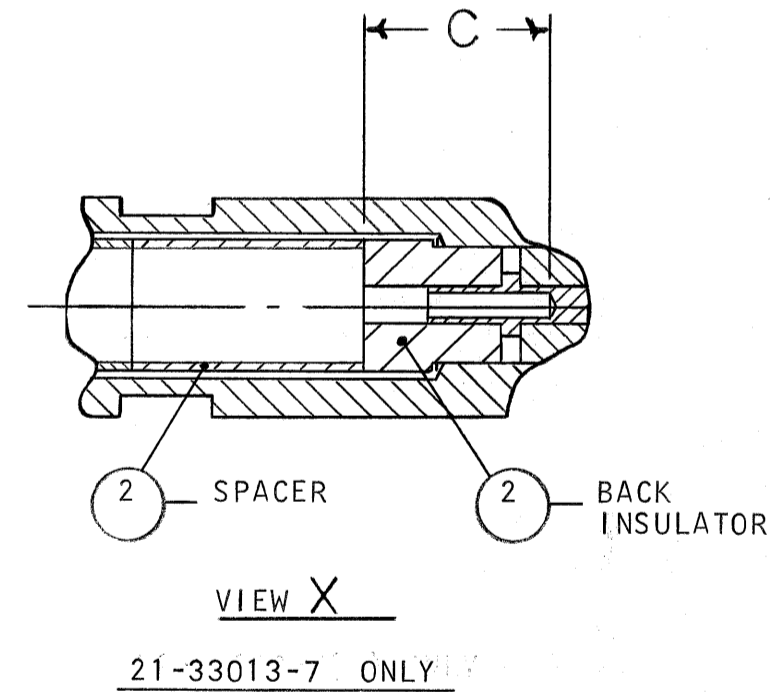
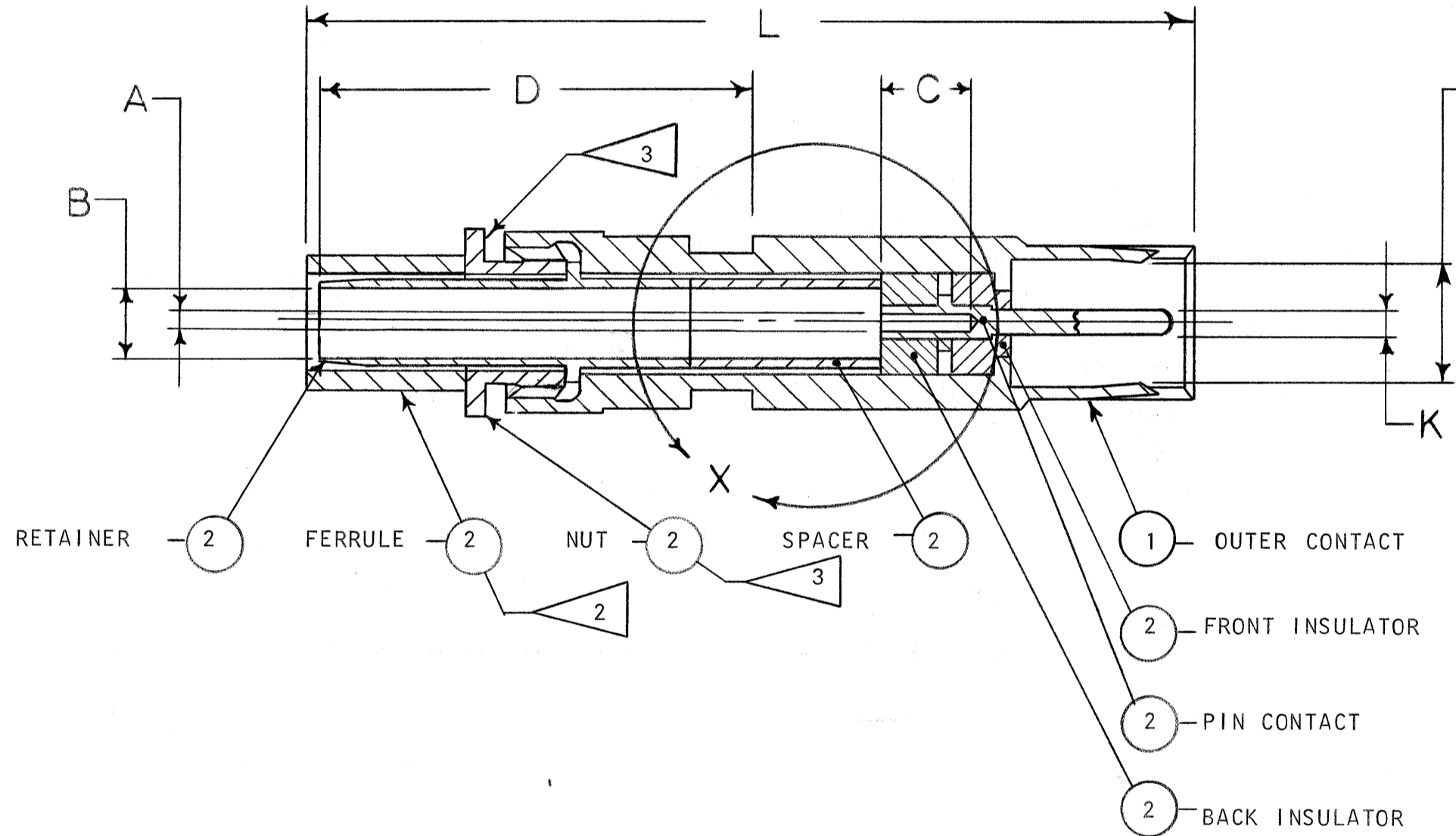
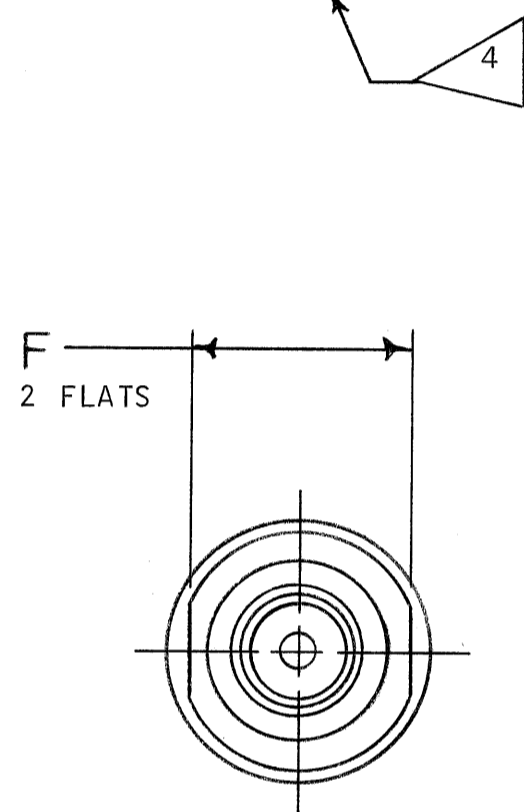


PART NUMBER	COAX CONTACT SIZE	USE WITH RG-CABLE NO.	FERRULE CRIMP TOOL M22520/5-01		OUTER CONTACT	SOCKET KIT	A	B	C	D	F	J	K	L
			DIE PART NO. M22520/5	DIE CLOSURE			DIA	DIA			DIA	DIA		
21-33013- 1	8	58C/U 141A/U 303/U	-05	B	21-427-25	21-33096- 1	.0410	.1230	.159	.749	.280	.218	.0355 ±.0010	1.511
- 3	8	161/U,174A/U 179B/U,187A/U 188A/U,316/U RAYCHEM 5026A1318	-08	—	21-427-25	21-33096- 3	.0280	.0690	.159	.749	.280	.218	.0355 ±.0010	1.511
- 4	8	55B/U,142A/U 142B/U,223/U	-05	A	21-427-25	21-33096- 4	.0410	.1230	.159	.749	.280	.218	.0355 ±.0010	1.511
- 5	8	59B/U,62A/U 62B/U,210/U	-45	B	21-427-35	21-33096- 5	.0280	.1560	.159	.749	.280	.218	.0355 ±.0010	1.511
- 6	8	180B/U, 195A/U	-05	B	21-427-25	21-33096- 6	.0225	.1090	.159	.749	.280	.218	.0355 ±.0010	1.511
- 7	8	SEE NOTE 6	-45	B	21-427-35	21-33096- 7	.0410	.1660	.225	.749	.280	.218	.0355 ±.0010	1.511
- 8	8	140/U,302/U	-05	A	21-427-35	21-33096- 8	.0280	.1560	.159	.749	.280	.218	.0355 ±.0010	1.511
-21	12	161/U,174A/U 179B/U,187A/U 188A/U,316/U	-08	—	21-427-15	21-33031-21	.0225	.0690	.159	.749	.172	.128	.0200 ±.0005	1.511
-22	12	178B/U,196A/U	-03	B	21-427-15	21-33096-22	.0225	.0390	.159	.749	.172	.128	.0200 ±.0005	1.511

42536-150		REVISIONS		
ZONE	LTR	DESCRIPTION	DATE	APPROVED
	D	(CLASS II) REDRAWN WAS SIZE "D" ADDED -3,-4,-5,-6,-7,-8 AND DATA, NOTE 6, NOTE 1 & NOTE 7 ECN: 70433-1	Petersen 7/19/79	Bowler



- FINISH:
.0005 MIN GOLD (KNOOP HARDNESS 130-200) OVER NICKEL.
- WHEN ASSEMBLING THIS CONTACT TO SPECIFIED CABLE, CRIMP INDICATED FERRULE WITH TOOL INDICATED IN COLUMN OR EQUIVALENT. FOR COMPLETE INSTALLATION INFORMATION SEE INSTRUCTIONS L-650.
- TORQUE ON NUT FOR SIZE 12 CONTACT SHALL BE 16 TO 20 IN. OZ, AND 30 TO 36 IN. OZ FOR SIZE 8.
- CONTACT ASSEMBLIES WILL ACCOMMODATE OTHER EQUIVALENT COAXIAL CABLE.
- DRAWING ILLUSTRATES FINAL ASSY, INDICATED COMPONENTS ARE PART OF SOCKET KIT. SOCKET KIT TO BE PACKAGED PER PRODUCTION PROCESS SHEET.
- FOR USE WITH 1S75 MU-8 CABLE WHEN CABLE CORE DIAMETER IN INDIVIDUAL SHIELDED CABLE IS .163 DIA MAX.
- MATES WITH 21-33014 SERIES, 21-33034 SERIES, 21-33016 SERIES, 21-33130 SERIES AND 21-33064 SERIES.

NOTES:
10-194610/50
NEXT ASSEMBLY

2	1		SEE COLUMN	SOCKET KIT	5
1	1		SEE COLUMN	OUTER CONTACT	
FIND NO.	QTY REQD	CODE IDENT	PART NUMBER	DESCRIPTION	NOTE REF
PARTS LIST					
UNLESS OTHERWISE SPECIFIED LINEAR DIMENSIONS ARE IN INCHES. TOLERANCES: .XXX ± .010, .XX ± .03, .X ± .1, ANGLES ± 2°. OTHER STANDARDS PER 9-3800 AND MIL-D-1000. NOTE REF			SIGNATURES PREPARED J. HENGEVELD CHECKED <i>d.c. Coon</i> MATERIAL	DATES 3/9/64 10/2/79	The Bendix Corporation Electrical Components Division Sidney, New York TITLE: CONTACT, SOCKET, ELECTRICAL CONNECTOR, COAXIAL CABLE, GOLD PLATE U
MATERIAL SPEC	PROCESS SPEC		APPROVED <i>Hemmer</i> APPROVED	8-6-79	
SCALE NONE			WT	REF 21-33011	
C	77820	21-33013			