

ASSEMBLY NUMBER	COAX CONTACT SIZE	USE WITH RG-CABLE NO.	FERRULE CRIMP TOOL M22520/5-D1		OUTER CONTACT	PIN KIT	A	B	C	D	E	J	K	L
			DIE PART NO. M22520/5	DIE CLOSURE			DIA	DIA					DIA	
21-33014-1	8	59C/U 141A/U 303/U	-05	B	21-315-25	21-33097-1	.0410	.1230	.159	.749	.280	.218	.0355 ±.0010	1.481
-3	8	161/U, 174A/U 179/U, 187A/U 188A/U, 316/U RAYCHEM 5026A1318	-08	—	21-315-25	21-33097-3	.0280	.0690	.159	.749	.280	.218	.0355 ±.0010	1.481
-4	8	55R/U, 142A/U 142B/U, 223/U	-05	A	21-315-25	21-33097-4	.0410	.1230	.159	.749	.280	.218	.0355 ±.0010	1.481
-5	8	59B/U, 62A/U 62E/U, 210/U	-45	B	21-315-35	21-33097-5	.0280	.1560	.159	.749	.280	.218	.0355 ±.0010	1.481
-6	8	180R/U, 195A/U	-05	B	21-315-25	21-33097-6	.0225	.1090	.159	.749	.280	.218	.0355 ±.0010	1.481
-7	8	SEE NOTE 6	-45	B	21-315-35	21-33097-7	.0410	.1660	.225	.749	.280	.218	.0355 ±.0010	1.481
-8	8	140/U, 302/U	-05	A	21-315-35	21-33097-8	.0280	.1560	.159	.749	.280	.218	.0355 ±.0010	1.481
-21	12	161/U, 174A/U 179/U, 187A/U 188A/U, 316/U	-08	—	21-315-15	21-33030-21	.0225	.0690	.159	.749	.172	.128	.0200 ±.0005	1.481
-22	12	178R/U, 196A/U	-03	B	21-315-15	21-33097-22	.0225	.0390	.159	.749	.172	.128	.0200 ±.0005	1.481

42536-130		REVISIONS		
ZONE	LTR	DESCRIPTION	DATE	APPROVED
D		(CLASS II) REDRAWN, WAS SIZE "D"; ADDED -3, -4, -5, -6, -7, -8, NOTE 6 & NOTE 1 & NOTE 7 ECN: 70433-2	10/19/79	<i>Boiter</i>

D

D

C

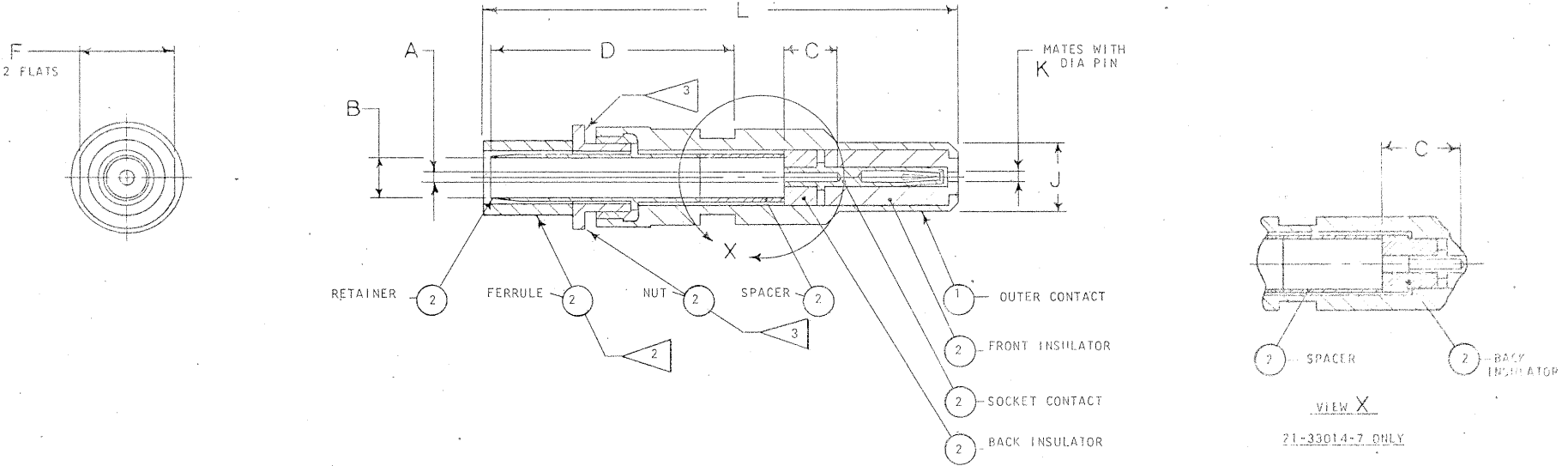
C

B

B

A

A



- FINISH:  
.00005 MIN GOLD (KNOOP HARDNESS  
130-200) OVER NICKEL.
- WHEN ASSEMBLING THIS CONTACT TO SPECIFIED CABLE, CRIMP INDICATED FERRULE WITH TOOL INDICATED IN COLUMN OR EQUIVALENT. FOR COMPLETE INSTALLATION INFORMATION, SEE INSTRUCTION L-650.
- TORQUE ON NUT FOR SIZE 12 CONTACT SHALL BE 16 TO 20 IN. OZ, AND 30 TO 36 IN. OZ FOR SIZE 8.
- CONTACT ASSEMBLIES WILL ACCOMMODATE OTHER EQUIVALENT COAXIAL CABLE.
- DRAWING ILLUSTRATES FINAL ASSY. INDICATED COMPONENTS ARE PART OF PIN KIT. PIN KIT TO BE PACKAGED PER PRODUCTION PROCESS SHEET.
- FOR USE WITH 1575 MU-8 CABLE WHEN CABLE CORE DIAMETER IN INDIVIDUAL SHIELDED CABLE IS .163 DIA MAX.
- MATES WITH 21-33013 SERIES, 21-33015 SERIES, 21-33033 SERIES, 21-33129 SERIES AND 21-33063 SERIES.

FIND NO.	QTY REQD	CODE IDENT	PART NUMBER	DESCRIPTION	NOTE REF
2	1		SEE COLUMN	PIN KIT	5
1	1		SEE COLUMN	OUTER CONTACT	

UNLESS OTHERWISE SPECIFIED		SIGNATURES	DATES
LINEAR DIMENSIONS ARE IN INCHES. TOLERANCES: .XXX - .010. .XX - .05, X + .1, ANGLES - 2. OTHER STANDARDS PER 9-3800 AND MIL-D-1000, NOTE REF		PREPARED J. HENCEVELD	3/11/64
MATERIAL SPEC		CHECKED <i>[Signature]</i>	10/1/79
PROCESS SPEC		APPROVED <i>[Signature]</i>	2-6-79
		APPROVED	

The Bendix Corporation Electrical Components Division Sidney, New York			
TITLE: CONTACT, PIN, ELECTRICAL CONNECTOR, COAXIAL CABLE, GOLD PLATE			
SIZE	CODE IDENT NO		
C	77820	21-33014	
SCALE	NONE	WT	REF 21-33012
		SHEET	