

REVISIONS				
ZONE	LTR	DESCRIPTION	DATE	APPROVED
✓	A	INITIAL RELEASE NUM: 70091-174		

SEE SHEET 2.

NOTES:

THE USE OF THIS DOCUMENT IS UNLIMITED. HOWEVER, DOCUMENTS REFERENCED HEREON MAY CONTAIN LIMITED RIGHTS DATA.

N/A

N/A

NEXT ASSEMBLY

UNLESS OTHERWISE SPECIFIED LINEAR DIMENSIONS ARE IN INCHES.

TOLERANCES: .XXX±.010, .XX ±.03, .X ±.1, ANGLES ±2°.

OTHER STANDARDS PER 9-3800 AND DOD-D-1000.

NOTE REF. =

FIND NO.	QTY REQD.	FSCM NO.	PART NUMBER	DESCRIPTION	NOTE REF.
8	1		21-261-105	RETAINER	
7	1		21-33789-1	INSTALLATION INSTRUCTIONS	4,5
6	1		21-33321-9	PIGGYBACK GROMMET SEAL	
5	1		10-92703-345	FERRULE, CRIMP	
4	1		21-33797-2	INSULATOR, REAR	
3	1		21-33798-15	CONTACT, INNER PIN	
2	1		21-33795-1	INSULATOR, FRONT	
1	1		21-33725-25	CONTACT, SOCKET	

SPECIFICATIONS			SIGNATURES		DATES		PARTS LIST		
MATERIAL SPEC.	N/A		PREPARED A. PRESCOTT		5/24/91		AMPHENOL CORPORATION BENDIX CONNECTOR OPERATIONS SIDNEY, N.Y.		
PROCESS SPEC.	SEE NOTE 6		CHECKED <i>[Signature]</i>		6/11/91		CONTACT, SOCKET, SIZE 8 TYPE LJT-RE MIL-C-38999 ELECTRICAL CONNECTOR		
			APPROVED <i>[Signature]</i>		6/11/91		SIZE	FSCM NO.	REV.
			APPROVED A. Davis		6-11-91		C	77820	A
			1ST PART NO.				SCALE	WT.	REF
							1/4/1		21-33101-()
									SHEET 1 OF 2

4

3

2

1

D

D

C

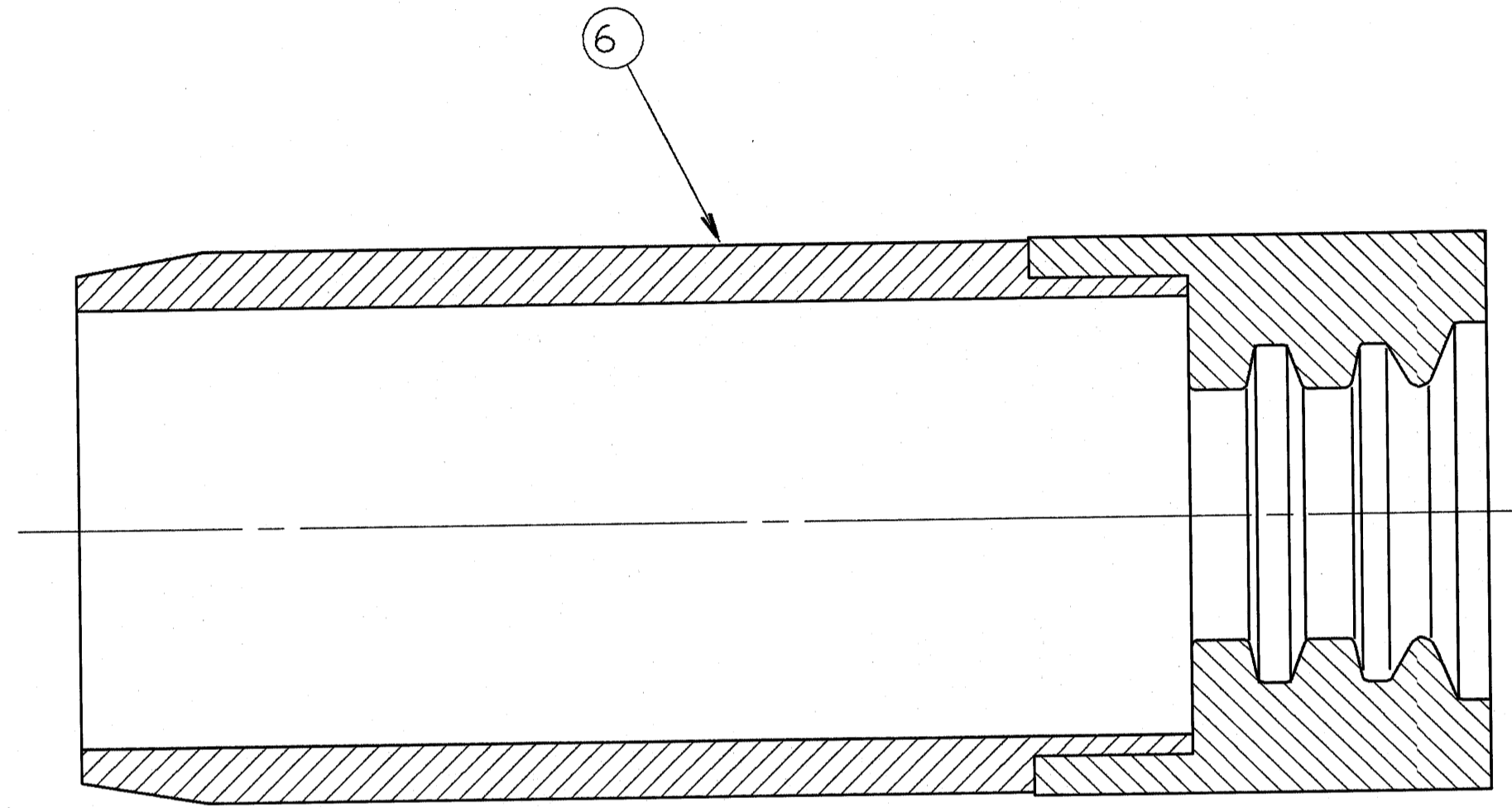
C

B

B

A

A



VIEW OF PIGGYBACK GROMMET SEAL

- 10. OPTIONAL METHOD:  
TRADEMARK MAY BE METAL STAMPED  
AT COMPONENT LEVEL.
- 9. CONTACT ACCOMMODATES COAXIAL  
CABLE MI17/128-RG400 OR EQUIVALENT.
- 8. THIS SKT CONTACT ASSEMBLY IS NOT  
IMPEDANCE MATCHED.
- 7. BLACK INK STAMP TRADEMARK PER 9-6700. TYPE IV PER  
9-3856-5 IN APPROX POSITION SHOWN ON OUTER  
CONTACT. TRADEMARK DIRECTION OPTIONAL AND MAY BE  
SOLID AS SHOWN. SEE NOTE 10.
- 6. PROCESS SPEC:  
TEST 9-5272-24;  
9-6700, 9-3856-5
- 5. FIND NUMBER 7 IS NOT ILLUSTRATED. SEE NOTE 4.
- 4. DRAWING ILLUSTRATES FINAL ASSEMBLY. COMPLETE  
INSTALLATION INSTRUCTIONS, (F/N 7), ARE PACKAGED  
WITH EACH ASSEMBLY. PACKAGE PER PRODUCTION  
PROCESS SHEET.
- 3. FINISH: (CONTACTS AND FERRULE)  
GOLD PLATE (.000050/.000070 THICK)  
OVER NICKEL.
- 2. MATES WITH ANY PIN COAXIAL CONTACT ASSEMBLY IN  
PART NUMBER SERIES 21-33102 OR PIN COAXIAL  
CONTACT 21-33792-15.
- 1. CONTACT SHALL MEET THE APPLICABLE REQUIREMENTS OF  
MIL-C-39029/59 REF.

NOTES:

THE USE OF THIS DOCUMENT IS UNLIMITED. HOWEVER, DOCUMENTS REFERENCED  
HEREON MAY CONTAIN LIMITED RIGHTS DATA.

SIZE	FSCM NO.	REV.
C	77820	A
SCALE	WT.	REF
NONE		N/A
SHEET		2

21-33101-27

N/A