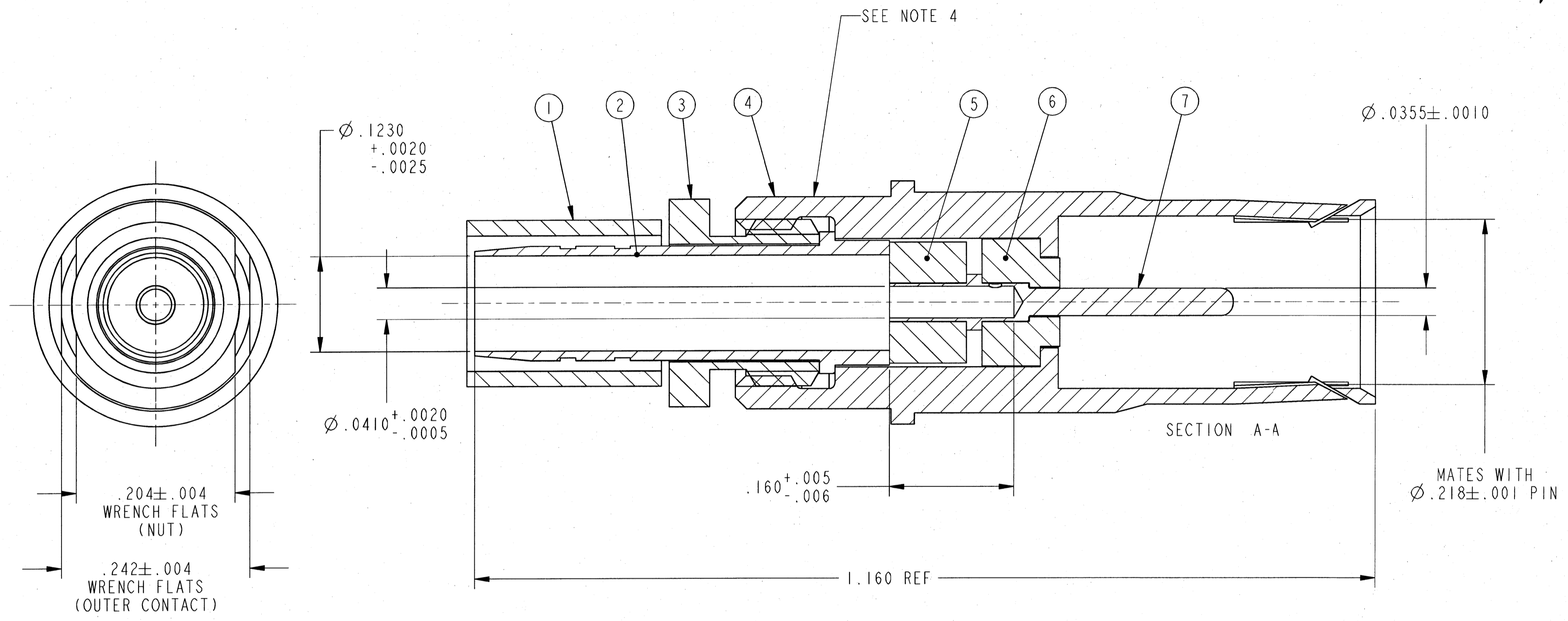


REVISIONS			
LTR	DESCRIPTION	DATE	APPVD
A	INITIAL RELEASE NUM: 70099-247		
B	(CL11) ADDED NOTE 6 ECN: 87801	2/8/00 D. ALGER	<i>L. Ratchford</i>



- 5. FOR USE WITH COAX CABLE MI7/028-RG058 OR EQUIVALENT.
- 4. BLACK INK STAMP TRADEMARK PER 9-6700, TYPE IV, PER 9-7530 OR 9-3856-5 IN APPROX POSITION SHOWN ON THE OUTER CONTACT. TRADEMARK DIRECTION OPTIONAL AND MAY BE SOLID.
- 3. INDICATED ITEM NOT ILLUSTRATED.
- 2. DRAWING ILLUSTRATES FINAL ASSEMBLY. COMPLETE INSTALLATION INSTRUCTIONS, (F/N 8), ARE PACKAGED WITH EACH ASSEMBLY. PACKAGE PER PRODUCTION PROCESS SHEET.
- 1. PROCESS SPEC:
TEST 9-5272-24, 9-6700, 9-7530, 9-3856-5.
- 6. MEETS THE APPLICABLE DIMENSIONAL AND PERFORMANCE REQUIREMENTS OF M39029/59.

POS	QTY	PART NUMBER	DESCRIPTION	NOTE
9	1	21-33321-9	PIGGYBACK GROMMET SEAL	3
8	1	21-1560-21	INSTALLATION INSTRUCTIONS	2,3
7	1	21-357-55	INNER CONTACT	
6	1	21-1305-35	FRONT INSULATOR	
5	1	21-1312-20	BACK INSULATOR	
4	1	21-459-85	OUTER CONTACT	4
3	1	21-1552-85	NUT	
2	1	21-261-65	RETAINER	
1	1	10-92703-205	FERRULE	

<p>UNLESS OTHERWISE SPECIFIED</p> <p>LINEAR DIMENSIONS ARE IN INCHES</p> <p>TOLERANCES:</p> <p>.XXXX = ± .0005</p> <p>.XXX = ± .010</p> <p>.XX = ± .03</p> <p>.X = ± .1</p> <p>ANGLES = ± 2°</p> <p>OTHER STANDARDS PER 9-3800 AND DDG-D-1000</p> <p>THIRD ANGLE PROJECTION</p>	<p>SPECIFICATIONS</p> <p>MATERIAL SPEC. N/A</p> <p>PROCESS SPEC. SEE NOTE 1</p>	<p>APPROVALS</p> <p>DATE</p> <p>PREPARED RATCHFORD 13-Nov-96</p> <p>CHECKED L. RATCHFORD 8/25/99</p> <p>MATERIAL J. TOKAROWSKI 8/25/99</p> <p>APPROVED L. RATCHFORD 8/25/99</p> <p>APPROVED L. RATCHFORD 8/25/99</p>		<p>PARTS LIST</p> <p>AMPHENOL CORPORATION</p> <p>BENDIX CONNECTOR OPERATIONS SIDNEY, N.Y.</p> <p>CONTACT, SOCKET, COAXIAL, SIZE 8, U ELECTRICAL CONNECTOR, TYPE LJT-RE</p>		
		<p>PROJ/ENG INFORMATION</p> <p>21-33101-29.ASSEM</p> <p>21-33101-29</p>		<p>SIZE</p> <p>C</p>	<p>FSCM NO.</p> <p>77820</p>	<p>DOCUMENT NO.</p> <p>21-33101-29</p>
		<p>SCALE: 10.0 REF: 21-33101-24</p>		<p>REV. B</p>		<p>SHEET 1 OF 1</p>
		<p>STAMPING DATA</p> <p>COMPANY ID: 9 CODED/MS/CUST: N N/A</p> <p>INTERNAL: N LOT NO: N N/A</p> <p>DATE CODE: N SEE DRAW: N N/A</p>		<p>NEXT ASSEMBLY</p>		

NOTES:

THE USE OF THIS DOCUMENT IS UNLIMITED. HOWEVER, DOCUMENTS REFERENCED HEREON MAY CONTAIN LIMITED RIGHTS DATA.