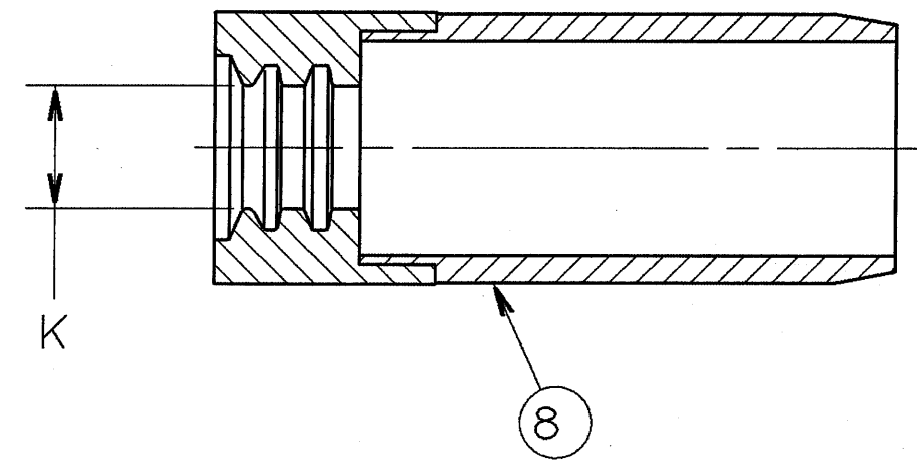
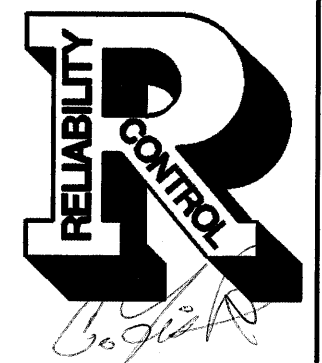
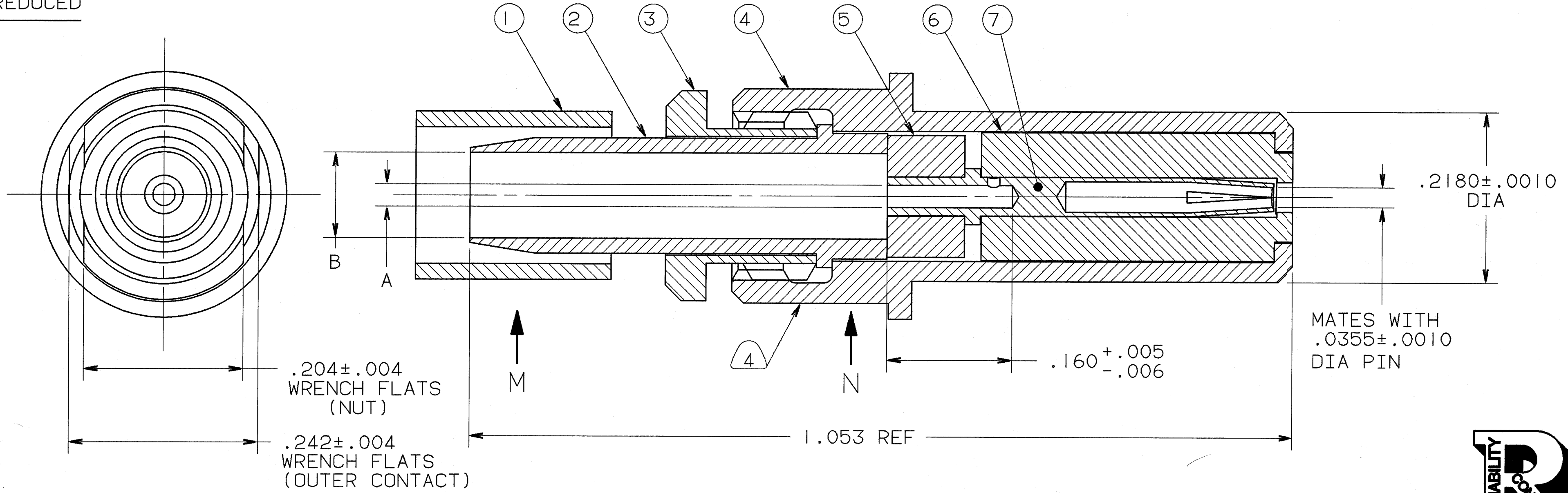
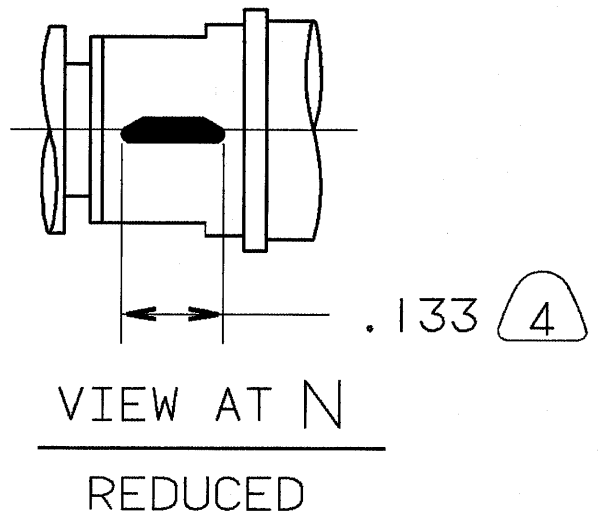
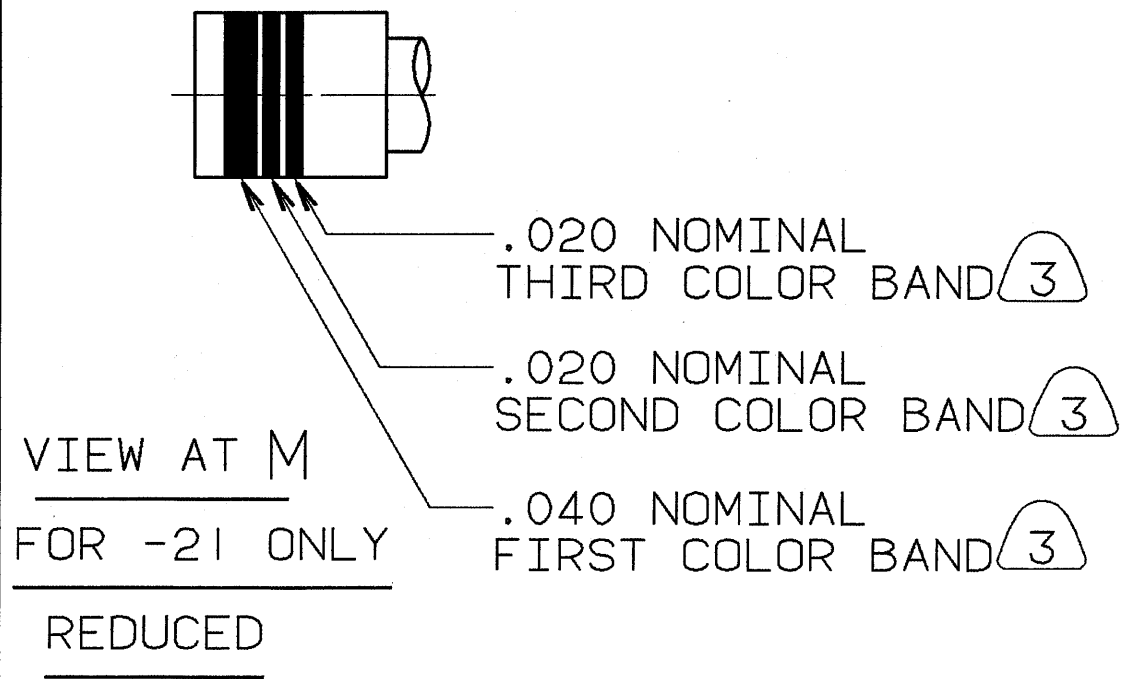


3/13/72		REVISIONS	53536-75
ZONE	LTR	DESCRIPTION	DATE
	L	(CL II) REDRAWN, SAME SIZE, SEE CHANGE NOTICE. ECN: 78869-1	2/10/88 MCELLIGOTT
			APPROVED <i>Hesbit</i>



FOR 21-33102-23, -24, -25 & -26 ONLY
REDUCED

SEE SHEET 2.
NOTES:

THE USE OF THIS DOCUMENT IS UNLIMITED. HOWEVER, DOCUMENTS REFERENCED HEREON MAY CONTAIN LIMITED RIGHTS DATA.

UNLESS OTHERWISE SPECIFIED LINEAR DIMENSIONS ARE IN INCHES.
TOLERANCES: .XXX±.010, .XX ±.03, .X ±.1, ANGLES ±2°. OTHER STANDARDS PER 9-3800 AND DOD-D-1000.
NOTE REF. = **XX**

9	1		SEE COLUMN	INSTALLATION INSTRUCTIONS	2, 7
8			SEE COLUMN	PIGGYBACK GROMMET SEAL	
7	1		SEE COLUMN	SOCKET CONTACT	
6	1		21-1305-33	FRONT INSULATOR	
5	1		21-1312-20	BACK INSULATOR	
4	1		21-460-85	OUTER CONTACT	4
3	1		21-1552-85	NUT	
2	1		SEE COLUMN	RETAINER	
1	1		SEE COLUMN	FERRULE	3

SPECIFICATIONS		SIGNATURES		DATES	
MATERIAL SPEC. N/A		<i>M. Muscott</i>		2/1/88	
PROCESS SPEC. SEE NOTE 5		<i>W. Davis</i>		2/18/88	
		<i>Hammer</i>		2-18-88	
		<i>W. Davis</i>		19-Feb-88	
		1ST PART NO.			
FIND NO.		QTY REQD.		FSCM NO.	
PART NUMBER		DESCRIPTION		NOTE REF.	
PARTS LIST					
AMPHENOL CORPORATION BENDIX CONNECTOR OPERATIONS SIDNEY, N.Y.					
CONTACT, PIN, COAXIAL, SIZE 8, ELECTRICAL CONNECTOR, TYPE LJT-RE					
SIZE C		FSCM NO. 77820		21-33102	
SCALE NONE		WT.		REF 21-33012	
SHEET 1		OF 2		REV. L	

ASSEMBLY NUMBER	USE WITH COAX CABLE	INSTALLATION INSTRUCTIONS	FERRULE	RETAINER	SOCKET CONTACT	PIGGYBACK GROMMET SEAL		A DIA +.0020 -.0005	B DIA +.0020 -.0025	K REF
						PART NUMBER	QTY			
21-33102-21	M17/095-RG180 RG195A/U	21-1560-1	21-33904-4	21-211-195	21-457-65			.0280	.1090	
21-33102-22	MCDONNELL 5M1010	21-1560-2	10-92703-205	21-211-225	21-457-65			.0280	.1366	
21-33102-23	M17/094-RG179 M17/113-RG316 M17/119-RG174	21-1560-3	10-92703-145	21-261-85	21-457-65	21-33321-7	1	.0280	.0690	.082
21-33102-24	M17/060-RG142	21-1560-4	10-92703-285	21-261-65	21-457-55	21-33321-9	1	.0410	.1230	.165
21-33102-25	RG316 DOUBLE SHIELD	21-1560-10	10-92703-165	21-261-85	21-457-65	21-33321-7	1	.0280	.0690	.082
21-33102-26	RAYCHEM 7524D5111-9	21-1560-13	10-92703-205	21-291-15	21-457-205	21-33321-10	1	.0300	.1190	.107

TABLE I

ASSEMBLY NUMBER	MILITARY PART NUMBER	COLOR BANDS		
		FIRST BAND	SECOND BAND	THIRD BAND
21-33102-21	M39029/60-367	ORANGE	BLUE	VIOLET

8. COAXIAL CONTACT ASSEMBLY NUMBER 21-33102-26 WILL TERMINATE ONLY THE INNER COAXIAL PORTION OF TRIAXIAL CABLE RAYCHEM 7524D5111-9.
7. INDICATED ITEM NOT ILLUSTRATED.
6. SPECIFICATION 9-6000-4 APPLIES TO ASSEMBLY NUMBERS LISTED IN TABLE I ONLY.
5. PROCESS SPEC:
TEST 9-5272-24;
PROCESS SHEET CONTROL 9-4796;
9-6700, 9-7530, 9-3856-5;
SPECIAL CONTROLS 9-6000-4, SEE NOTE 6.
4. BLACK INK STAMP TRADEMARK PER 9-6700, TYPE IV PER 9-7530 OR 9-3856-5 IN APPROX POSITION SHOWN ON OUTER CONTACT. TRADEMARK DIRECTION OPTIONAL AND MAY BE SOLID AS SHOWN.
3. INDICATED COLOR BANDS ARE FOR REFERENCE ONLY, AND ONLY FOR USE WITH ASSEMBLY NUMBERS LISTED IN TABLE I.
2. DRAWING ILLUSTRATES FINAL ASSEMBLY. COMPLETE INSTALLATION INSTRUCTIONS, (F/N 9), ARE PACKAGED WITH EACH ASSEMBLY. PACKAGE PER PRODUCTION PROCESS SHEET.
1. FOR INDICATED CONTACT ASSEMBLIES, USE THE 10-452952 PIGGYBACK GROMMET SEAL SUPPLIED WITH THE ELECTRICAL CONNECTOR ASSEMBLY.

NOTES:

THE USE OF THIS DOCUMENT IS UNLIMITED. HOWEVER, DOCUMENTS REFERENCED HEREON MAY CONTAIN LIMITED RIGHTS DATA.

SIZE C	FSCM NO. 77820	21-33102	REV. L
SCALE	WT.	REF	SHEET 2

COMPUTER GENERATED DRAWING

TAB.



21-33102