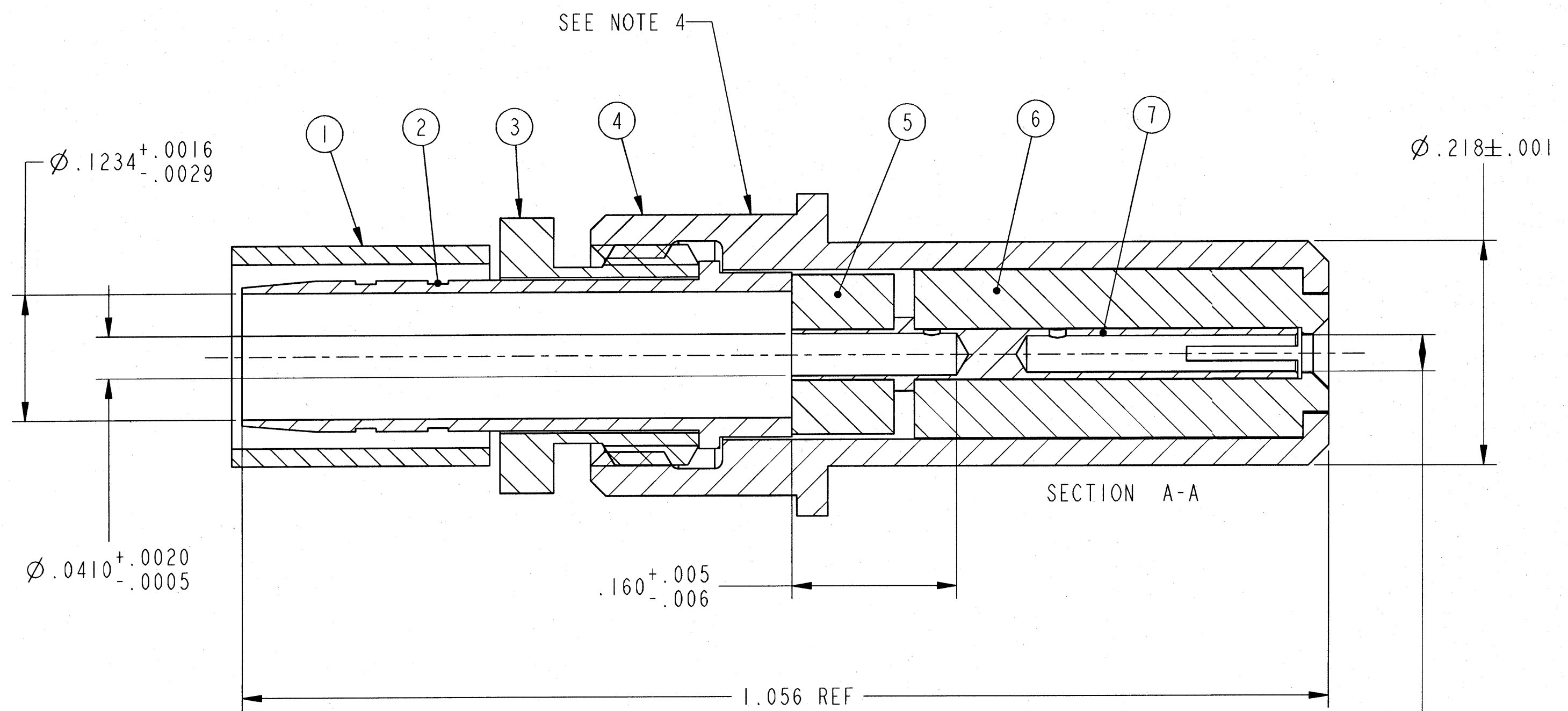
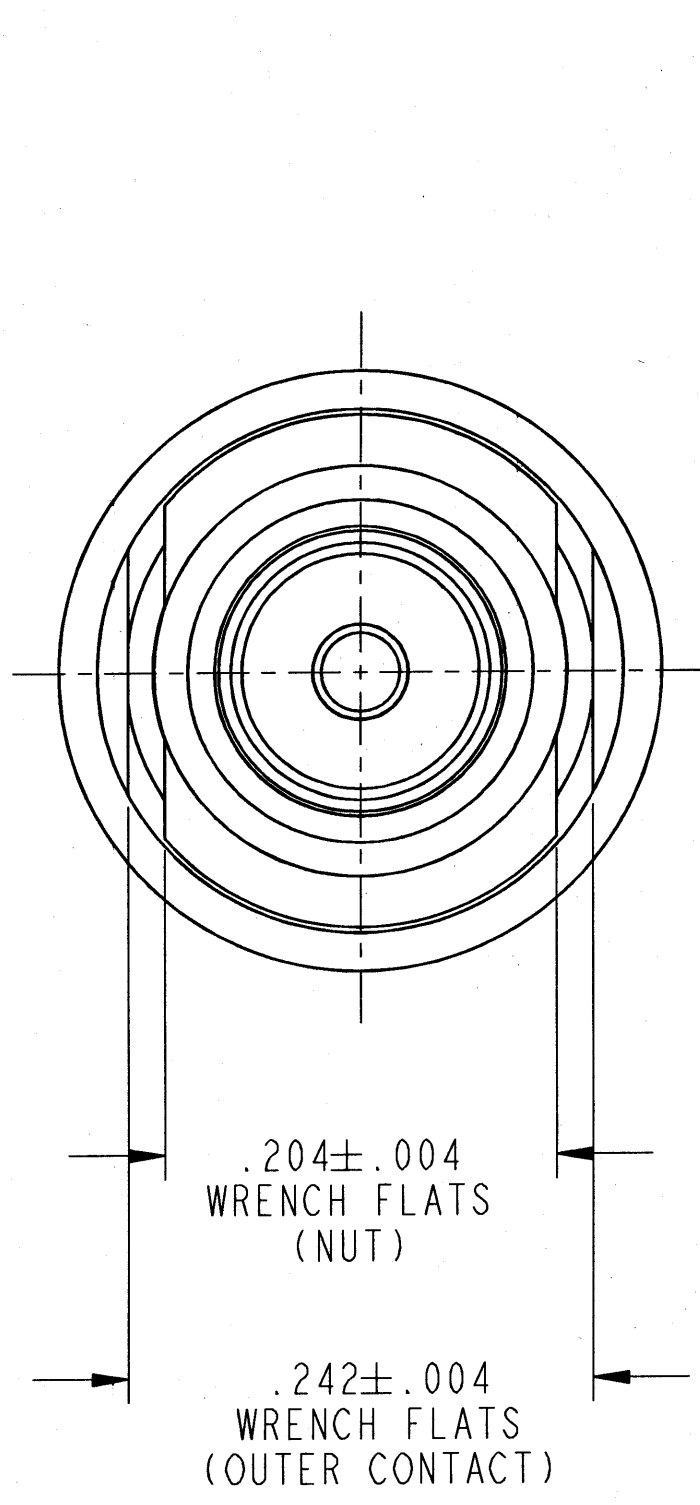


REVISIONS			
LTR	DESCRIPTION	DATE	APPVD
A	INITIAL RELEASE NUM: B2000-40		



MATES WITH
Ø .0355 ± .0010 PIN

- 6. MEETS THE APPLICABLE DIMENSIONAL AND PERFORMANCE REQUIREMENTS OF M39029/60.
- 5. FOR USE WITH COAX CABLE MI7/028-RG058 OR EQUIVALENT.
- 4. BLACK INK STAMP TRADEMARK PER 9-6700, TYPE IV, PER 9-7530 OR 9-3856-5 IN APPROX POSITION SHOWN ON THE OUTER CONTACT. TRADEMARK DIRECTION OPTIONAL AND MAY BE SOLID.
- 3. INDICATED ITEM NOT ILLUSTRATED.
- 2. DRAWING ILLUSTRATES FINAL ASSEMBLY. COMPLETE INSTALLATION INSTRUCTIONS, (F/N 8), ARE PACKAGED WITH EACH ASSEMBLY. PACKAGE PER PRODUCTION PROCESS SHEET.
- 1. PROCESS SPEC:
TEST 9-5272-24, 9-6700, 9-7530, 9-3856-5.

NOTES:

THE USE OF THIS DOCUMENT IS UNLIMITED. HOWEVER, DOCUMENTS REFERENCED HEREON MAY CONTAIN LIMITED RIGHTS DATA.

COMPANY ID: 9	CODED/MS/CUST: N	N/A
INTERNAL: N	LOT NO: N	N/A
DATE CODE: N	SEE DRAW: N	N/A
STAMPING DATA		NEXT ASSEMBLY

UNLESS OTHERWISE SPECIFIED	SPECIFICATIONS	POS	QTY	PART NUMBER	DESCRIPTION	NOTE
LINEAR DIMENSIONS ARE IN INCHES TOLERANCES: .XXXX = ±.0005 .XXX = ±.010 .XX = ±.03 .X = ±.1 ANGLES = ±2° OTHER STANDARDS PER 9-3800 AND DOD-D-1000 THIRD ANGLE PROJECTION	MATERIAL SPEC.					
	PROCESS SPEC.					
SEE NOTE 1						
				PARTS LIST		
				AMPHENOL CORPORATION BENDIX CONNECTOR OPERATIONS SIDNEY, N.Y.		
				CONTACT, PIN, COAXIAL, SIZE 8, ELECTRICAL CONNECTOR, TYPE LJT-RE		U
				SIZE: C FSCM NO.: 77820 DOCUMENT NO.: 21-33102-29 SCALE: 10.0 REF: 21-33102	REV. A	
				SHEET 1 OF 1		

FAMCODES DATA3: FALSE CICS: FALSE

21-33102-29