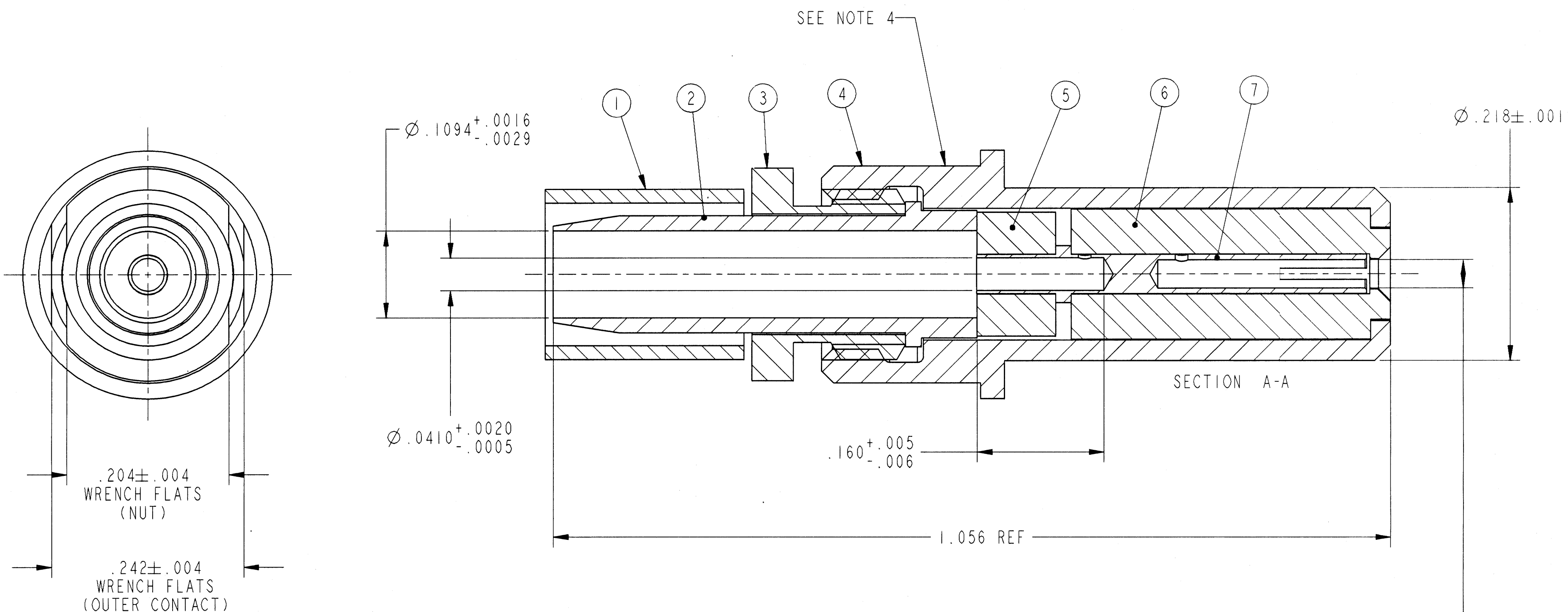


REVISIONS			
LTR	DESCRIPTION	DATE	APPVD
A	INITIAL RELEASE NUM: 7009e-318		



- 6. USE THE 10-452952 PIGGYBACK GROMMET SEAL SUPPLIED WITH THE ELECTRICAL CONNECTOR ASSEMBLY.
- 5. FOR USE WITH COAX CABLE 5M2869-001.
- 4. BLACK INK STAMP TRADEMARK PER 9-6700, TYPE IV, PER 9-7530 OR 9-3856-5 IN APPROX POSITION SHOWN ON THE OUTER CONTACT. TRADEMARK DIRECTION OPTIONAL AND MAY BE SOLID.
- 3. INDICATED ITEM NOT ILLUSTRATED.
- 2. DRAWING ILLUSTRATES FINAL ASSEMBLY. COMPLETE INSTALLATION INSTRUCTIONS, (F/N 8), ARE PACKAGED WITH EACH ASSEMBLY. PACKAGE PER PRODUCTION PROCESS SHEET.
- 1. PROCESS SPEC:
TEST 9-5272-24, 9-6700, 9-7530, 9-3856-5.

NOTES:
THE USE OF THIS DOCUMENT IS UNLIMITED. HOWEVER, DOCUMENTS REFERENCED HEREON MAY CONTAIN LIMITED RIGHTS DATA.

COMPANY ID: 9	CODED/MS/CUST: N	N/A
INTERNAL: N	LOT NO: N	N/A
DATE CODE: N	SEE DRAW: N	N/A
STAMPING DATA		NEXT ASSEMBLY

UNLESS OTHERWISE SPECIFIED	SPECIFICATIONS	POS	QTY	PART NUMBER	DESCRIPTION	NOTE																																																								
PARTS LIST																																																														
<table border="1"> <tr> <td>8</td> <td>1</td> <td>21-1560-19</td> <td></td> <td>INSTALLATION INSTRUCTIONS</td> <td></td> <td>2, 3</td> </tr> <tr> <td>7</td> <td>1</td> <td>21-457-55</td> <td></td> <td>INNER CONTACT</td> <td></td> <td></td> </tr> <tr> <td>6</td> <td>1</td> <td>21-1305-33</td> <td></td> <td>FRONT INSULATOR</td> <td></td> <td></td> </tr> <tr> <td>5</td> <td>1</td> <td>21-1312-20</td> <td></td> <td>BACK INSULATOR</td> <td></td> <td></td> </tr> <tr> <td>4</td> <td>1</td> <td>21-460-85</td> <td></td> <td>OUTER CONTACT</td> <td></td> <td>4</td> </tr> <tr> <td>3</td> <td>1</td> <td>21-1552-85</td> <td></td> <td>NUT</td> <td></td> <td></td> </tr> <tr> <td>2</td> <td>1</td> <td>21-211-195</td> <td></td> <td>RETAINER</td> <td></td> <td></td> </tr> <tr> <td>1</td> <td>1</td> <td>21-33719-1</td> <td></td> <td>FERRULE</td> <td></td> <td></td> </tr> </table>							8	1	21-1560-19		INSTALLATION INSTRUCTIONS		2, 3	7	1	21-457-55		INNER CONTACT			6	1	21-1305-33		FRONT INSULATOR			5	1	21-1312-20		BACK INSULATOR			4	1	21-460-85		OUTER CONTACT		4	3	1	21-1552-85		NUT			2	1	21-211-195		RETAINER			1	1	21-33719-1		FERRULE		
8	1	21-1560-19		INSTALLATION INSTRUCTIONS		2, 3																																																								
7	1	21-457-55		INNER CONTACT																																																										
6	1	21-1305-33		FRONT INSULATOR																																																										
5	1	21-1312-20		BACK INSULATOR																																																										
4	1	21-460-85		OUTER CONTACT		4																																																								
3	1	21-1552-85		NUT																																																										
2	1	21-211-195		RETAINER																																																										
1	1	21-33719-1		FERRULE																																																										
<table border="1"> <tr> <td colspan="2">MATERIAL SPEC.</td> <td colspan="2">APPROVALS</td> <td colspan="2">DATE</td> <td rowspan="3"> AMPHENOL CORPORATION <small>BENDIX CONNECTOR OPERATIONS SIDNEY, N.Y.</small> CONTACT, PIN, COAXIAL, SIZE 8, ELECTRICAL CONNECTOR, TYPE LJT-RE </td> </tr> <tr> <td colspan="2">N/A</td> <td>PREPARED</td> <td>RATCHFORD</td> <td colspan="2">13-NOV-96</td> </tr> <tr> <td colspan="2"></td> <td>CHECKED</td> <td><i>S. Ratchford</i></td> <td colspan="2">11-20-96</td> </tr> <tr> <td colspan="2">PROCESS SPEC.</td> <td>APPROVED</td> <td><i>S. Ratchford</i></td> <td colspan="2">11-20-96</td> <td></td> </tr> <tr> <td colspan="2">SEE NOTE 1</td> <td colspan="2">PRO/ENG INFORMATION</td> <td>SIZE</td> <td>FSCM NO.</td> <td>DOCUMENT NO.</td> </tr> <tr> <td colspan="2"></td> <td colspan="2">TV_8P_COAX.ASSEM</td> <td>C</td> <td>77820</td> <td>21-33102-37</td> </tr> <tr> <td colspan="2"></td> <td colspan="2">21-33102-37</td> <td>SCALE: 10.0</td> <td>REF: 21-33102</td> <td>SHEET 1 OF 1</td> </tr> </table>							MATERIAL SPEC.		APPROVALS		DATE		AMPHENOL CORPORATION <small>BENDIX CONNECTOR OPERATIONS SIDNEY, N.Y.</small> CONTACT, PIN, COAXIAL, SIZE 8, ELECTRICAL CONNECTOR, TYPE LJT-RE	N/A		PREPARED	RATCHFORD	13-NOV-96				CHECKED	<i>S. Ratchford</i>	11-20-96		PROCESS SPEC.		APPROVED	<i>S. Ratchford</i>	11-20-96			SEE NOTE 1		PRO/ENG INFORMATION		SIZE	FSCM NO.	DOCUMENT NO.			TV_8P_COAX.ASSEM		C	77820	21-33102-37			21-33102-37		SCALE: 10.0	REF: 21-33102	SHEET 1 OF 1									
MATERIAL SPEC.		APPROVALS		DATE		AMPHENOL CORPORATION <small>BENDIX CONNECTOR OPERATIONS SIDNEY, N.Y.</small> CONTACT, PIN, COAXIAL, SIZE 8, ELECTRICAL CONNECTOR, TYPE LJT-RE																																																								
N/A		PREPARED	RATCHFORD	13-NOV-96																																																										
		CHECKED	<i>S. Ratchford</i>	11-20-96																																																										
PROCESS SPEC.		APPROVED	<i>S. Ratchford</i>	11-20-96																																																										
SEE NOTE 1		PRO/ENG INFORMATION		SIZE	FSCM NO.	DOCUMENT NO.																																																								
		TV_8P_COAX.ASSEM		C	77820	21-33102-37																																																								
		21-33102-37		SCALE: 10.0	REF: 21-33102	SHEET 1 OF 1																																																								

21-33102-37