

REV. A		SHEET 1 OF 1		21-33102-41	
REVISIONS					
LTR	DESCRIPTION			DATE	
A	INITIAL RELEASE				

21-33102-41

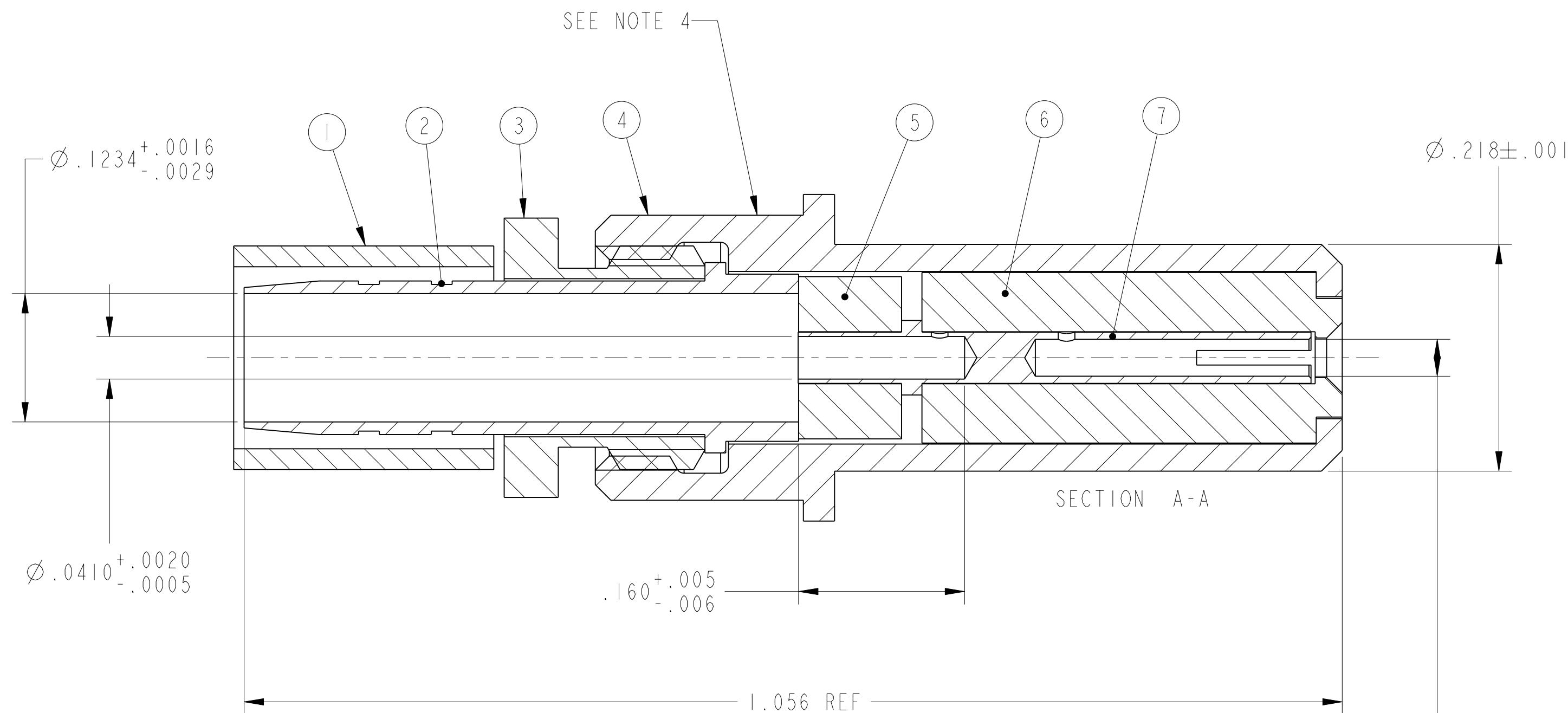
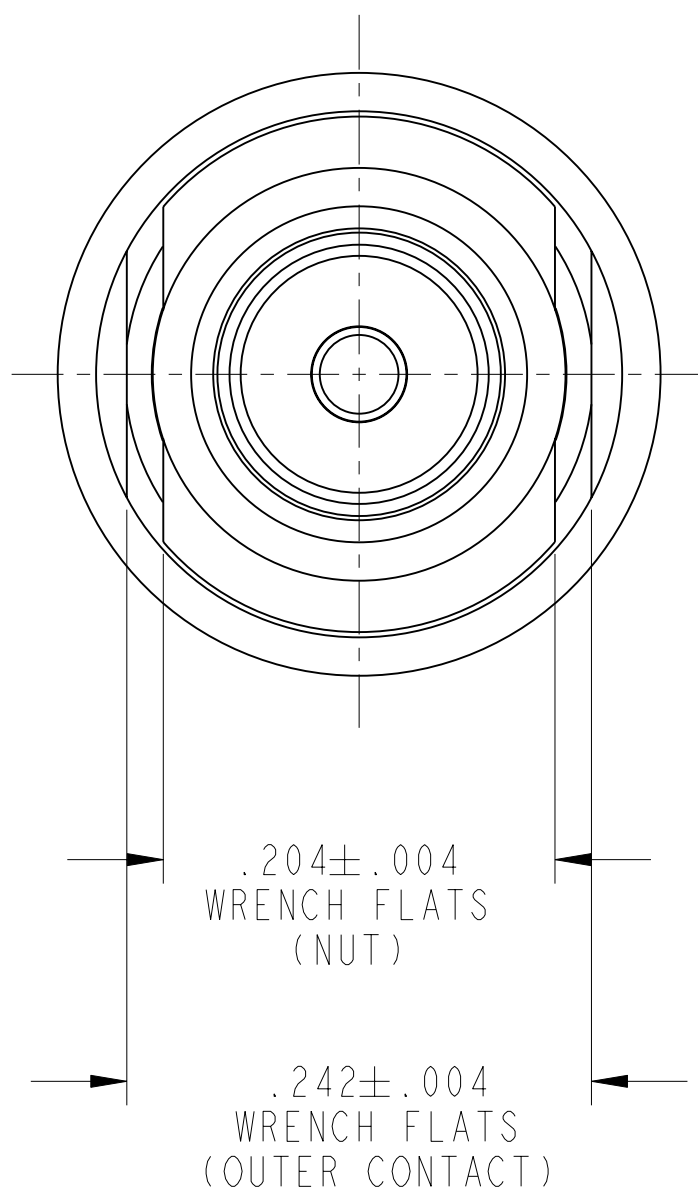
SHEET 1 OF 1

REV. A

C

B

A



MATES WITH
Ø .0355 ± .0010 PIN

- MEETS THE APPLICABLE DIMENSIONAL AND PERFORMANCE REQUIREMENTS OF M39029/60.
- FOR USE WITH COAX CABLE TFLEX-402 OR EQUIVALENT.
- BLACK INK STAMP TRADEMARK PER 9-6700, TYPE IV, PER 9-7530 OR 9-3856-5 IN APPROX POSITION SHOWN ON THE OUTER CONTACT. TRADEMARK DIRECTION OPTIONAL AND MAY BE SOLID.
- INDICATED ITEM NOT ILLUSTRATED.
- DRAWING ILLUSTRATES FINAL ASSEMBLY. COMPLETE INSTALLATION INSTRUCTIONS, (F/N 8), ARE PACKAGED WITH EACH ASSEMBLY. PACKAGE PER PRODUCTION PROCESS SHEET.

1. PROCESS SPEC:
 NOTES: TEST 9-5272-24, 9-6700, 9-7530, 9-3856-5.

THE USE OF THIS DOCUMENT IS UNLIMITED. HOWEVER, DOCUMENTS REFERENCED HEREON MAY CONTAIN LIMITED RIGHTS DATA.

N/A	PRO/ENGINEER INFORMATION
N/A	Pro/e Model Used: 21-33102-29.ASSEM
NEXT ASSEMBLY	Drawing Name: 21-33102-41

UNLESS OTHERWISE SPECIFIED

LINEAR DIMENSIONS ARE IN INCHES
 TOLERANCES:
 .XXXX = ±.0005 ANGLES = ±2°
 .XXX = ±.010
 .XX = ±.03
 .X = ±.1

DIM. & TOL. PER ASME Y14.5M;
 DRM PER MIL-DTL-31000;
 OTHER Amphenol Sds. PER 9-3800

LEGENDS:
 = FLAG NOTE CALL OUT REFERENCE ONLY

SPECIFICATIONS

MATERIAL SPEC.
N/A

PROCESS SPEC.
SEE NOTE 1

POS	QTY	PART NUMBER	DESCRIPTION	NOTE
9	1	21-33321-10	PIGGYBACK GROMMET SEAL	3
8	1	L-1107-AG	INSTALLATION INSTRUCTIONS	2,3
7	1	21-457-55	INNER CONTACT	
6	1	21-1305-33	FRONT INSULATOR	
5	1	21-1312-20	BACK INSULATOR	
4	1	21-460-85	OUTER CONTACT	4
3	1	21-1552-85	NUT	
2	1	21-261-65	RETAINER	
1	1	10-92703-205	FERRULE	

APPROVALS	DATE
PREPARED BY: RATCHFORD	05-Jun-04
ENGINEER IN CHARGE: RATCHFORD	
DESIGN MANAGER: A. DAVIS	
DESIGN ACTIVITY GROUP: MIL-AERO	

PARTS LIST

AMPHENOL CORPORATION
 40-60 DELAWARE AVENUE
 SIDNEY, N.Y. 13858

**CONTACT, PIN, COAXIAL, SIZE 8,
 ELECTRICAL CONNECTOR,
 TYPE LJT-RE**

SIZE C	CAGE CODE 77820	DOCUMENT NO. 21-33102-41	REV. A
------------------	---------------------------	------------------------------------	------------------

SCALE: 10.0 REF: 21-33102-29 SHEET 1 OF 1

RELEASED / Aug. 10 2004, 10:26 AM

21-33102-41

SHEET 1 OF 1

REV. A

SHEET 1 OF 1

B

21-33102-41

A

U