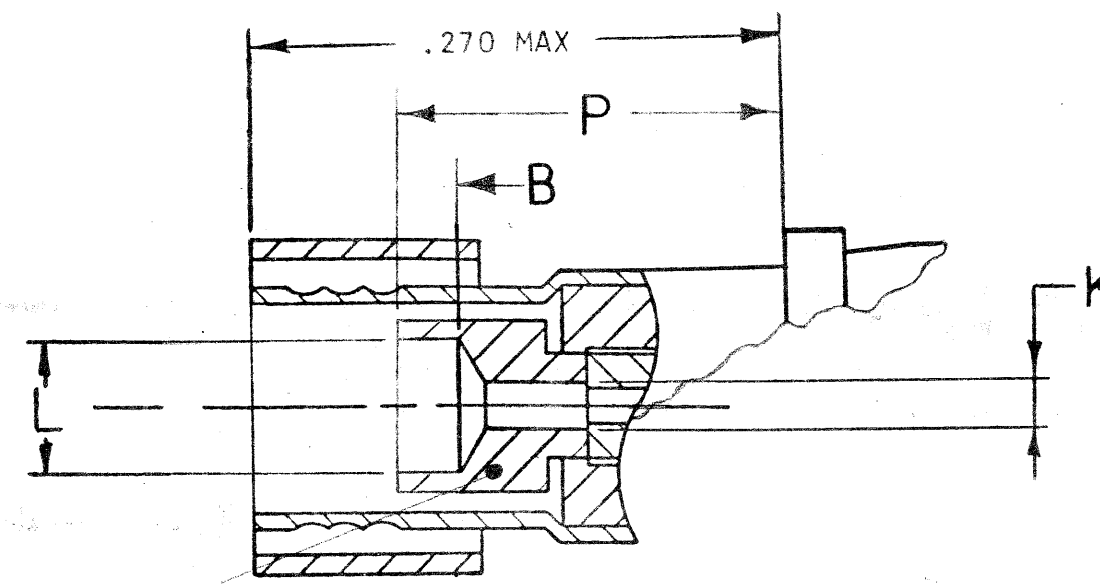
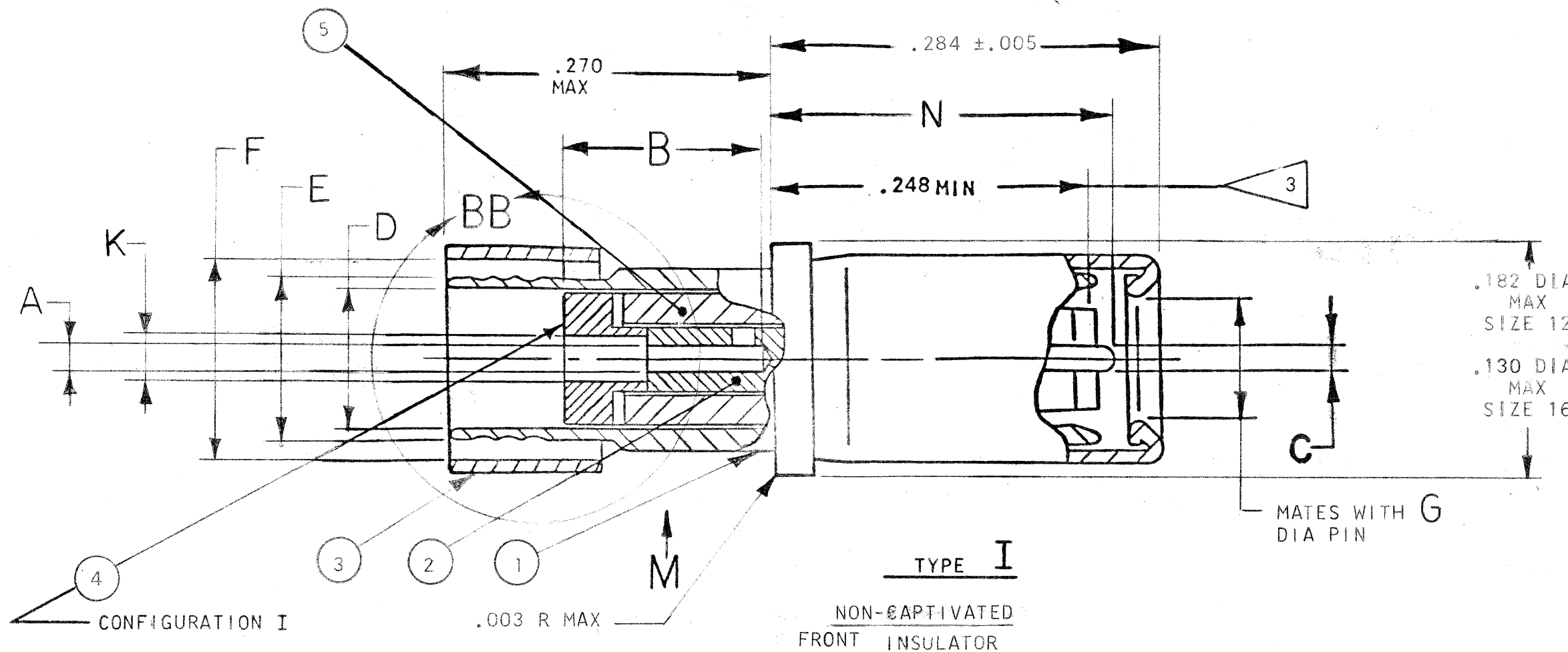


57500-184		REVISIONS		
ZONE	LTR	DESCRIPTION	DATE	APPROVED
	D	(MFG) REDRAWN, SAME SIZE, ADDED COLOR BANDS & INSTALLATION INSTRUCTIONS; REV PICT, PROCESS SPEC. ECN: 58371-9	11-29-76	LINDA HALL <i>Linda Hall</i>
	E	(DEV) WAS 21-33903-(1)62 ((21-33905-(1)62) FERRULE); ADDED NOTES 8 & 9 & FLAGS ECN: 70150-2	3-21-79	LONGWELL <i>Longwell</i>
	F	(MFG) 9-7530 WAS 9-6524 (PRCS SPEC BLK, NOTE 6). ECN: 70191-1	4/19/79	LODOVICE <i>Lodovick</i>
	G	(CL II) SEE CHANGE NOTICE 70460-1 ECN: 70460-1	11/11/79	LODOVICE <i>Lodovick</i>
	H	(CL II) REV. MIL P/N (NOTE 8 & COL) ECN: 71193-33	7-24-80	LONGWELL <i>Longwell</i>
	J	(CL II) ADD (-)49, (-)50, (-)51, (-)52 & DATA ECN: 73085-1	8-21-81	BIVIANO <i>Biviano</i>
	K	(CL II) ADD & RLSE -557 & DATA RLSE: 76500-166	7-10-85	RESCOTT <i>Rescott</i>
	L	(CL II) ADD 9-3856-5 INK STAMP SPEC ECN: 78172-1	3-27-87	Baker <i>Baker</i>
	M	(CL II) SEE CHANGE NOTICE ECN: 78773-1	12/02/87	Fliford <i>Fliford</i>
	N	(CL II) WAS 21-33903-(1)41 (-)47, FERRULE), ADDED RD316 DOUBLE SHIELD (-)47) 9-2-88 ECN: 20867-1	9-2-88	McIntelligott <i>McIntelligott</i>



FIND NO.	QTY REQD	CODE IDENT	PART NUMBER	DESCRIPTION	NOTE REF
6	1		SEE TABLE II	INSTALLATION INSTRUCTIONS SHEET	4
5	SEE COL.		SEE COLUMN	FRONT INSULATOR	
4	1		SEE COLUMN	REAR INSULATOR	
3	1		SEE COLUMN	FERRULE	
2	1		SEE COLUMN	PIN CONTACT	
1	1		SEE COLUMN	SOCKET CONTACT	

UNLESS OTHERWISE SPECIFIED		SIGNATURES	DATES
LINEAR DIMENSIONS ARE IN INCHES. TOLERANCES: .XXX ± .010, .XX ± .03, .X ± .1, ANGLES ± 2°. OTHER STANDARDS PER 9-3800 AND MIL-D-1000. NOTE REF		PREPARED R. C. GOULD	4-1-74
		CHECKED <i>Hemmett</i>	11-4-77
		MATERIAL D. FRITZ	5-11-77
		APPROVED <i>Hemmett</i>	12-7-76
		APPROVED <i>Hemmett</i>	11-7-77

The Bendix Corporation Electrical Components Division Sidney, New York			
TITLE: CONTACT, SOCKET COAXIAL, ELECTRICAL CONNECTOR, TYPE JT-R, MS			
SIZE	CODE IDENT NO.	21-33121	
C	77820	21-33121	
SCALE	WT	REF	SHEET
NONE	SEE PARTS LIST	21-33051	1 OF 4

SEE SHEET 2

NOTES:

NEXT ASSEMBLY

21-33121

TABLE I

ASSEMBLY NUMBER	MILITARY PART NUMBER REFERENCE	COLOR BANDS			BIN CODE
		FIRST BAND	SECOND BAND	THIRD BAND	
21-33121-541	M39029/27-402	YELLOW	BLACK	RED	402
-542	-403	YELLOW	BLACK	ORANGE	403
-543	-404	YELLOW	BLACK	YELLOW	404
-544					
-545	-406	YELLOW	BLACK	BLUE	406
-546	-210	RED	BROWN	BLACK	210
-547	-407	YELLOW	BLACK	VIOLET	407
-548	-408	YELLOW	BLACK	GRAY	408
-561	M39029/78-434	YELLOW	ORANGE	YELLOW	434
-562	-435	YELLOW	ORANGE	GREEN	435
-563	-432	YELLOW	ORANGE	RED	432
-564	-433	YELLOW	ORANGE	ORANGE	433
-550					
-552					
-557					

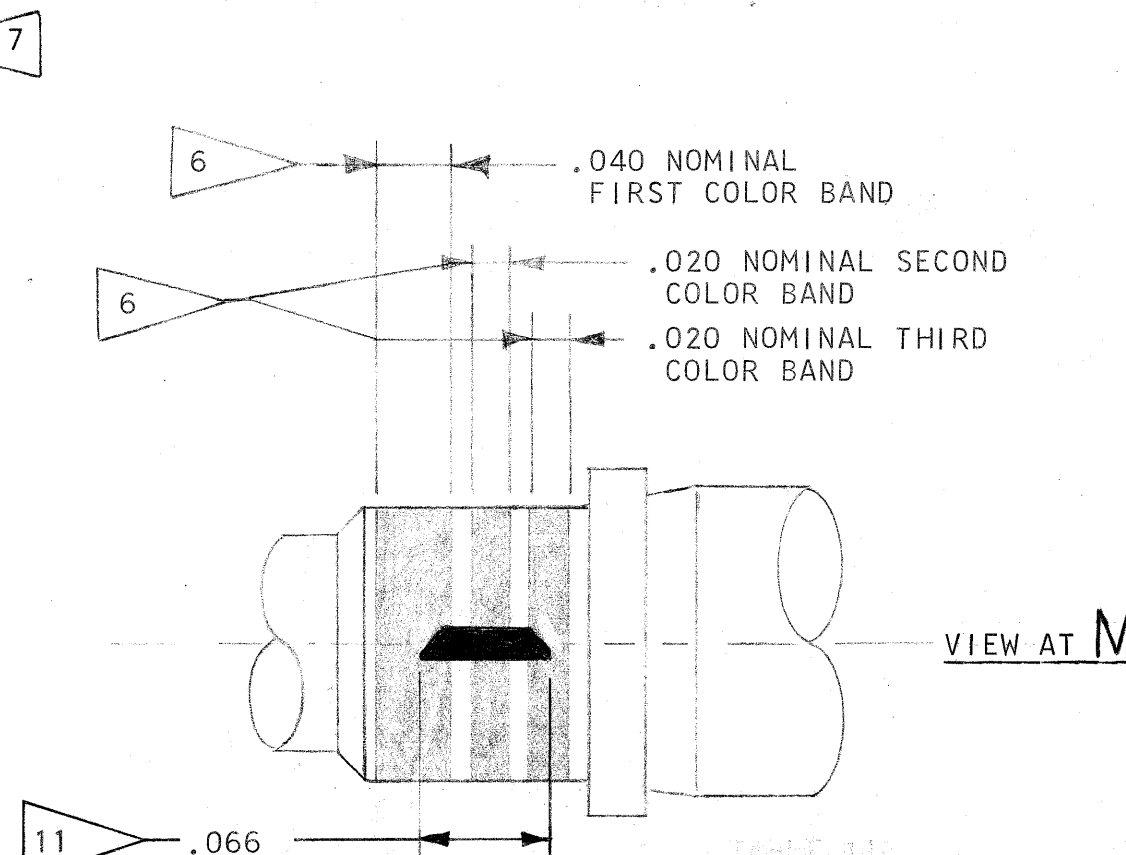


TABLE II, CONTINUED

ASSEMBLY NUMBER	INSTALLATION INSTRUCTIONS PART NUMBER
21-33121-557	21-1561-160
-457	-161
-F57	-162

TABLE II

ASSEMBLY NUMBER	INSTALLATION INSTRUCTIONS PART NUMBER
21-33121-541	21-1561-1
-542	-2
-543	-3
-544	-4
-545	-5
-546	-6
-547	-7
-548	-8
-561	-9
-562	-10
-563	-11
-564	-12
21-33121-441	-13
-442	-14
-443	-15
-444	-16
-445	-17
-446	-18
-447	-19
-448	-20
-461	-21
-462	-22
-463	-23
-464	-24
21-33121-F41	-25
-F42	-26
-F43	-27
-F44	-28
-F45	-29
-F46	-30
-F47	-31
-F48	-32
-F61	-33
-F62	-34
-F63	-35
-F64	-36
-565	-109
-465	-110
-F65	-111
-549	N/A
-449	N/A
-F49	N/A
-550	21-1561-118
-450	-119
-F50	-120
-551	N/A
-451	N/A
-F51	N/A
-552	21-1561-121
-452	-122
-F52	-123

7. BASIC IDENTIFICATION NUMBER (BIN) CODE IN ACCORDANCE WITH MIL-C-39029.

6. ONLY ASSEMBLY NUMBERS LISTED IN TABLE I ARE TO BE COLOR Banded ON SOCKET CONTACT. PERMANENTLY MARK IDENTIFICATION BANDS ON SOCKET CONTACT IN ACCORDANCE WITH VIEW AT M AND TABLE I PER 9-7530 OR 9-3856-5. THE FIRST COLOR BAND SHALL BE APPROXIMATELY TWICE THE WIDTH OF THE SECOND AND THIRD COLOR BANDS. BANDS OF CONTRASTING COLOR NEED NOT BE SEPARATED. BANDS OF THE SAME COLOR MUST BE SEPARATED BY .010 MIN.

5. CONTACT WILL ACCOMMODATE OTHER EQUIVALENT COAXIAL CABLES.

4. COMPLETE INSTALLATION INSTRUCTIONS (ITEM 6) PACKED WITH EACH ASSEMBLY. SEE TABLE II. PACKAGE PER PRODUCTION PROCESS SHEET.

3. FOR SIZE 16 CONTACT
INDICATED DIMENSION TO BE FROM REAR OF SHOULDER TO THE POINT AT WHICH A .0625±.0002 DIA SQUARE ENDED PIN ENGAGES THE SOCKET CONTACT SPRING.
FOR SIZE 12 CONTACT
INDICATED DIMENSION TO BE FROM REAR OF SHOULDER TO THE POINT AT WHICH A .0940±.0002 DIA SQUARE ENDED PIN ENGAGES THE SOCKET CONTACT SPRING.

2. FIRST CHARACTER OF SUFFIX SAME AS ASSEMBLY PER NOTE 1.

1. ADD FIRST CHARACTER TO SUFFIX FOR FINISH:

SUFFIX FIRST CHARACTER	FINISH	TEST SPEC.
4	.00010 MIN GOLD (KNOOP HARDNESS 130-200) OVER COPPER	
5	.00005 MIN GOLD (KNOOP HARDNESS 130-200) OVER NICKEL	9-5272-23
F	.00005 MIN GOLD (KNOOP HARDNESS 130-200) OVER COPPER	

12. PROCESS SPEC:
TEST 9-5272-23 SEE NOTE 1
SPECIAL CONTROLS 9-6000-4
SEE NOTE 10
PROCESS SHEET CONTROL 9-4796,
9-6700. 9-7530, 9-3856-5
11. INK STAMP TRADEMARK 9-6700, TYPE IV. PER 9-7530 OR 9-3856-5 IN APPROXIMATE POSITION SHOWN, DIRECTION OPTIONAL, AND TRADEMARK MAY BE SOLID AS SHOWN.
COLOR YELLOW, SIZE 12 ASSEMBLIES
COLOR BLUE, SIZE 16 ASSEMBLIES
WHERE COLOR BANDING IS REQUIRED PER NOTE 6, TRADEMARK IS TO BE STAMPED AFTER COLOR BANDING WITH ANY CONTRASTING COLOR.
10. SPECIFICATION 9-6000-4 APPLIES TO PART NUMBERS LISTED IN TABLE I ONLY.
9. EXCEPT FINISH ON FERRULE PART NUMBER 21-33905-562 IS: .00010 MIN GOLD (KNOOP HARDNESS 90 MAX) OVER COPPER.
8. THE FOLLOWING ASSEMBLY NUMBERS ARE QUALIFIED TO MIL-C-39029:

BENDIX ECD ASSEMBLY NUMBER	MIL-C-39029 PART NUMBER
21-33121-541	M39029/27-402
21-33121-546	M39029/27-210
21-33121-563	M39029/78-432
21-33121-564	M39029/78-433

SIZE	CODE IDENT NO.	21-33121	
C	77820		
SCALE	WT	REF	SHEET 2

REV SYM D E F G H J K L M N

4

3

2

1

ASSEMBLY NUMBER	COAXIAL CONTACT SIZE	TYPE	USE WITH COAXIAL CABLE NUMBER	SOCKET CONTACT	FERRULE	PIN CONTACT	FRONT INSULATOR	REAR INSULATOR	REAR INSULATOR CONFIG.	A DIA ±.0010	B	C DIA ±.0005	D DIA MIN	E DIA MAX	F DIA MIN	G ±.001	K DIA MIN	L DIA MIN	N ±.005	P MAX
21-33121-()41	12	I	RG-180B/U, RG-195A/U MICRODOT 293-3922 RAYCHEM 9528A 1318 RAYCHEM 9527D1514-2L	21-373-()42	21-33903-()41	21-368-()41	21-1379-42 (1 REQ'D)	21-1381-43	I	.0235	.190 +.008 -.003	.0200	.108	.126	.144	.094	.023	—	.271	—
-()42	12	I	MICRODOT 250-4070	-()42	-()41	-()43	21-1379-42 (1 REQ'D)	-44	I	.0365			.108	.126	.144		.036	—		—
-()43	12	II	RAYCHEM 5022E5111 & 48-502	21-370-()43	-()42	-()43	—	-42	I	.0365			.090	.109	.127		.036	—		—
-()44	12	II	RAYCHEM 9530A5314	-()43	-()42	-()41	—	21-33181-41	I	.0235			.090	.109	.127		.023	—		—
-()45	12	I	RAYCHEM 7624D1311, 9527A1318	21-373-()41	-()43	-()42	21-1379-41 (1 REQ'D)	21-1381-45	I	.0280			.117	.135	.156		.028	—		—
-()46	12	II	RG-187A/U, RG-179B/U RG-174A/U, RG-188A/U RG-316/U, RG-161/U HAVEG 8100207 TIMES (HS-179)AA 3248 TELEDYNE 11299 THERMAX 75-738BCCWXE TENSOLITE 30888/L707YX-1	21-370-()43	-()42	-()41	—	-51	II	.0235	.193 +.013 -.003		.090	.109	.127		.023	.067		.334
-()47	12	II	GORE GWN 1159A RD316 DOUBLE SHIELD	21-370-()43	-()44	-()41	—	-51	II	.0235			.090	.109	.144		.023	.067		.334
-()48	12	I	MIL-C-915-42A 1550MU-20 -16 -40 -70	21-373-()42	-()43	-()43	21-1379-42 (1 REQ'D)	-44	I	.0365	.190 +.008 -.003		.108	.126	.156		.036	—		—
-()49			NOT AVAILABLE																	
-()50	12	I	GORE CXN1362	21-373-()43	21-33903-()44	21-368-()43	21-1379-43 (1 REQ'D)	21-33181-53	II	.0365	.195 +.013 -.003	.0200	.100	.118	.138	.094	.033	.076	.271	.315
-()51	12		NOT AVAILABLE																	
-()52	12	II	DOD SM-A-975015 OR ITT SURPRENANT 8946 DS CABLE JACKET .155 DIA MAXIMUM	21-370-()43	21-33903-()45	21-368-()41	—	21-33181-41	I	.0235	.190 +.008 -.003	.0200	.090	.109	.156	.094	.023	—	.271	—
-()57	12	I	MICRO-DOT 295-3992	21-373-543	21-33903-544	21-368-541	21-1379-43	21-33181-53	II	.0235	.193 +.013 -.003	.0200	.1000	.118	.138	.094	.033	.076	.271	.315

SEE SHEET 2

NOTES:

SIZE	CODE IDENT NO.	21-33121	
C	77820		
SCALE	WT	REF	SHEET 3

REV SYM D E F G H J K L M N


TAB.

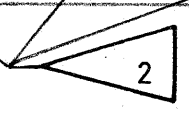
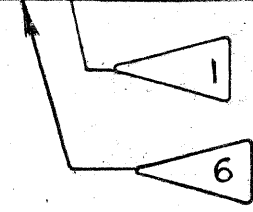
4

3

2

1

ASSEMBLY NUMBER	COAXIAL CONTACT SIZE	TYPE	USE WITH COAXIAL CABLE NUMBER 	SOCKET CONTACT	FERRULE	PIN CONTACT	FRONT INSULATOR	REAR INSULATOR	REAR INSULATOR CONFIG.	A DIA ±.0010	B	C DIA ±.0005	D DIA MIN	E DIA MAX	F DIA MIN	G ±.0010	K DIA MIN	L DIA MIN	N ±.005	P MAX
21-33121-()61	16	II	REVERE-WH95623 (RED SHIELDED) HAVEG 61-02051	21-370-()61	21-33905-()62	21-368-()61	—	21-1381-65	I	.0365	.161 +.008 -.003	.0150	.067	.085	.105	.0625	.036	—	.269	—
-()62	16	II	HAVEG 30-00761 HAVEG 30-02024 HAVEG 30-02033 TENSOLITE 24713/A955KK1 TENSOLITE 26723/A955KK1	↓ -()62	21-33903-()61	-()62	—	-62	II	.0280	.162 +.011 -.003		.0575	.076	.094		.028	.044		.234
-()63	16	I	RG-174A/U, RG-188A/U RG-316/U, RG-161/U RG-187A/U, RG-179B/U HAVEG 8100207 TIMES (HS-179)AA 3248 TELEDYNE 11299 THERMAX 75-738BCCWXE TENSOLITE 30888/L707YX-1	21-374-()62	21-33905-()62	-()63	21-1380-62 (1 REQ'D)	-64	I	.0220	.161 +.008 -.003		.067	.085	.105		.021	—		—
-()64	16	II	RG-178B/U, RG-196A/U	21-370-()62	21-33903-()61	-()63	—	-61	II	.0220	.162 +.011 -.003		.0575	.076	.094		.017	.036		.234
-()65	16	II	TIMES RD 178 DOUBLE BRAID	↓ -()62	21-33905-()62	↓ -()63	—	-61	II	.022	.162 +.011 -.003	↓	↓	↓	.105	↓	↓	↓	↓	↓



SEE SHEET 2

NOTES:

SIZE	CODE IDENT NO.	21-33121	
C	77820		
SCALE	WT	REF	SHEET 4

REV	D	E	F	G	H	J	K	L	M	N
-----	---	---	---	---	---	---	---	---	---	---

21-33121

TAB.