

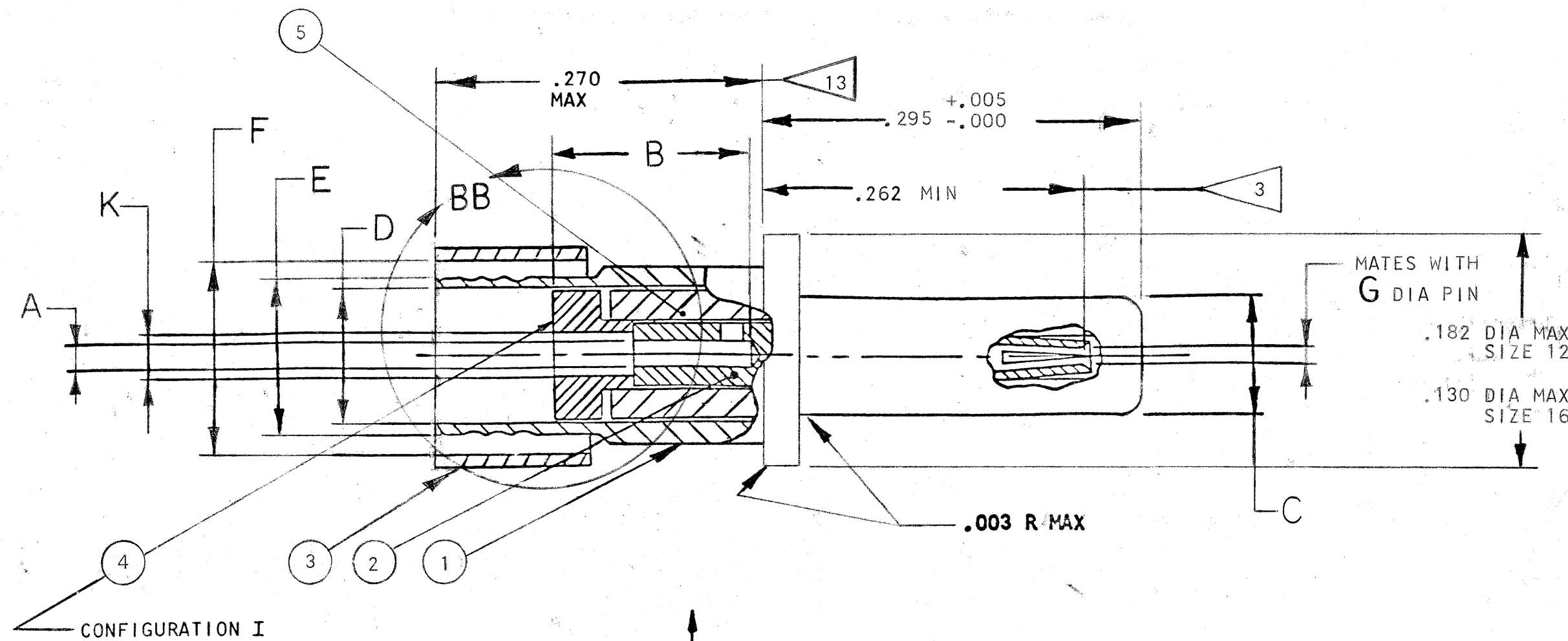
4

3

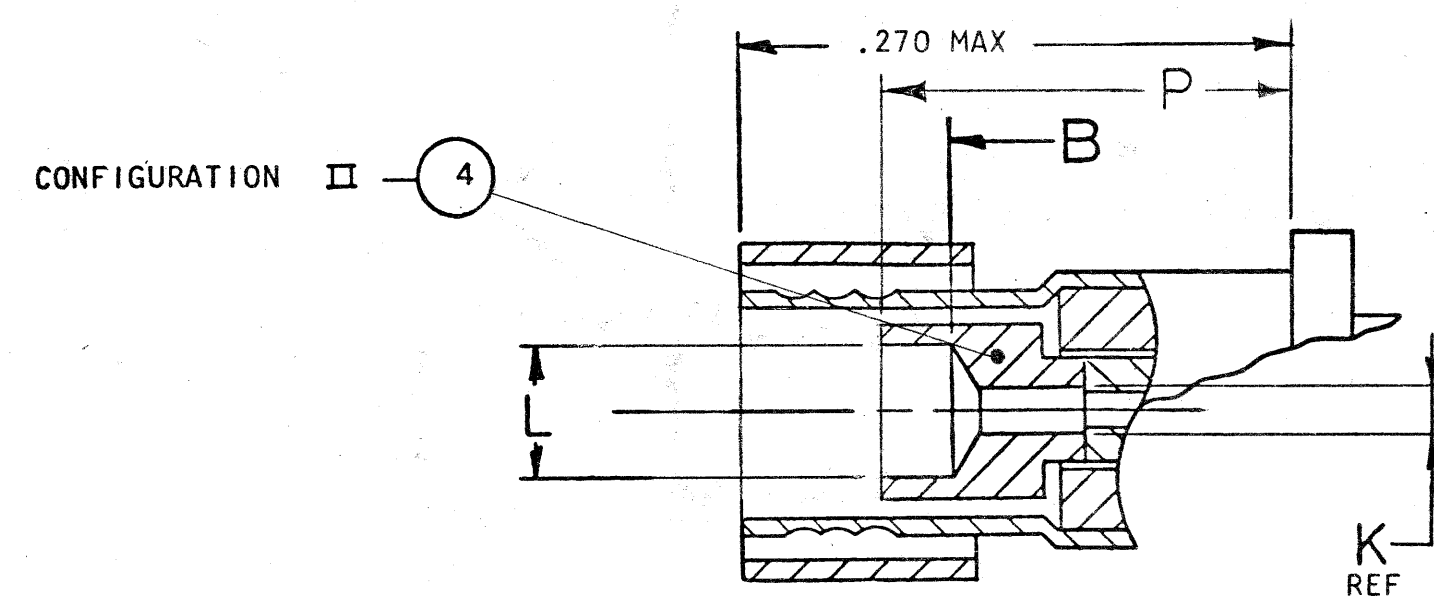
2

1

57500-178		REVISIONS		
ZONE	LTR	DESCRIPTION	DATE	APPROVED
	D	(MFG) REDRAWN SAME SIZE; ADDED TRADEMARK, INSTALLATION INSTRUCTIONS NO & COLOR BANDS; REV PICT, REV. PROCESS SPEC. ECN: 58371-10	11-30-76 LINDA HALL	<i>Hemmet</i>
	E	(DEV) WAS 21-33903-(1)62 ((21-33905-(1)62) FERRULE); ADDED NOTES 9 & 10 & FLAG 5 ECN: 70150-3	3-21-79 LONGWELL	<i>Flud</i>
	F	(MFG) WAS 3-6524 (NOTE 6), 3-1130 (NOTE 7); REM 3-6524, 3-1180 (PRCS SPEC BLK); ADDED 3-7530 (PRCS SPEC BLK). ECN: 70191-3	4/18/79 LODOVIC	<i>Lodovic</i>
	G	(CL II) ADDED NOTES 11 & 12, REV NOTE 9 & PRCS SPEC BLK. ECN: 70460-2	11/13/79 Lodovic	<i>Bowker</i>
	H	(CL II) REV MIL P/N (NOTE 9 & COL) ECN: 71193-34	7-24-80 LONGWELL	<i>Bowker</i>
	J	(CL II) ADD -(1)49, -(1)50 -(1)51 -(1)52 & DATA, NOTE 13 ECN: 73085-2	8-21-81 BIVIANO	<i>Prescott</i>
	K	(CL II) ADD & RLSE -557 & DATA RLSE: 76500-166	7-10-85 Prescott	<i>SK</i>
	L	(CL II) SEE CHG NOTICE ECN: 77810-1	2-11-87 McElligott	<i>McElligott</i>
	M	(CL II) ADD 9-3856-5 INK STAMP SPEC ECN: 78172-1	3-27-87 BAKER	<i>BB</i>
	N	(CL II) WAS 21-33903-(1)41-(1)47, FERRULE, ADDED RD316 DOUBLE SHIELD-(1)47) ECN: 20867-1	9-2-88 McElligott	<i>McElligott</i>



TYPE I  
NON-CAPTIVATED  
FRONT  
INSULATOR



TYPE II  
CAPTIVATED  
FRONT  
INSULATOR

6	1		SEE TABLE II	INSTALLATION INSTRUCTIONS SHEET	4
5	SEE COL		SEE COLUMN	FRONT INSULATOR	
4	1		SEE COLUMN	REAR INSULATOR	
3	1		SEE COLUMN	FERRULE	
2	1		SEE COLUMN	SOCKET CONTACT	
1	1		SEE COLUMN	PIN CONTACT	
FIND NO.	QTY REQD	CODE IDENT	PART NUMBER	DESCRIPTION	NOTE REF

UNLESS OTHERWISE SPECIFIED		SIGNATURES		DATES	
LINEAR DIMENSIONS ARE IN INCHES. TOLERANCES: .XXX ± .010, .XX ± .03, .X ± .1, ANGLES ± 2°. OTHER STANDARDS PER 9-3800 AND MIL-D-1000. NOTE REF		PREPARED	BURT FINCH		3-28-74
		CHECKED	<i>Hemmet</i>		11-4-77
		MATERIAL	D. FRITZ		5-11-77
		APPROVED	<i>Hemmet</i>		12-7-76
		APPROVED	<i>Hemmet</i>		11-7-77
MATERIAL SPEC		PROCESS SPEC		SEE NOTE 12	

The Bendix Corporation Electrical Components Division Sidney, New York		
TITLE: CONTACT, PIN COAXIAL, ELECTRICAL CONNECTOR, TYPE JT-R, MS		
SIZE	CODE IDENT NO.	
C	77820	21-33122
SCALE	WT	REF
NONE	SEE PARTS LIST	21-33052
SHEET		1 OF 4

SEE SHEET 2

NOTES:

USE OF THIS DOCUMENT IS UNLIMITED. DOCUMENTS REFERENCED HEREON CONTAIN LIMITED RIGHTS DATA.

NEXT ASSEMBLY

105059511

TAB.

21-33122

4

3

2

1

TABLE I

ASSEMBLY NUMBER	MILITARY PART NUMBER REFERENCE	COLOR BANDS			BIN CODE
		FIRST BAND	SECOND BAND	THIRD BAND	
21-33122-541	M39029/28-409	YELLOW	BLACK	WHITE	409
-542	-410	YELLOW	BROWN	BLACK	410
-543	-411	YELLOW	BROWN	BROWN	411
-544					
-545	M39029/28-413	YELLOW	BROWN	ORANGE	413
-546	-211	RED	BROWN	BROWN	211
-547	-414	YELLOW	BROWN	YELLOW	414
-548	-415	YELLOW	BROWN	GREEN	415
-561	M39029/76-426	YELLOW	RED	BLUE	426
-562	-427	YELLOW	RED	VIOLET	427
-563	-424	YELLOW	RED	YELLOW	424
-564	-425	YELLOW	RED	GREEN	425
-550					
-551					
-552					
-557					

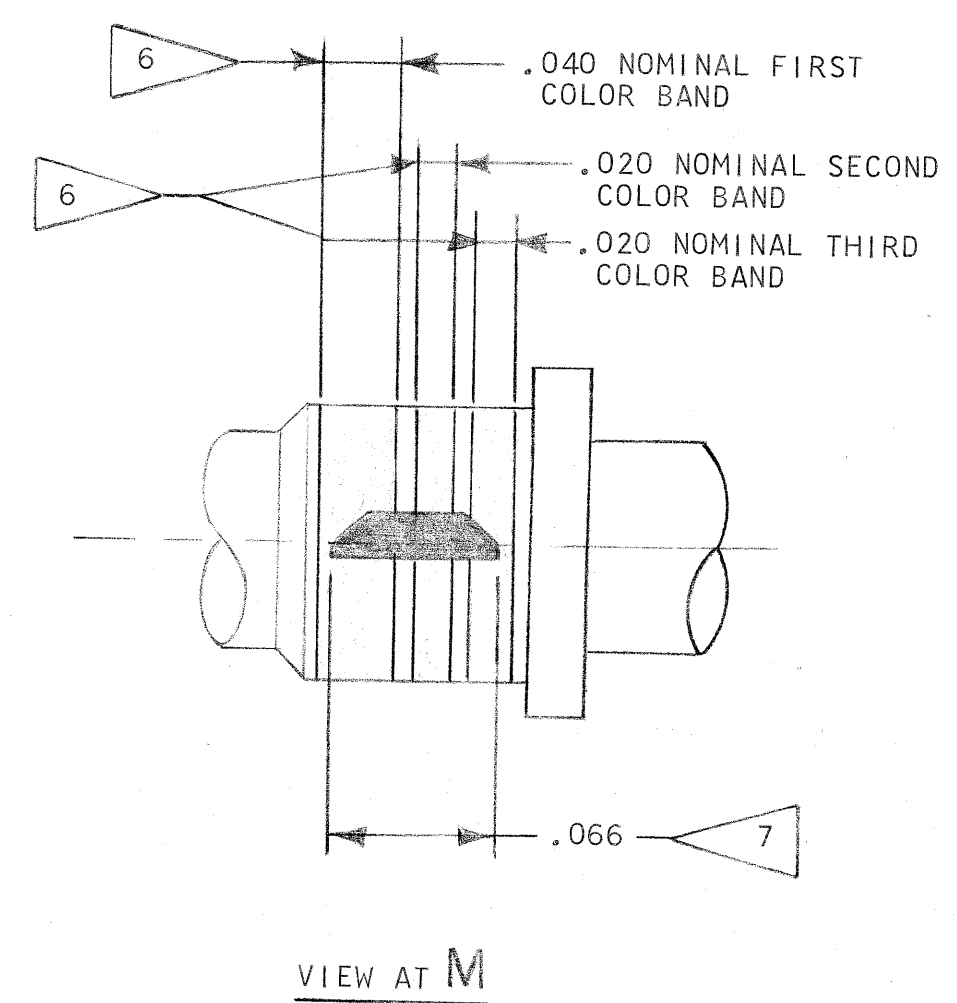


TABLE II

ASSEMBLY NUMBER	INSTALLATION INSTRUCTIONS PART NUMBER
21-33122-541	21-1561-37
-542	-38
-543	-39
-544	-40
-545	-41
-546	-42
-547	-43
-548	-44
-561	-45
-562	-46
-563	-47
-564	-48
21-33122-441	-49
-442	-50
-443	-51
-444	-52
-445	-53
-446	-54
-447	-55
-448	-56
-461	-57
-462	-58
-463	-59
-464	-60
21-33122-F41	-61
-F42	-62
-F43	-63
-F44	-64
-F45	-65
-F46	-66
-F47	-67
-F48	-68
-F61	-69
-F62	-70
-F63	-71
-F64	-72
21-33122-565	-112
-465	-113
-F65	-114
-549	N/A
-449	N/A
-F49	N/A
-550	21-1561-124
-450	-125
-F50	-126
-551	-127
-451	-128
-F51	-129
-552	-130
-452	-131
-F52	-132

TABLE II, CONTINUED

ASSEMBLY NUMBER	INSTALLATION INSTRUCTIONS PART NUMBER
21-33122-557	21-1561-157
-457	-158
-F57	-159

D

D

C

C

B

B

A

A

- BASIC IDENTIFICATION NUMBER (BIN) CODE IN ACCORDANCE WITH MIL-C-39029.
- INK STAMP TRADEMARK 9-6700, TYPE IV, PER 9-7530 OR 9-3856-5 IN APPROXIMATE POSITION SHOWN, DIRECTION OPTIONAL AND TRADEMARK MAY BE SOLID AS SHOWN. COLOR YELLOW, SIZE 12 ASSEMBLIES. COLOR BLUE, SIZE 16 ASSEMBLIES. WHERE COLOR BANDING IS REQUIRED PER NOTE 6, TRADEMARK IS TO BE STAMPED AFTER COLOR BANDING WITH ANY CONTRASTING COLOR.
- ONLY ASSEMBLY NUMBERS LISTED IN TABLE I ARE TO BE COLOR BANDED ON PIN CONTACT. PERMANENTLY MARK IDENTIFICATION BANDS ON PIN CONTACT IN ACCORDANCE WITH VIEW AT M AND TABLE I PER 9-7530 OR 9-3856-5. THE FIRST COLOR BAND SHALL BE APPROXIMATELY TWICE THE WIDTH OF THE SECOND AND THIRD COLOR BANDS. BANDS OF CONTRASTING COLOR NEED NOT BE SEPARATED. BANDS OF THE SAME COLOR MUST BE SEPARATED BY .010 MINIMUM.
- CONTACT WILL ACCOMMODATE OTHER EQUIVALENT COAXIAL CABLES.
- COMPLETE INSTALLATION INSTRUCTIONS (ITEM 6) PACKED WITH EACH ASSEMBLY, SEE TABLE II. PACKAGE PER PRODUCTION PROCESS SHEET.
- FOR SIZE 16 CONTACT INDICATED DIMENSION TO BE FROM REAR OF SHOULDER TO THE POINT AT WHICH A .0150 ± .0002 DIA SQUARE ENDED PIN ENGAGES THE SOCKET CONTACT SPRING.  
FOR SIZE 12 CONTACT INDICATED DIMENSION TO BE FROM REAR OF SHOULDER TO THE POINT AT WHICH A .0200 ± .0002 DIA SQUARE ENDED PIN ENGAGES THE SOCKET CONTACT SPRING.
- FIRST CHARACTER OF SUFFIX SAME AS ASSEMBLY PER NOTE 1.
- ADD FIRST CHARACTER TO SUFFIX FOR FINISH:

SUFFIX FIRST CHARACTER	FINISH	TEST SPEC.
4	.00010 MIN GOLD (KNOOP HARDNESS 130-200) OVER COPPER	
5	.00005 MIN GOLD (KNOOP HARDNESS 130-200) OVER NICKEL	9-5272-23
F	.00005 MIN GOLD (KNOOP HARDNESS 130-200) OVER COPPER	

- FOR 21-33122-( )51 THIS DIMENSION IS .415 MAXIMUM.
- PROCESS SPEC: TEST 9-5272-23 SEE NOTE 1. SPECIAL CONTROLS 9-6000-4 SEE NOTE 11. PROCESS SHEET CONTROL 9-4796. 9-6700, 9-7530, 9-3856-5.
- SPECIFICATION 9-6000-4 APPLIES TO PART NUMBERS LISTED IN TABLE I ONLY.
- EXCEPT FINISH ON FERRULE PART NUMBER 21-33905-562 IS: .00010 MIN GOLD (KNOOP HARDNESS 90 MAX) OVER COPPER.
- THE FOLLOWING ASSEMBLY NUMBERS ARE QUALIFIED TO MIL-C-39029:
 

BENDIX ECD ASSEMBLY NUMBER	MIL-C-39029 PART NUMBER
21-33122-541	M39029/28-409
21-33122-546	M39029/28-211
21-33122-563	M39029/76-424
21-33122-564	M39029/76-425

NOTES:

10

SIZE	CODE IDENT NO.	
C	77820	21-33122
SCALE	WT	REF
		SHEET 2

REV SYM D E F G H J K L M N

TAB.

4

3

2

1

ASSEMBLY NUMBER	COAXIAL CONTACT SIZE	TYPE	USE WITH COAXIAL CABLE NUMBER 5	SOCKET CONTACT	FERRULE	PIN CONTACT	FRONT INSULATOR	REAR INSULATOR	REAR INSULATOR CONFIG.	A DIA ±.0010	B	C DIA ±.001	D DIA MIN	E DIA MAX	F DIA MIN	G ±.0005	K DIA MIN	L DIA MIN	P MAX
21-33122-( )41	12	I	RG-180B/U, RG-195A/U MICRODOT 293-3922 RAYCHEM 9528A1318 RAYCHEM 9527D1514-2L	21-367-( )41	21-33903-( )41	21-372-( )42	21-1378-42 (1 REQ'D)	21-1381-43	I	.0235	.190 +.008 -.003	.094	.108	.126	.144	.0200	.023	—	—
-( )42	12	I	MICRODOT 250-4070	-( )43	-( )41	-( )42	21-1378-42 (1 REQ'D)	-44	I	.0365			.108	.126	.144		.036	—	—
-( )43	12	II	RAYCHEM 5022E5111 & 48-502	-( )43	-( )42	21-369-( )43	—	-42	I	.0365			.090	.109	.127		.036	—	—
-( )44	12	II	RAYCHEM 9530A5314	-( )41	-( )42	-( )43	—	21-33181-41	I	.0235			.090	.109	.127		.023	—	—
-( )45	12	I	RAYCHEM 7624D1311 9527A1318	-( )42	-( )43	21-372-( )41	21-1378-41 (1 REQ'D)	21-1381-45	I	.0280			.117	.135	.155		.028	—	—
-( )46	12	II	RG-187A/U, RG-179B/U RG-174A/U, RG-188A/U RG-316/U, RG-161/U HAVEG 8100207 TIMES(HS-179)AA3248 TELEDYNE 11299 THERMAX 75-738-BCCWXE TENSOLITE 30888/L707YX-1	-( )41	-( )42	21-369-( )43	—	-51	II	.0235	.193 +.013 -.003		.090	.109	.127		.023	.067	.329
-( )47	12	II	GORE GWN 1159A RD316 DOUBLE SHIELD	-( )41	-( )44	21-369-( )43	—	-51	II	.0235	.193 +.013 -.003		.090	.109	.144		.023	.067	.329
-( )48	12	I	MIL-C-915/42A ISSOMU-20 -16 -40 -70	-( )43	-( )43	21-372-( )42	21-1378-42 (1 REQ'D)	-44	I	.0365	.190 +.008 -.003		.108	.126	.156		.036	—	—
-( )49			NOT AVAILABLE																
-( )50	12	I	GORE CXN1362	21-367-( )43	21-33903-( )44	21-372-( )43	21-1378-43 (1 REQ'D)	21-33181-53	II	.0365	.195 +.013 -.003	.094	.100	.118	.138	.0200	.033	.076	.310
-( )51	12	I	SPECIAL APPLICATION ONLY TROMPETER ELECTRONICS TRIAx TRC-75-1 SPECIAL TERMINATION AS A COAX	21-367-( )41	21-33905-( )45	21-372-( )42	21-1378-42 (1 REQ'D)	21-1381-43	I	.0235	.190 +.008 -.003	.094	.108	.126	.145	.0200	.023	—	—
-( )52	12	II	DOD SM-A-975015 OR ITT SURPRENANT 8946 DS CABLE JACKET .155 DIA MAX	21-367-( )41	21-33903-( )45	21-369-( )43	—	21-33181-41	I	.0235		.094	.090	.109	.156	.0200	.023	—	—
-( )57	12	I	MICRO-DOT 295-3992	21-367-541	21-33903-544	21-372-543	21-1378-43	21-33181-53	II	.0235	.195 +.013 -.003	.094	.1000	.118	.138	.0200	.033	.076	.315



SEE SHEET 2

NOTES:

SIZE	CODE IDENT NO.	21-33122	
C	77820		
SCALE	W	REF	SHEET 3

REV SYM D E F G H J K L M N

TAB.

4

3

2

1

ASSEMBLY NUMBER	COAXIAL CONTACT SIZE	TYPE	USE WITH COAXIAL CABLE NUMBER	SOCKET CONTACT	FERRULE	PIN CONTACT	FRONT INSULATOR	REAR INSULATOR	REAR INSULATOR CONFIG.	A DIA ±.0010	B ±.0010	C DIA ±.0010	D DIA MIN	E DIA MAX	F DIA MIN	G ±.0005	K DIA MIN	L DIA MIN	P MAX
21-33122-( )61	16	II	REVERE-WH95623 (RED SHIELDED) HAVEG 61-02051	21-367-( )61	21-33905-( )62	21-369-( )61	—	21-1381-65	I	.0365	.161 +.008 -.003	.0625	.0670	.085	.105	.0150	.036	—	—
-( )62	16	II	HAVEG 30-00761 HAVEG 30-02024 HAVEG 30-02033 TENSOLITE 24713/A955KK1 TENSOLITE 26723/A955KK1	-( )62	21-33903-( )61	-( )62	—	-62	II	.0280	.162 +.011 -.003		.0575	.076	.094		.028	.044	.234
-( )63	16	I	RG-174A/U, RG-188A/U RG-316/U, RG-161/U RG-187A/U, RG-179B/U HAVEG 8100207 TIMES(HS-179)AA 3248 TELEDYNE 11299 THERMAX 75-738-BCCWXE TENSOLITE 30888/L707YX-1	-( )63	21-33905-( )62	21-372-( )62	21-1377-62 (1 REQ'D)	-64	I	.0220	.161 +.008 -.003		.0670	.085	.105		.021	—	—
-( )64	16	II	RG-178B/U, RG-196A/U	-( )63	21-33903-( )61	21-369-( )62	—	-61	II	.0220	.162 +.011 -.003		.0575	.076	.094		.017	.036	.234
-( )65	16	II	TIMES RD 178 DOUBLE BRAID	-( )63	21-33905-( )62	-( )62	—	-61	II	.022	.162 +.011 -.003		.0575	.076	.105		.017	.036	.234

D

D

C

C

B

B

A

A

SEE SHEET 2

NOTES:

SIZE	CODE IDENT NO.	21-33122	
C	77820		
SCALE	WT	REF	SHEET 4

REV SYM	D	E	F	G	H	J	K	L	M	N
---------	---	---	---	---	---	---	---	---	---	---

TAB.

21-33122

