

4

3

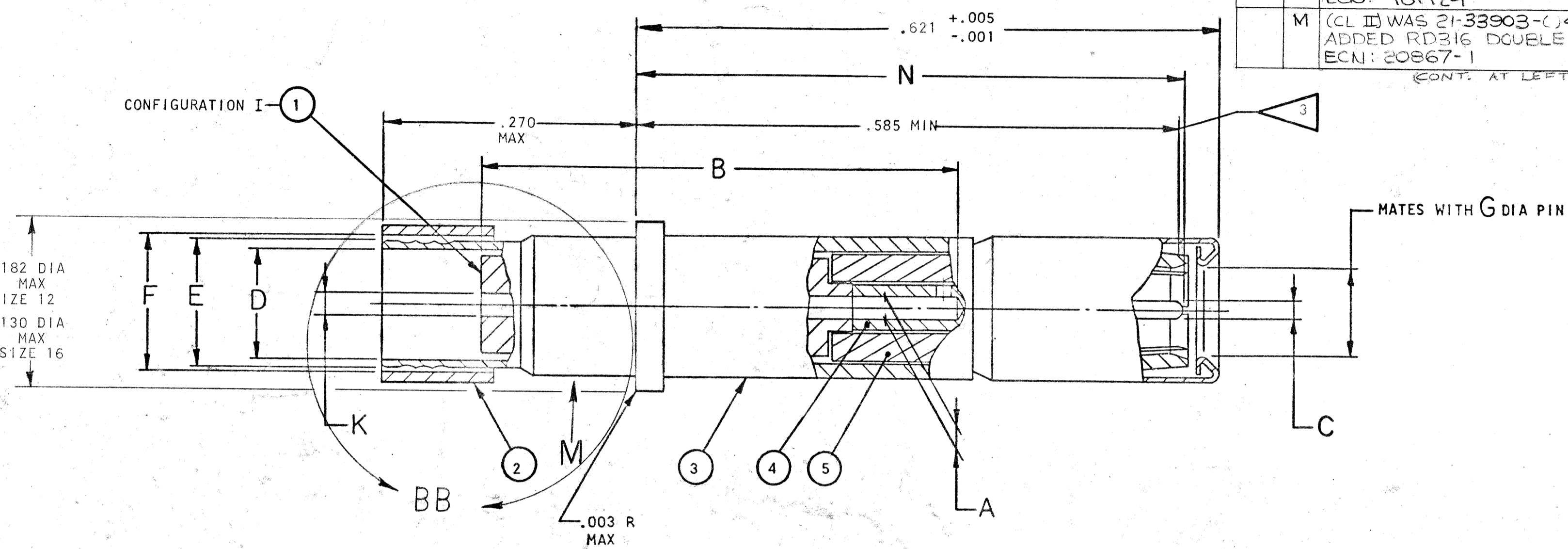
2

1

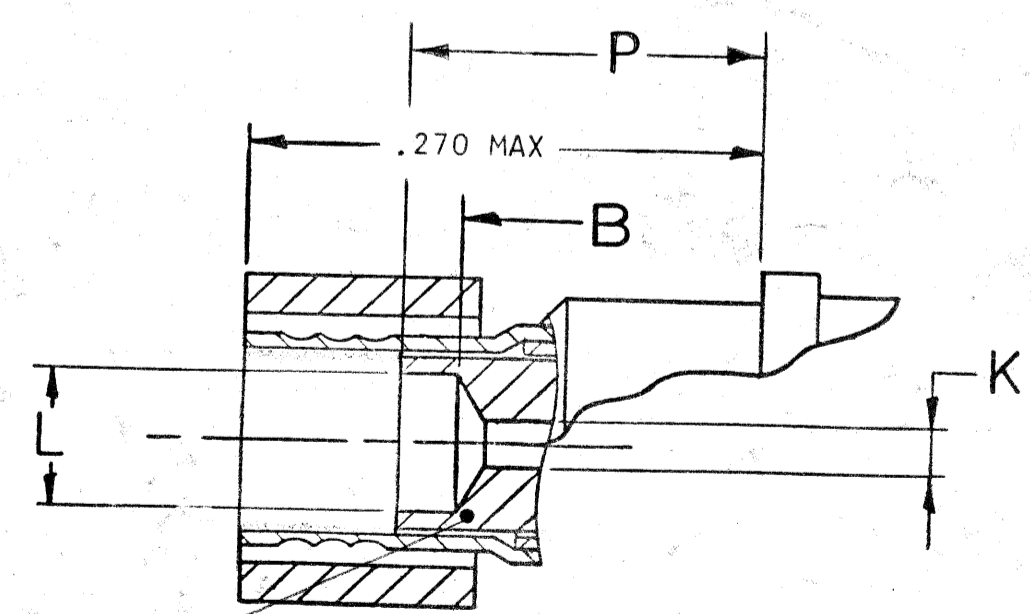
ZONE	LTR	DESCRIPTION	DATE	APPROVED	57500-178	REVISIONS				
N	(CL II)	SEE REY NOTICE ECN: 21438-1	12-21-88	Nesbit SHEIRER		ZONE	LTR	DESCRIPTION	DATE	APPROVED
P	(CL II)	SHIT 3-COLUMN "REAR INSULATOR" CHGD 21-33121-50 TO 21-1321-50 ON - (1)45 ECN: 25127	11-99	USON				FOR CHGS D THRU G SEE RECORD	D	DWG
	H	(CL II) REV MIL P/N (NOTE 8 & COL)	7-24-80					ECN: 71193-35	LONGWELL	C Bowker
	J	(CL II) ADD -(1)49, -(1)50, -(1)51 -(1)52 & DATA; RELOC P DIM	8-21-81					ECN: 73085-3	Biviano	S Evans
	K	(CL II) ADD & RLSE -(1)55 & DATA	3-8-85					RLSE: 76500-182	Prescott	W Davis
	L	(CL II) ADD 9-3856-3 INK STAMP SPEC	3-27-81					ECN: 78172-1	Baker	RB
	M	(CL II) WAS 21-33903-(1)41 (1)47, FERRULE, ADDED RD316 DOUBLE SHIELD (1)47	9-2-88					ECN: 20867-1	Melligott	Nesbit

D

D



TYPE I
NON-CAPTIVATED FRONT
INSULATOR



TYPE II
CAPTIVATED
FRONT INSULATOR

FIND NO.	QTY REQD	CODE IDENT	PART NUMBER	DESCRIPTION	NOTE REF
6	1		SEE TABLE II	INSTALLATION INSTRUCTIONS SHEET	4
5	SEE COL		SEE COLUMN	FRONT INSULATOR	
4	1		SEE COLUMN	PIN CONTACT	
3	1		SEE COLUMN	SOCKET CONTACT	
2	1		SEE COLUMN	FERRULE	
1	1		SEE COLUMN	REAR INSULATOR	

PARTS LIST

UNLESS OTHERWISE SPECIFIED LINEAR DIMENSIONS ARE IN INCHES. TOLERANCES: .XXX ± .010, .XX ± .03, .X ± .1, ANGLES ± 2°. OTHER STANDARDS PER 9-3800 AND MIL-D-1000. NOTE REF		SIGNATURES PREPARED BURT FINCH CHECKED <i>[Signature]</i> MATERIAL D. FRITZ APPROVED <i>[Signature]</i> APPROVED <i>[Signature]</i>	DATES 4-1-74 11-4-77 5-11-77 12-7-76 11-7-77	The Bendix Corporation Electrical Components Division Sidney, New York
MATERIAL SPEC	PROCESS SPEC SEE NOTE 12	TITLE: CONTACT, SOCKET, COAXIAL, ELECTRICAL CONNECTOR, TYPE LJT-R, MS		
		SIZE C	CODE IDENT NO. 77820	21-33123
SCALE NONE		WT SEE PARTS LIST	REF 21-33053	SHEET 1 OF 4

SEE SHEET 2

NOTES:

USE OF THIS DOCUMENT IS UNLIMITED. DOCUMENTS REFERENCED HEREON CONTAIN LIMITED RIGHTS DATA.

NEXT ASSEMBLY

105059511

TAB.

21-33123

A

D

C

B

U

TABLE I

ASSEMBLY NUMBER	MILITARY PART NUMBER REFERENCE	COLOR BANDS			BIN CODE
		FIRST BAND	SECOND BAND	THIRD BAND	
21-33123-541	M39029/75-417	YELLOW	BROWN	VIOLET	417
-546	-416	YELLOW	BROWN	BLUE	416
-563	M39029/77-428	YELLOW	RED	GREY	428
-564	-429	YELLOW	RED	WHITE	429

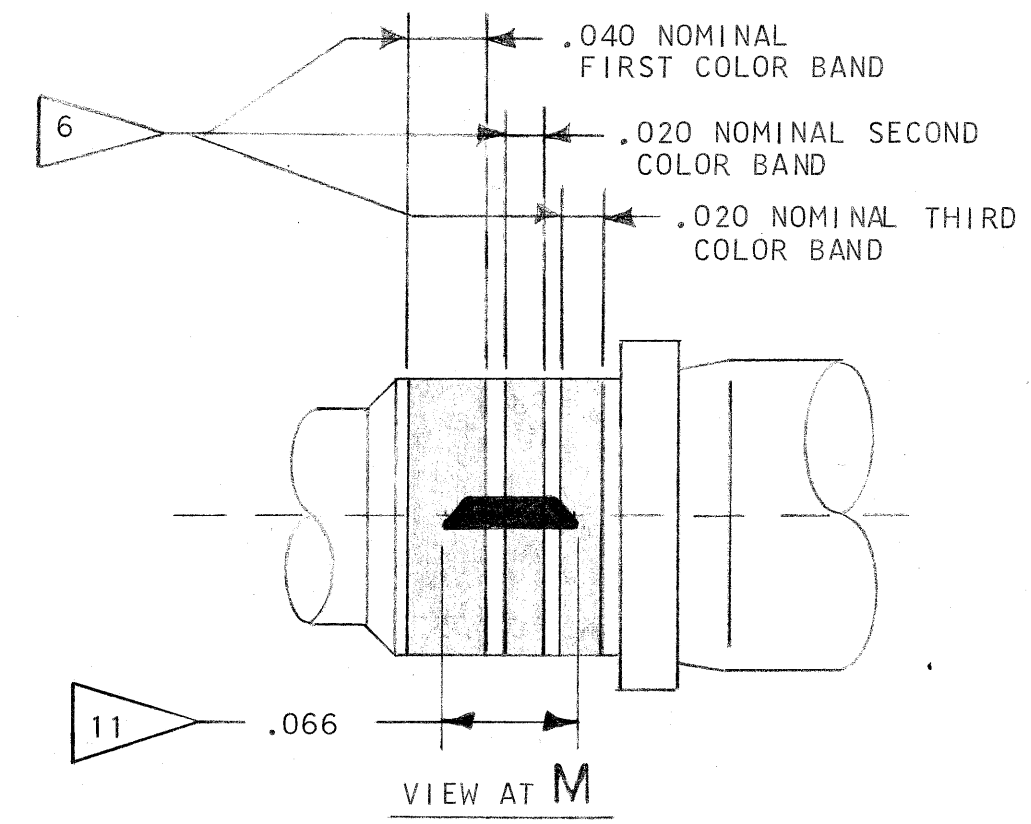


TABLE II

ASSEMBLY NUMBER	INSTALLATION INSTRUCTIONS PART NUMBER
21-33123- 541	21-1561-73
- 542	-74
- 543	-75
- 544	-76
- 545	-77
- 546	-78
- 547	-79
- 548	-80
- 561	-81
- 562	-82
- 563	-83
- 564	-84
21-33123- 441	-85
- 442	-86
- 443	-87
- 444	-88
- 445	-89
- 446	-90
- 447	-91
- 448	-92
- 461	-93
- 462	-94
- 463	-95
- 464	-96
21-33123- F41	-97
- F42	-98
- F43	-99
- F44	-100
- F45	-101
- F46	-102
- F47	-103
- F48	-104
- F61	-105
- F62	-106
- F63	-107
- F64	-108
21-33123- 565	-115
- 465	-116
- F65	-117
- 549	N/A
- 449	N/A
- F49	N/A
- 550	21-1561-133
- 450	-134
- F50	-135
- 551	N/A
- 451	N/A
- F51	N/A
- 552	21-1561-136
- 452	-137
- F52	-138
- 555	-166

- 7. BASIC IDENTIFICATION NUMBER (BIN) CODE IN ACCORDANCE WITH MIL-C-39029.
- 6. ONLY ASSEMBLY NUMBERS LISTED IN TABLE I ARE TO BE COLOR Banded ON SOCKET CONTACT. PERMANENTLY MARK IDENTIFICATION BANDS ON SOCKET CONTACT IN ACCORDANCE WITH VIEW AT M AND TABLE I PER 9-7530 OR 9-3856-5. THE FIRST COLOR BAND SHALL BE APPROXIMATELY TWICE THE WIDTH OF THE SECOND AND THIRD COLOR BANDS. BANDS OF CONTRASTING COLOR NEED NOT BE SEPARATED. BANDS OF THE SAME COLOR MUST BE SEPARATED BY .010 MIN.
- 5. CONTACT WILL ACCOMMODATE OTHER EQUIVALENT COAXIAL CABLES.
- 4. COMPLETE INSTALLATION INSTRUCTIONS (ITEM 6) PACKED WITH EACH ASSEMBLY, SEE TABLE II. PACKAGE PER PRODUCTION PROCESS SHEET.
- 3. FOR SIZE 16 CONTACT
INDICATED DIMENSION TO BE FROM REAR OF SHOULDER TO THE POINT AT WHICH A .0625 ±.0002 DIA SQUARE ENDED PIN ENGAGES THE SOCKET CONTACT SPRING.
FOR SIZE 12 CONTACT
INDICATED DIMENSION TO BE FROM REAR OF SHOULDER TO THE POINT AT WHICH A .0940 ±.0002 DIA SQUARE ENDED PIN ENGAGES THE SOCKET CONTACT SPRING.
- 2. FIRST CHARACTER OF SUFFIX SAME AS ASSEMBLY PER NOTE 1.
- 1. ADD FIRST CHARACTER TO SUFFIX FOR FINISH:

- 12. PROCESS SPEC:
TEST 9-5272-23, SEE NOTE 1
SPECIAL CONTROLS 9-6000-4, SEE NOTE 10
PROCESS SHEET CONTROL 9-4796
9-6700, 9-7530, 9-3856-5
- 11. INK STAMP TRADEMARK 9-6700, TYPE IV, PER 9-7530 OR 9-3856-5 IN APPROX POSITION SHOWN, DIRECTION OPTIONAL, AND TRADEMARK MAY BE SOLID AS SHOWN.
COLOR YELLOW, SIZE 12 ASSEMBLIES
COLOR BLUE, SIZE 16 ASSEMBLIES
WHERE COLOR BANDING IS REQUIRED PER NOTE 6, TRADEMARK IS TO BE STAMPED AFTER COLOR BANDING WITH ANY CONTRASTING COLOR.
- 10. SPECIFICATION 9-6000-4 APPLIES TO PART NUMBERS LISTED IN TABLE I ONLY.
- 9. EXCEPT FINISH ON FERRULE PART NUMBER 21-33905-562 IS: .00010 MIN GOLD (KNOOP HARDNESS 90 MAX) OVER COPPER.
- 8. THE FOLLOWING ASSEMBLY NUMBERS ARE QUALIFIED TO MIL-C-39029:

SUFFIX FIRST CHARACTER	FINISH	TEST SPEC.
4	.00010 MIN GOLD (KNOOP HARDNESS 130-200) OVER COPPER	---
5	.00005 MIN GOLD (KNOOP HARDNESS 130-200) OVER NICKEL	9-5272-23
F	.00005 MIN GOLD (KNOOP HARDNESS 130-200) OVER COPPER	---

BENDIX ECD ASSEMBLY NUMBER	MIL-C-39029 PART NUMBER
21-33123-541	M39029/75-417
21-33123-546	M39029/75-416
21-33123-563	M39029/77-428
21-33123-564	M39029/77-429

SIZE	CODE IDENT NO.	
C	77820	21-33123
SCALE	WT	REF
		SHEET 2

REV SYM H J K L M N

4

3

2

1

ASSEMBLY NUMBER	COAXIAL CONTACT SIZE	TYPE	USE WITH COAXIAL CABLE NUMBER 5	SOCKET CONTACT	FERRULE	PIN CONTACT	FRONT INSULATOR	REAR INSULATOR	REAR INSULATOR CONFIG.	A DIA ±.0010	B	C DIA ±.0005	D DIA MIN	E DIA MAX	F DIA MIN	G ±.001	K DIA MIN	L DIA MIN	N ±.005	P MAX
21-33123-()41	12	I	RG-180B/U, RG-195A/U MICRODOT 293-3922 RAYCHEM 9528A1318 RAYCHEM 9527D1514-2L	21-375-()42	21-33903-()41	21-368-()41	21-1379-42 1 REQ'D	21-1381-48	I	.0235	.526 +.008 -.003	.0200	.108	.126	.144	.094	.023	—	.608	—
-()42	12	I	MICRODOT 250-4070	21-375-()42	-()41	-()43	21-1379-42 1 REQ'D	-49	I	.0365	↓	↓	.108	.126	.144	↓	.036	—	↓	—
-()43	12	II	RAYCHEM 5022E5111& 48-502	21-371-()43	-()42	-()43	—	-47	I	↓	↓	↓	.090	.109	.127	↓	.036	—	↓	—
-()44	12	II	RAYCHEM 9530D5117 & 48-950	21-371-()43	-()42	-()41	—	-46	I	.0235	↓	↓	.090	.109	.127	↓	.023	—	↓	—
-()45	12	I	RAYCHEM 7624D1311 9527A1318	21-375-()41	-()43	-()42	21-1379-41 1 REQ'D	21-1381-50	I	.0280	↓	↓	.117	.135	.156	↓	.028	—	↓	—
-()46	12	II	RG-187A/U, RG-179B/U RG-174A/U, RG-188A/U RG-316/U, RG-161/U HAVEG 8100207 TIMES (HS-179) AA3248 TELEDYNE 11299 THERMAX 75-738-BCCWXE TENSOLITE 30888/L707YX-1	21-371-()43	-()42	-()41	—	21-1381-52	II	.0235	.529 +.013 -.003	↓	.090	.109	.127	↓	.023	.067	↓	.334
-()47	12	II	GORE GWN 1159A RD316 DOUBLE SHIELD	21-371-()43	-()44	-()41	—	-52	II	.0235	↓	↓	.090	.109	.144	↓	.023	.067	↓	.334
-()48	12	I	MIL-C-915/42A 1S50MU-20 -16 -40 -70	21-375-()42	-()43	-()43	21-1379-42 (1 REQ'D)	-49	I	.0365	.526 +.008 -.003	↓	.108	.126	.156	↓	.036	—	↓	—
-()49			NOT AVAILABLE																	
-()50	12	I	GORE CXN1362	21-375-()43	21-33903-()44	21-368-()43	21-1379-43 (1 REQ'D)	21-33181-54	II	.0365	.531 +.013 -.003	.0200	.100	.118	.138	.094	.033	.076	.608	.315
-()51			NOT AVAILABLE																	
-()52	12	II	DOD SM-A-975015 OR ITT SURPRENANT 8946 DS CABLE JACKET .155 DIA MAXIMUM	21-371-()43	21-33903-()45	21-368-()41	—	21-33181-46	I	.0235	.526 +.008 -.003	.0200	.090	.109	.156	.094	.023	—	.608	—
-()55	12	I	ITT SURPRENANT BA20049 RAYCHEM 5021K1011	21-375-()45	↓	↓	21-1379-44	-72	II	.0424	.536 +.016 -.003	.0200	.1205	.138	.161	.094	.040	.100	.608	.315

D

D

C

C

B

B

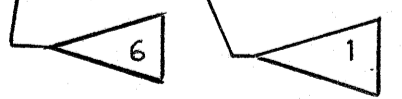
A

A

21-33123

SEE SHEET 2

NOTES:



SIZE	CODE IDENT NO.	
C	77820	21-33123
SCALE	WT	REF
REV SYM	H J K L M N	SHEET 3

TAB.

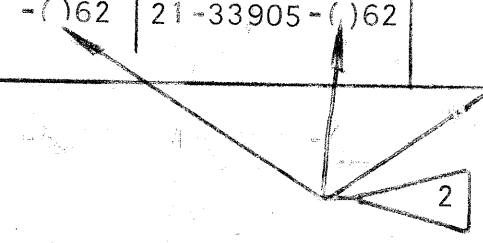
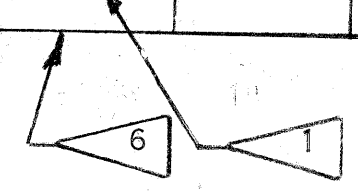
4

3

2

1

ASSEMBLY NUMBER	COAXIAL CONTACT SIZE	TYPE	USE WITH COAXIAL CABLE NUMBER	SOCKET CONTACT	FERRULE	PIN CONTACT	FRONT INSULATOR	REAR INSULATOR	REAR INSULATOR CONFIG.	A DIA ±.0010	B	C DIA ±.0005	D DIA MIN	E DIA MAX	F DIA MIN	G ±.0010	K DIA MIN	L DIA MIN	N ±.005	P MAX
21-33123-()61	16	II	WH 95623 REVERE- (RED SHIELDED) HAVEG 61-02051	21-371-()61	21-33905-()62	21-368-()61	—	21-1381-70	I	.0365	.497 +.008 -.003	.0150	.067	.085	.105	.0625	.036	—	.606	—
-()62	16	II	HAVEG 30-00761 HAVEG 30-02024 HAVEG 30-02033 TENSOLITE 24713/A955KK1 TENSOLITE 26723/A955KK1	-()62	21-33903-()61	-()62	—	-67	II	.0280	.498 +.011 -.003	—	.0575	.076	.094	—	.028	.044	—	.234
-()63	16	I	RG-174A/U, RG-188A/U RG-316/U, RG-161/U RG-187A/U, RG-179B/U HAVEG 8100207 TIMES(HS-179)AA3248 TELEDYNE 11299 THERMAX 75-738-BCCWXE TENSOLITE 30888/L707YX-1	21-376-()62	21-33905-()62	-()63	21-1380-62 1 REQ'D	-69	I	.0220	.497 +.008 -.003	—	.067	.085	.105	—	.021	—	—	—
-()64	16	II	RG-178B/U, RG-196A/U	21-371-()62	21-33903-()61	-()63	—	-66	II	—	.498 +.011 -.003	—	.0575	.076	.094	—	.017	.036	—	.234
-()65	16	II	TIMES RD 178 DOUBLE BRAID	-()62	21-33905-()62	-()63	—	-66	II	—	—	—	—	—	.105	—	—	—	—	—



SEE SHEET 2

NOTES:

SIZE	CODE IDENT. NO.	21-33123	
C	77820		
SCALE	WT	REF	SHEET 4

REV SYM	H	J	K	L	M	N						
---------	---	---	---	---	---	---	--	--	--	--	--	--

21-33123

TAB.