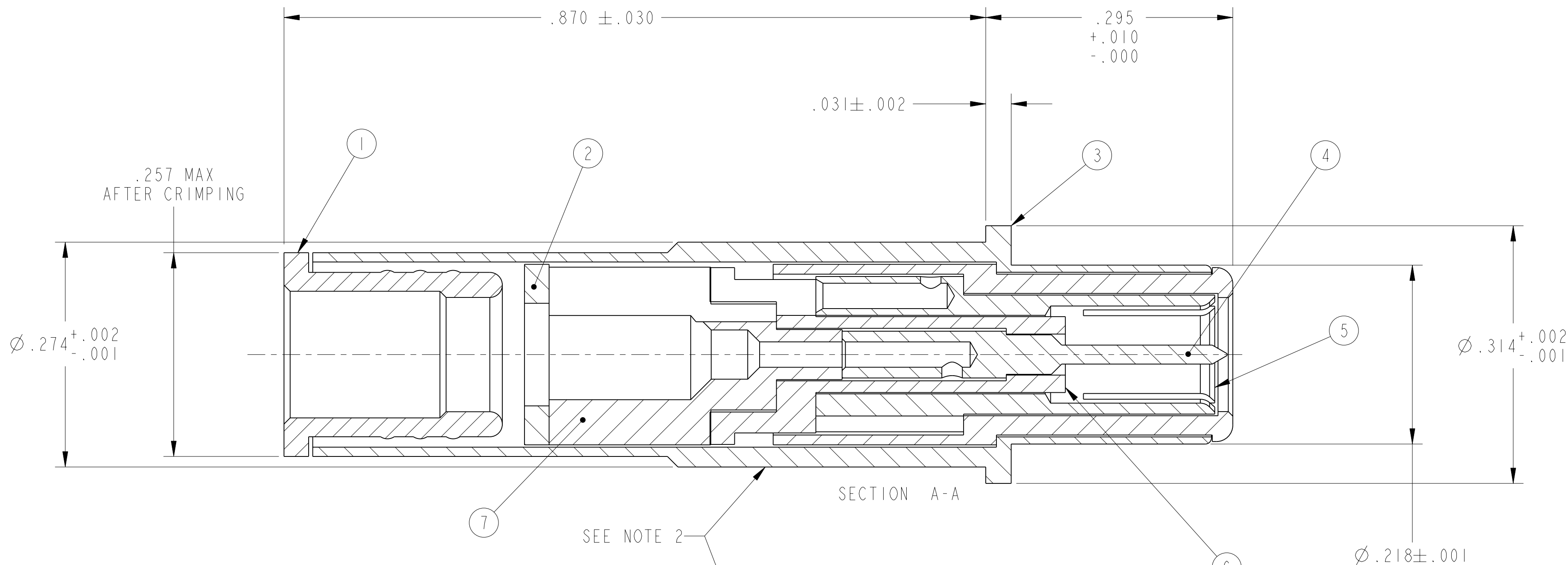
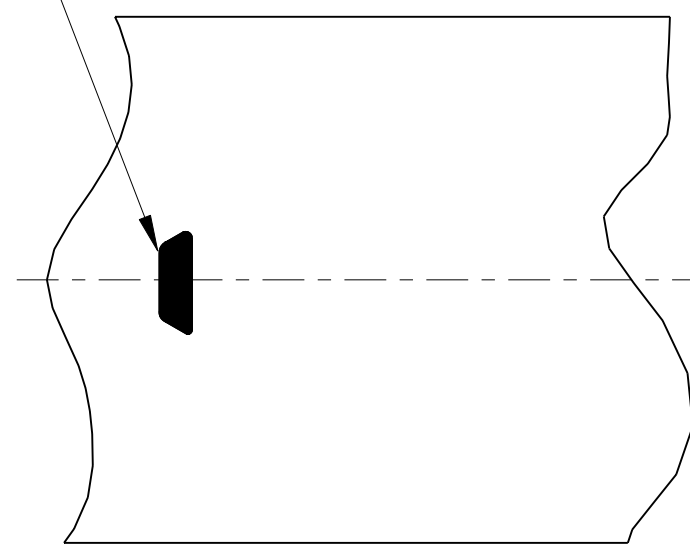


REV. A		SHEET 1 OF 1		DOCUMENT NO. 21-33190-26	
REVISIONS					
LTR	DESCRIPTION			DATE	
A	INITIAL RELEASE				



SEE NOTE 2



- 8. THIS CONTACT UTILIZES PIGGYBACK GROMMET SEAL 21-33321-5 SUPPLIED WITH THE ELECTRICAL CONNECTOR ASSEMBLY.
- 7. MATES WITH 21-33191-() TWINAX SOCKET CONTACT ASSEMBLIES.
- 6. MEETS THE APPLICABLE REQUIREMENTS OF M39029/90-529, EXCEPT FOR THE HEAT SHRINK BOOT REQUIREMENTS AND LESS COLOR BANDS.
- 5. INDICATED ITEM NOT ILLUSTRATED.
- 4. CONTACT WILL ACCOMODATE RAYCHEM 10612 TWINAX CABLE.
- 3. DRAWING ILLUSTRATES FINAL ASSEMBLY. COMPLETE INSTALLATION INSTRUCTIONS F/N 8, PACKED WITH EACH ASSEMBLY. PACKAGE PER PRODUCTION PROCESS SHEET.
- 2. IF NOT PREVIOUSLY STAMPED, BLACK INK STAMP TRADEMARK 9-6700 TYPE IV, PER 9-7530 OR 9-3856-5. IN APPROXIMATE POSITION SHOWN. DIRECTION OPTIONAL. TRADEMARK MAY BE SOLID AS SHOWN.

1. PROCESS SPEC:
 TEST 9-5272-30
 9-6700, 9-7530, 9-3856-5

THE USE OF THIS DOCUMENT IS UNLIMITED. HOWEVER, DOCUMENTS REFERENCED HEREON MAY CONTAIN LIMITED RIGHTS DATA.

RELEASED / Sep. 02 2004, 10:40 AM

N/A	PRO/ENGINEER INFORMATION
N/A	Pro/e Model Used:
	8P.ASSEMBLY.T1.ASSEM
	Drawing Name:
	21-33190-26.8P.ASSM

UNLESS OTHERWISE SPECIFIED

LINEAR DIMENSIONS ARE IN INCHES
 TOLERANCES:
 .XXXX = $\pm .0005$ ANGLES = $\pm 2^\circ$
 .XXX = $\pm .010$
 .XX = $\pm .03$
 .X = $\pm .1$

DIM. & TOL. PER ASME Y14.5M;
 DRM PER MIL-DTL-31000;
 OTHER Amphenol Sds. PER 9-3800

LEGENDS:
 = FLAG NOTE CALL OUT REFERENCE ONLY

SPECIFICATIONS

MATERIAL SPEC.
N/A

PROCESS SPEC.
SEE NOTE 1

POS	QTY	PART NUMBER	DESCRIPTION	NOTE
8	1	L-1253-AA	INSTALLATION INSTRUCTIONS	5
7	1	21-33305-1	INSULATOR	
6	1	21-33309-1	INSULATOR	
5	1	21-33313-15	CONTACT	
4	1	21-33316-15	CONTACT	
3	1	21-33312-25	CONTACT	
2	1	21-33304-1	SPACER	
1	1	21-33303-825	BUSHING	

APPROVALS		DATE
PREPARED BY	JHEATH	23-Aug-04
ENGINEER IN CHARGE	RATCHFORD	
DESIGN MANAGER	A. DAVIS	
DESIGN ACTIVITY GROUP	MIL-AERO	
THIRD ANGLE PROJECTION		

PARTS LIST			
AMPHENOL CORPORATION 40-60 DELAWARE AVENUE SIDNEY, N.Y. 13838			
CONTACT, PIN, SIZE 8, CONCENTRIC TWINAX, TYPE M38999			
SIZE C	CAGE CODE 77820	DOCUMENT NO. 21-33190-26	REV. A
SCALE: 10.0 REF: 21-33190-529			SHEET 1 OF 1

DOCUMENT NO. 21-33190-26 SHEET 1 OF 1 REV. A

DOCUMENT NO. 21-33190-26 SHEET 1 OF 1 REV. A