

REV. A		SHEET 1 OF 1		DOCUMENT NO. 21-033190-029	
REVISIONS					
LTR	DESCRIPTION			DATE	
A	INITIAL RELEASE			-	

21-033190-029

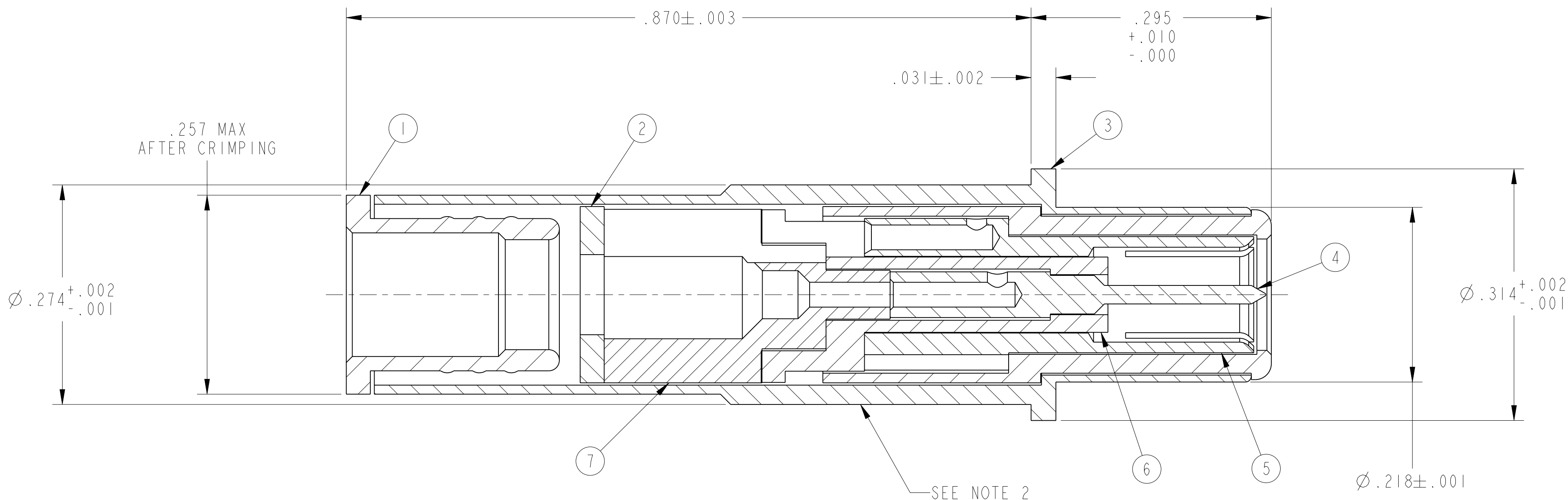
SHEET 1 OF 1

REV. A

C

B

A



7. MATES WITH 21-33191-() TWINAX SOCKET CONTACT ASSEMBLIES.
6. MEETS THE APPLICABLE REQUIREMENTS OF M39029/90-529, EXCEPT FOR THE HEAT SHRINK BOOT REQUIREMENTS AND LESS COLOR BANDS.
5. INDICATED ITEM NOT ILLUSTRATED.
4. CONTACT WILL ACCOMODATE RAYCHEM 10613 TWINAX CABLE OR EQUIVALENT.
3. DRAWING ILLUSTRATES FINAL ASSEMBLY. COMPLETE INSTALLATION INSTRUCTIONS F/N 9, PACKED WITH EACH ASSEMBLY. PACKAGE PER PRODUCTION PROCESS SHEET.
2. IF NOT PREVIOUSLY STAMPED, BLACK INK STAMP TRADEMARK 9-6700 TYPE IV, PER 9-7530 OR 9-3856-5. IN APPROXIMATE POSITION SHOWN. DIRECTION OPTIONAL. TRADEMARK MAY BE SOLID OR FRAME.

1. PROCESS SPEC:
 TEST 9-5272-30
 9-6700, 9-7530, 9-3856-5

NOTES:

THE USE OF THIS DOCUMENT IS UNLIMITED. HOWEVER, DOCUMENTS REFERENCED HEREON MAY CONTAIN LIMITED RIGHTS DATA.

RELEASED / Mar . 06 2014, 1:39:25 PM

21-033190-029

SHEET 1 OF 1

REV. A

N/A

NEXT ASSEMBLY

PRO/ENGINEER INFORMATION
 Pro/e Model Used:
 21-033190-029.ASSEM
 Drawing Name:
 21-033190-029

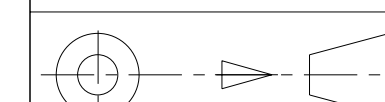
UNLESS OTHERWISE SPECIFIED
 LINEAR DIMENSIONS ARE IN INCHES
 TOLERANCES:
 .XXXX = ±.0005 ANGLES= ±2°
 .XXX = ±.010
 .XX = ±.03
 .X = ±.1
 DIM. & TOL. PER ASME Y14.5M;
 DRM PER MIL-DTL-31000;
 OTHER Amphenol Stds. PER 9-3800
 LEGENDS:
 =FLAG NOTE CALL OUT REFERENCE ONLY

SPECIFICATIONS
 MATERIAL SPEC.
 N/A
 PROCESS SPEC.
 SEE NOTE 1

POS	QTY	PART NUMBER	DESCRIPTION	NOTE
9	1	L-1253-K	INSTALLATION INSTRUCTIONS	5
8	1	21-033321-005	PIGGY BACK SEAL	5
7	1	21-033305-001	INSULATOR	
6	1	21-033309-001	INSULATOR	
5	1	21-033313-015	CONTACT	
4	1	21-033316-015	CONTACT	
3	1	21-033312-025	CONTACT	
2	1	21-033304-001	SPACER	
1	1	21-033303-035	BUSHING	

APPROVALS	DATE
PREPARED BY RATCHFORD	
ENGINEER IN CHARGE RATCHFORD	
DESIGN MANAGER SHEPLER	04-Mar-14
DESIGN ACTIVITY GROUP MIL-AERO DEVELOP	

THIRD ANGLE PROJECTION



PARTS LIST

AMPHENOL CORPORATION
 40-60 DELAWARE AVENUE
 SIDNEY, N.Y. 13858

**CONTACT, PIN,
 ELECTRICAL CONNECTOR,
 SIZE 8, CONCENTRIC TWINAX, TV-R**

SIZE C	CAGE CODE 77820	DOCUMENT NO. 21-033190-029	REV. A
SCALE: 3.0		REF. 21-33190-27	SHEET 1 OF 1

Eng PDM Information For Reference Only

SHEET 1 OF 1

21-033190-029