

REV. A	SHEET 1 OF 1	DOCUMENT NO. 21-033190-070
REVISIONS		
LTR	DESCRIPTION	DATE
A	INITIAL RELEASE	-

21-033190-070

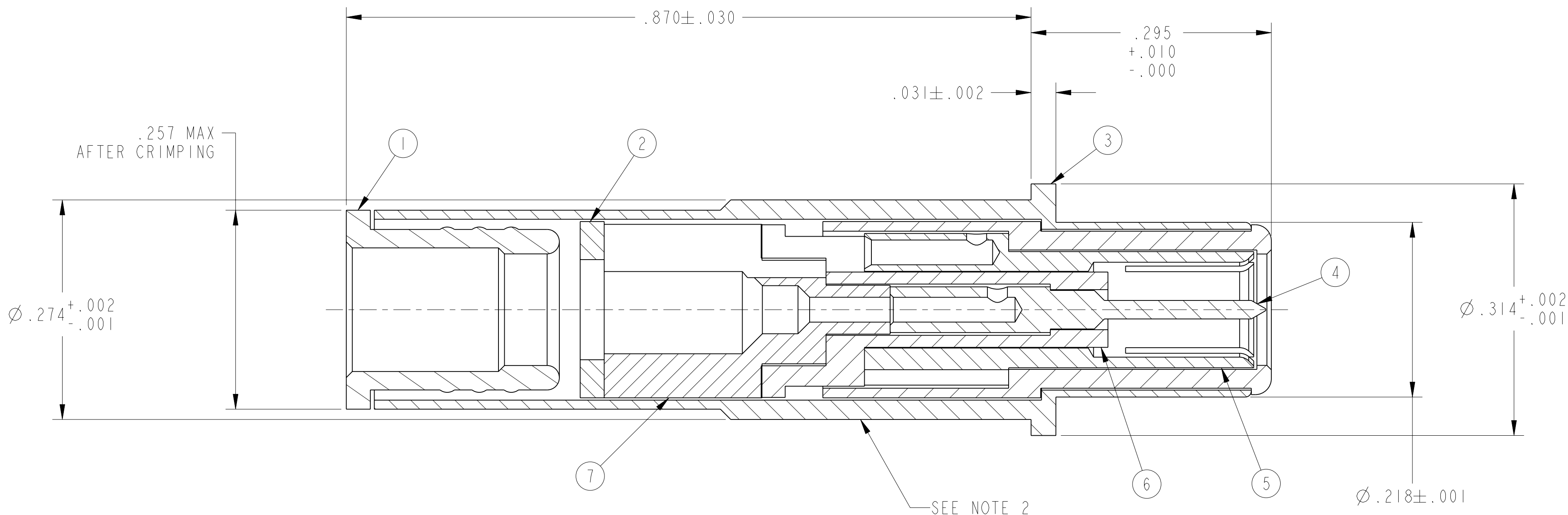
SHEET 1 OF 1

REV. A

C

B

A



- 8. THIS CONTACT UTILIZES PIGGYBACK GROMMET SEAL 21-33321-5 SUPPLIED WITH THE ELECTRICAL CONNECTOR ASSEMBLY.
- 7. MATES WITH 21-33191-() TWINAX SOCKET CONTACT ASSEMBLIES.
- 6. MEETS THE APPLICABLE REQUIREMENTS OF M39029/90-529, EXCEPT FOR THE HEAT SHRINK BOOT REQUIREMENTS AND LESS COLOR BANDS.
- 5. INDICATED ITEM NOT ILLUSTRATED.
- 4. CONTACT WILL ACCOMODATE S280W502-1 CABLE OR EQUIVALENT.
- 3. DRAWING ILLUSTRATES FINAL ASSEMBLY. COMPLETE INSTALLATION INSTRUCTIONS F/N 8, PACKED WITH EACH ASSEMBLY. PACKAGE PER PRODUCTION PROCESS SHEET.
- 2. IF NOT PREVIOUSLY STAMPED, BLACK INK STAMP TRADEMARK 9-6700 TYPE IV, PER 9-7530 OR 9-3856-5. IN APPROXIMATE POSITION SHOWN. DIRECTION OPTIONAL. TRADEMARK MAY BE SOLID OR FRAME.

1. PROCESS SPEC:
TEST 9-5272-30
NOTES: 9-6700, 9-7530, 9-3856-5

THE USE OF THIS DOCUMENT IS UNLIMITED. HOWEVER, DOCUMENTS REFERENCED HEREON MAY CONTAIN LIMITED RIGHTS DATA.

RELEASED / Jul . 11 2014, 3:00:51 PM

21-033190-070

SHEET 1 OF 1

REV. A

N/A

NEXT ASSEMBLY

PRO/ENGINEER INFORMATION

Pro/e Model Used:
21-033190-070.ASSEM
Drawing Name:
21-033190-070

UNLESS OTHERWISE SPECIFIED

LINEAR DIMENSIONS ARE IN INCHES
TOLERANCES:
.XXXX = ±.0005 ANGLES= ±2°
.XXX = ±.010
.XX = ±.03
.X = ±.1

DIM. & TOL. PER ASME Y14.5M;
DRM PER MIL-DTL-31000;
OTHER Amphenol Stds. PER 9-3800

LEGENDS:
= FLAG NOTE CALL OUT REFERENCE ONLY

SPECIFICATIONS

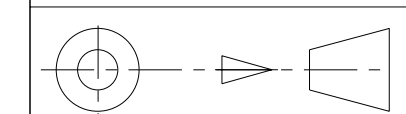
MATERIAL SPEC.
N/A

PROCESS SPEC.

SEE NOTE 1

POS	QTY	PART NUMBER	DESCRIPTION	NOTE
8	1	L-1253-U	INSTALLATION INSTRUCTIONS	5
7	1	21-033305-001	INSULATOR	
6	1	21-033309-001	INSULATOR	
5	1	21-033313-015	CONTACT	
4	1	21-033316-015	CONTACT	
3	1	21-033312-025	CONTACT	
2	1	21-033304-003	SPACER	
1	1	21-033303-795	BUSHING	

APPROVALS		DATE
PREPARED BY	J. CARNEVALE	25-Jun-14
ENGINEER IN CHARGE	D. PHILLIPS	
DESIGN MANAGER	E. HICKEY	
DESIGN ACTIVITY GROUP	C-1	
THIRD ANGLE PROJECTION		



AMPHENOL CORPORATION
40-60 DELAWARE AVENUE
SIDNEY, N.Y. 13858

CONTACT, PIN
SIZE 8, CONCENTRIC TWINAX,
TYPE M38999

SIZE C	CAGE CODE 77820	DOCUMENT NO. 21-033190-070	REV. A
SCALE: 3.0	REF. 21-33190-71	SHEET 1 OF 1	

Eng PDM Information For Reference Only

SHEET 1 OF 1

21-033190-070