

REV. A	SHEET 1 OF 1	DOCUMENT NO. 21-033190-072
REVISIONS M		
LTR	DESCRIPTION	DATE
A	INITIAL RELEASE	---

21-033190-072

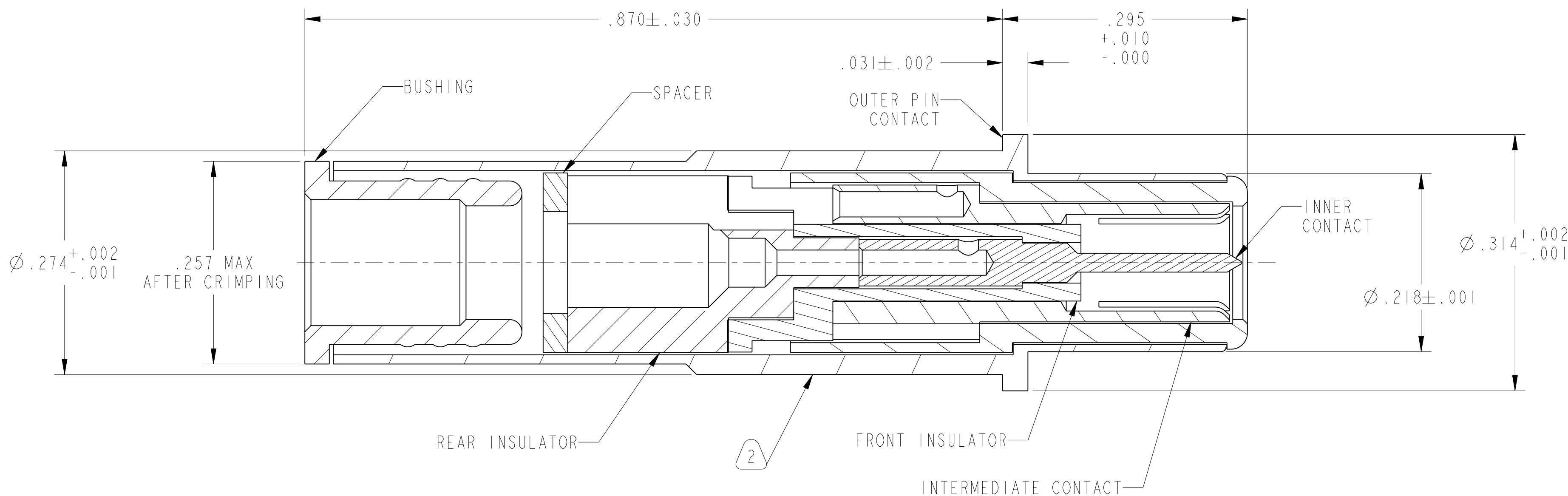
SHEET 1 OF 1

REV. A

C

B

A



- MEETS THE APPLICABLE REQUIREMENTS OF M39029/90-529 EXCEPT LESS COLOR BANDS.
- CONTACT ASSEMBLIES ARE SHIPPED WITH SEAL SLEEVE. SEAL SLEEVE NOT ILLUSTRATED.
- CONTACT WILL ACCOMMODATE S280W502-1 CABLE OR EQUIVALENT.
- DRAWING ILLUSTRATES FINAL ASSEMBLY. COMPLETE INSTALLATION INSTRUCTIONS SHALL BE, PACKED WITH EACH ASSEMBLY. PACKAGE PER PRODUCTION PROCESS SHEET.
- TRADEMARK STAMPED IN APPROXIMATE POSITION SHOWN. DIRECTION OPTIONAL.

1. MATES WITH 21-033191-() TWINAX SOCKET CONTACT ASSEMBLIES.

NOTES:

THE USE OF THIS DOCUMENT IS UNLIMITED. HOWEVER, DOCUMENTS REFERENCED HEREON MAY CONTAIN LIMITED RIGHTS DATA.

RELEASED / Jun . 16 2017, 1:33:10 PM
 DOCUMENT NO. 21-033190-072 SHEET 1 OF 1 REV. A

N/A NEXT ASSEMBLY

PRO/ENGINEER INFORMATION
 Pro/e Model Used:
 21-033190-072.ASSEM
 Drawing Name:
 21-033190-072

UNLESS OTHERWISE SPECIFIED	SPECIFICATIONS	POS	QTY	PART NUMBER	DESCRIPTION	NOTE
LINEAR DIMENSIONS ARE IN INCHES TOLERANCES: .XXXX = ±.0005 ANGLES= ±2° .XXX = ±.010 .XX = ±.03 .X = ±.1 DIM. & TOL. PER ASME Y14.5M; DRM PER MIL-STD-31000; OTHER Amphenol Stds. PER 9-3800 LEGENDS: =FLAG NOTE CALL OUT REFERENCE ONLY	MATERIAL SPEC.	PARTS LIST				
	N/A	AMPHENOL CORPORATION 40-60 DELAWARE AVENUE SIDNEY, N.Y. 13858 CONTACT, PIN SIZE 8, CONCENTRIC TWINAX				
PROCESS SPEC.	N/A	APPROVALS PREPARED BY: A. TUFAIL ENGINEER IN CHARGE: D. WILDING DESIGN MANAGER: J. PAUL DESIGN ACTIVITY GROUP: CI DATE: 22-May-17 THIRD ANGLE PROJECTION				
		SIZE C		CAGE CODE 77820	DOCUMENT NO. 21-033190-072	REV. A
		SCALE: 3.0		REF. 21-033190-090	SHEET 1 OF 1	

DOCUMENT NO. 21-033190-072
 SHEET 1 OF 1
 REV. A
 Eng. PDM Information For Reference Only
 REVISION A
 VERSION 6