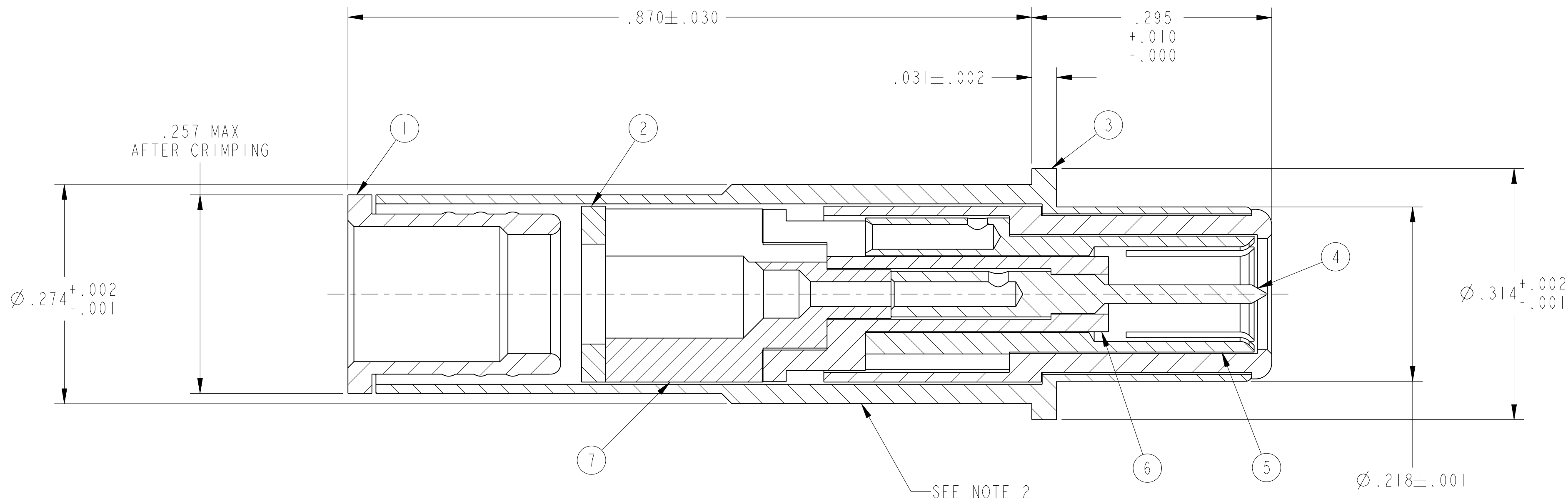


REV. A		SHEET 1 OF 1		DOCUMENT NO. 21-033190-091	
REVISIONS					
LTR	DESCRIPTION			DATE	
A	INITIAL RELEASE			-	



7. MATES WITH 21-33191-() TWINAX SOCKET CONTACT ASSEMBLIES.
6. MEETS THE APPLICABLE REQUIREMENTS OF M39029/90-529, EXCEPT FOR THE HEAT SHRINK BOOT REQUIREMENTS AND LESS COLOR BANDS.
5. INDICATED ITEM NOT ILLUSTRATED.
4. CONTACT WILL ACCOMODATE PIC E10224 CABLE OR EQUIVALENT.
3. DRAWING ILLUSTRATES FINAL ASSEMBLY. COMPLETE INSTALLATION INSTRUCTIONS F/N 8, PACKED WITH EACH ASSEMBLY. PACKAGE PER PRODUCTION PROCESS SHEET.
2. IF NOT PREVIOUSLY STAMPED, BLACK INK STAMP TRADEMARK 9-6700 TYPE IV, PER 9-7530 OR 9-3856-5. IN APPROXIMATE POSITION SHOWN. DIRECTION OPTIONAL. TRADEMARK MAY BE SOLID OR FRAME.
1. PROCESS SPEC:
TEST 9-5272-30
9-6700, 9-7530, 9-3856-5

NOTES:

THE USE OF THIS DOCUMENT IS UNLIMITED. HOWEVER, DOCUMENTS REFERENCED HEREON MAY CONTAIN LIMITED RIGHTS DATA.

N/A
NEXT ASSEMBLY

PRO/ENGINEER INFORMATION
 Pro/e Model Used:
 21-033191-090.ASSEM
 Drawing Name:
 21-033190-091

UNLESS OTHERWISE SPECIFIED
 LINEAR DIMENSIONS ARE IN INCHES
 TOLERANCES:
 .XXXX = ±.0005 ANGLES= ±2°
 .XXX = ±.010
 .XX = ±.03
 .X = ±.1
 DIM. & TOL. PER ASME Y14.5M;
 DRM PER MIL-DTL-31000;
 OTHER Amphenol Stds. PER 9-3800
 LEGENDS:
 =FLAG NOTE CALL OUT REFERENCE ONLY

SPECIFICATIONS
 MATERIAL SPEC. N/A
 PROCESS SPEC. SEE NOTE 1

POS	QTY	PART NUMBER	DESCRIPTION	NOTE
9	1	L-1253-AC	INSTALLATION INSTRUCTIONS	5
8	1	21-033321-005	PIGGYBACK SEAL	5
7	1	21-033305-001	INSULATOR	
6	1	21-033309-001	INSULATOR	
5	1	21-033313-015	CONTACT	
4	1	21-033316-015	CONTACT	
3	1	21-033312-025	CONTACT	
2	1	21-033304-003	SPACER	
1	1	21-033303-835	BUSHING	

APPROVALS		DATE
PREPARED BY	RATCHFORD	01-Apr-14
ENGINEER IN CHARGE	RATCHFORD	
DESIGN MANAGER	SHEPLER	
DESIGN ACTIVITY GROUP	MIL-AERO	

AMPHENOL CORPORATION
 40-60 DELAWARE AVENUE
 SIDNEY, N.Y. 13858

CONTACT, PIN,
 SIZE 8, CONCENTRIC TWINAX

SIZE C CAGE CODE 77820 DOCUMENT NO. 21-033190-091 REV. A
 SCALE: 10:0 REF. 21-33190-71 SHEET 1 OF 1

21-033190-091

SHEET 1 OF 1

REV. A

C

B

A

FORMAT: C-U-E-1

21-033190-091

SHEET 1 OF 1

REV. A

D

C

0

A

Released

REV. A

SHEET 1 OF 1

21-033190-091