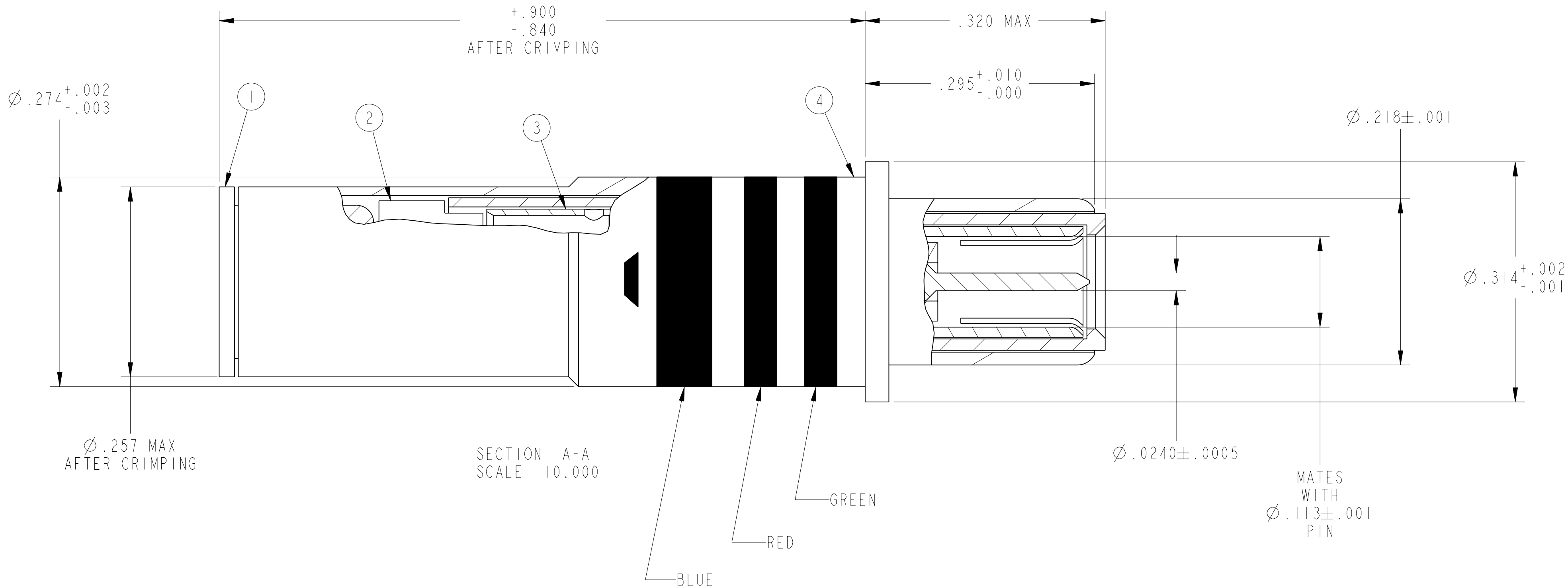
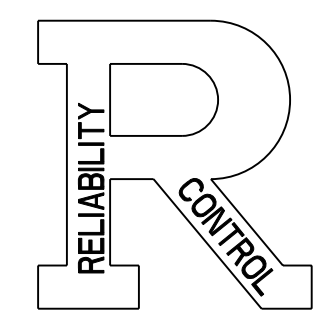


REV. A		SHEET 1 OF 1		DOCUMENT NO. 21-033190-625	
REVISIONS					
LTR	DESCRIPTION			DATE	
A	INITIAL RELEASE				



MATES WITH
Ø.113±.001
PIN



5. INDICATED ITEM NOT ILLUSTRATED.
4. CONTACT WILL ACCOMODATE MI7/176-00002 CABLE.
3. DRAWING ILLUSTRATES FINAL ASSEMBLY. COMPONENTS ARE SHIPPED UN-ASSEMBLED. COMPLETE INSTALLATION INSTRUCTIONS F/N 6, PACKED WITH EACH ASSEMBLY. PACKAGE PER PRODUCTION PROCESS SHEET.
2. MEETS THE REQUIREMENTS OF AS39029/113-625.
1. PROCESS SPEC:
SPECIAL CONTROL 9-6000-4, 9-4796
TEST 9-5272-28

NOTES:
THE USE OF THIS DOCUMENT IS UNLIMITED. HOWEVER, DOCUMENTS REFERENCED HEREON MAY CONTAIN LIMITED RIGHTS DATA.

RELEASED / Jun . 11 2007, 01:53 PM

DOCUMENT NO. 21-033190-625 SHEET 1 OF 1 REV. A

N/A
NEXT ASSEMBLY

PRO/ENGINEER INFORMATION
Pro/e Model Used:
21-033190-625.ASSEM
Drawing Name:
21-033190-625

UNLESS OTHERWISE SPECIFIED

SPECIFICATIONS

MATERIAL SPEC.

PROCESS SPEC.

SEE NOTE 1

LINEAR DIMENSIONS ARE IN INCHES
TOLERANCES:
.XXXX = ±.0005 ANGLES= ±2°
.XXX = ±.010
.XX = ±.03
.X = ±.1

DIM. & TOL. PER ASME Y14.5M;
DRM PER MIL-DTL-31000;
OTHER Amphenol Stds. PER 9-3800

LEGENDS:
= FLAG NOTE CALL OUT REFERENCE ONLY

APPROVALS

DATE

PREPARED BY: DJSMITH

ENGINEER IN CHARGE: LRATCHFORD 03-May-07

DESIGN MANAGER: HJOHNSON

DESIGN ACTIVITY GROUP: MIL AERO DEVELOP

THIRD ANGLE PROJECTION

POS	QTY	PART NUMBER	DESCRIPTION	NOTE
6	1	L-1253-AG	INSTALLATION INSTRUCTIONS	5
5	1	21-033310-001	SLEEVE	5
4	1	21-033445-010	OUTER CONTACT ASSEMBLY	
3	1	21-033445-007	INTERMEDIATE CRIMP BODY	
2	1	21-033445-009	INNER CONTACT ASSEMBLY	
1	1	21-033445-008	BUSHING	

PARTS LIST

AMPHENOL CORPORATION
40-60 DELAWARE AVENUE
SIDNEY, N.Y. 13858

**CONTACT, PIN,
CONCENTRIC TWINAX,
SIZE 8**

SIZE C	CAGE CODE 77820	DOCUMENT NO. 21-033190-625	REV. A
SCALE: 3.0		REF. 21-33190-529	SHEET 1 OF 1

DOCUMENT NO. 21-033190-625
 SHEET 1 OF 1
 REV. A
 RELEASE STATE WIP
 REVISION A
 VERSION 3