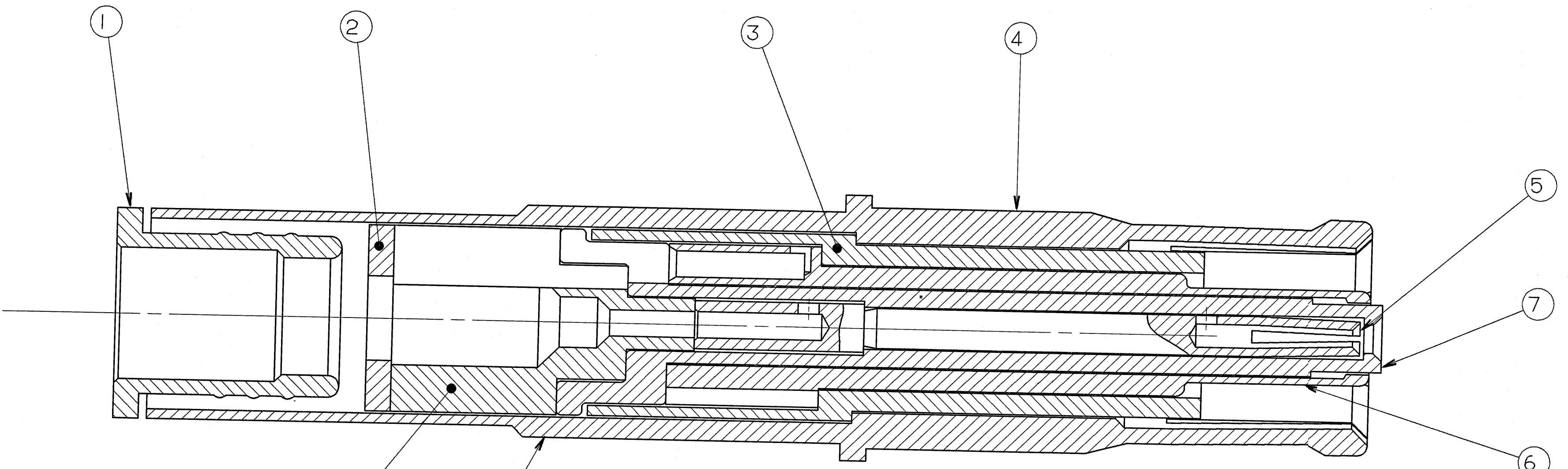


2/5/87		REVISIONS		78500-23	
ZONE	LTR	DESCRIPTION	DATE	APPROVED	
—	B	(CLII)SEE CHANGE NOTICE ECN:78171-1	4/13/87 BIVIANO	<i>J. Baker</i> P	



- 6 MEETS THE REQUIREMENTS OF MIL-C-39029/91-530 EXCEPT FOR CRIMP BUSHING DIAMETERS (F/N 1) AND LESS COLOR BANDS.
- 5 INDICATED ITEM NOT ILLUSTRATED.
- 4 CONTACT WILL ACCOMMODATE RAYCHEM CABLE PART NUMBER 10613.
3. DRAWING ILLUSTRATES FINAL ASSEMBLY. COMPLETE INSTALLATION INSTRUCTIONS (F/N 10), PACKED WITH EACH ASSEMBLY. PACKAGE PER PRODUCTION PROCESS SHEET.
- 2 BLACK INK STAMP -27 AND TRADEMARK (PER 9-6700 TYPE IV) PER 9-7530 OR 9-3856-5 IN APPROXIMATE POSITION SHOWN. DIRECTION OPTIONAL. TRADEMARK MAY BE SOLID AS SHOWN.
1. PROCESS SPEC:
TEST 9-5272-30
9-6700, 9-7530, 9-3856-5

NOTES:

THE USE OF THIS DOCUMENT IS UNLIMITED. HOWEVER, DOCUMENTS REFERENCED HEREON MAY CONTAIN LIMITED RIGHTS DATA.

GENERAL USE
NEXT ASSEMBLY

UNLESS OTHERWISE SPECIFIED LINEAR DIMENSIONS ARE IN INCHES.
TOLERANCES: .XXX±.010,
.XX ±.03, .X ±.1,
ANGLES ±2°.
OTHER STANDARDS PER 9-3800 AND DOD-D-1000.
NOTE REF. = **XX**

FIND NO.	QTY REQD.	FSCM NO.	PART NUMBER	DESCRIPTION	NOTE REF.
10	1		2133349-5	INSTALLATION INSTRUCTIONS	5
9	1		21-33310-1	SEAL	5
8	1		21-33305-1	INSULATOR	
7	1		21-33308-1	INSULATOR	
6	1		21-33314-15	CONTACT	
5	1		21-33315-15	CONTACT	
4	1		21-33311-25	CONTACT	
3	1		21-33307-1	INSULATOR	
2	1		21-33304-1	SPACER	
1	1		21-33303-35	BUSHING	

SPECIFICATIONS		SIGNATURES		DATES		PARTS LIST				
MATERIAL SPEC. N/A		HEMMER		11/12/86		AMPHENOL CORPORATION BENDIX CONNECTOR OPERATIONS SIDNEY, N.Y.				
PROCESS SPEC. SEE NOTE 1		KELLER		2/5/87		CONTACT, SOCKET, CONCENTRIC TWINAX SIZE 8				
		J. BAKER		2/4/87		SIZE	FSCM NO.	21-33191-27		REV. B
		AL. DAVIS		2/5/87		C	77820	21-33191-27		
		1ST PART NO.				SCALE	WT.	REF	21-33191-530	SHEET N/A