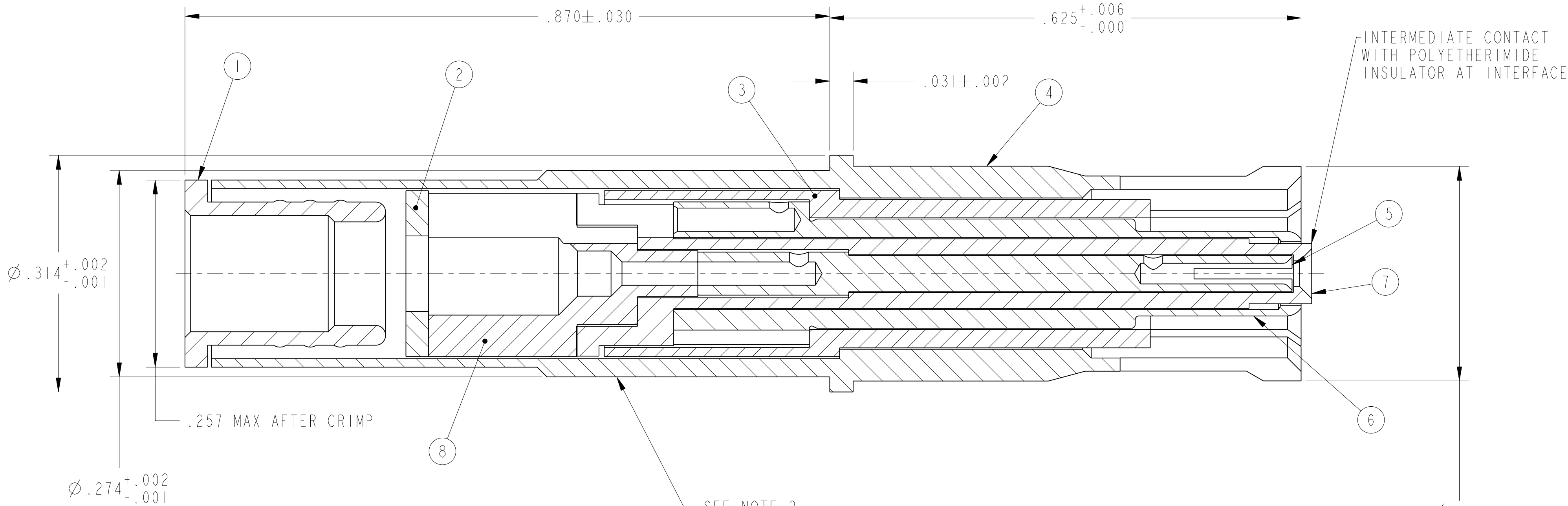
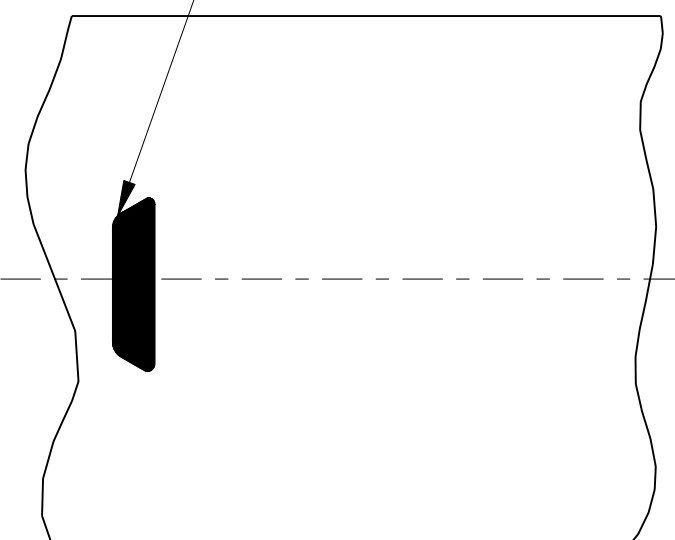


REV. A		SHEET 1 OF 1		DOCUMENT NO. 21-033191-029	
REVISIONS					
LTR	DESCRIPTION			DATE	
A	INITIAL RELEASE				



- 7. MATES WITH 21-33190-( ) TWINAX PIN CONTACT ASSEMBLIES.
- 6. MEETS THE APPLICABLE REQUIREMENTS OF M39029/91-530, EXCEPT FOR THE HEAT SHRINK BOOT REQUIREMENTS AND LESS COLOR BANDS.
- 5. INDICATED ITEM NOT ILLUSTRATED.
- 4. CONTACT WILL ACCOMODATE RAYCHEM 10613 TWINAX CABLE OR EQUIVALENT.
- 3. DRAWING ILLUSTRATES FINAL ASSEMBLY. COMPLETE INSTALLATION INSTRUCTIONS F/N 10, PACKED WITH EACH ASSEMBLY. PACKAGE PER PRODUCTION PROCESS SHEET.
- 2. IF NOT PREVIOUSLY STAMPED, BLACK INK STAMP TRADEMARK 9-6700 TYPE IV, PER 9-7530 OR 9-3856-5. IN APPROXIMATE POSITION SHOWN. DIRECTION OPTIONAL. TRADEMARK MAY BE SOLID AS SHOWN.



1. PROCESS SPEC:  
 TEST 9-5272-30  
 9-6700, 9-7530, 9-3856-5

THE USE OF THIS DOCUMENT IS UNLIMITED. HOWEVER, DOCUMENTS REFERENCED HEREON MAY CONTAIN LIMITED RIGHTS DATA.

N/A  
 NEXT ASSEMBLY

PRO/ENGINEER INFORMATION  
 Pro/e Model Used:  
 21-033191-029.ASSEM  
 Drawing Name:  
 21-033191-029

UNLESS OTHERWISE SPECIFIED  
 SPECIFICATIONS  
 LINEAR DIMENSIONS ARE IN INCHES  
 TOLERANCES:  
 .XXXX = ±.0005 ANGLES= ±2°  
 .XXX = ±.010  
 .XX = ±.03  
 .X = ±.1  
 DIM. & TOL. PER ASME Y14.5M;  
 DRM PER MIL-DTL-31000;  
 OTHER Amphenol Stds. PER 9-3800  
 LEGENDS:  
 =FLAG NOTE CALL OUT REFERENCE ONLY

MATERIAL SPEC.  
 N/A  
 PROCESS SPEC.  
 SEE NOTE 1

POS	QTY	PART NUMBER	DESCRIPTION	NOTE
10	1	L-1253-L	INSTALLATION INSTRUCTIONS	5
9	1	21-033321-005	PIGGY BACK SEAL	5
8	1	21-033305-001	INSULATOR	
7	1	21-033308-001	INSULATOR	
6	1	21-033314-015	CONTACT	
5	1	21-033315-015	CONTACT	
4	1	21-033311-025	CONTACT	
3	1	21-033307-001	INSULATOR	
2	1	21-033304-001	SPACER	
1	1	21-033303-035	BUSHING	

APPROVALS  
 PREPARED BY: RATCHFORD  
 ENGINEER IN CHARGE: RATCHFORD  
 DESIGN MANAGER: J. HEATH  
 DATE: 04-Mar-14  
 DESIGN ACTIVITY GROUP: MIL-AERO DEVELOP  
 THIRD ANGLE PROJECTION

PARTS LIST  
**AMPHENOL CORPORATION**  
 40-60 DELAWARE AVENUE  
 SIDNEY, N.Y. 13856  
**CONTACT, SOCKET,  
 ELECTRICAL CONNECTOR,  
 SIZE 8, CONCENTRIC TWINAX, TV-R**

SIZE: C CAGE CODE: 77820 DOCUMENT NO.: 21-033191-029 REV. A  
 SCALE: 10:0 REF: 21-33191-27 SHEET 1 OF 1

DOCUMENT NO. 21-033191-029 SHEET 1 OF 1 REV. A

REVISION 0 REV. A Eng. PDM Information For Reference Only SHEET 1 OF 1 DOCUMENT NO. 21-033191-029