

4

3

2

1

2/5/87		REVISIONS	78500-23	
ZONE	LTR	DESCRIPTION	DATE	APPROVED
—	B	(CLII)SEE CHANGE NOTICE ECN:78171-1	4/13/87 BIVIANO	<i>[Signature]</i>

D

C

B

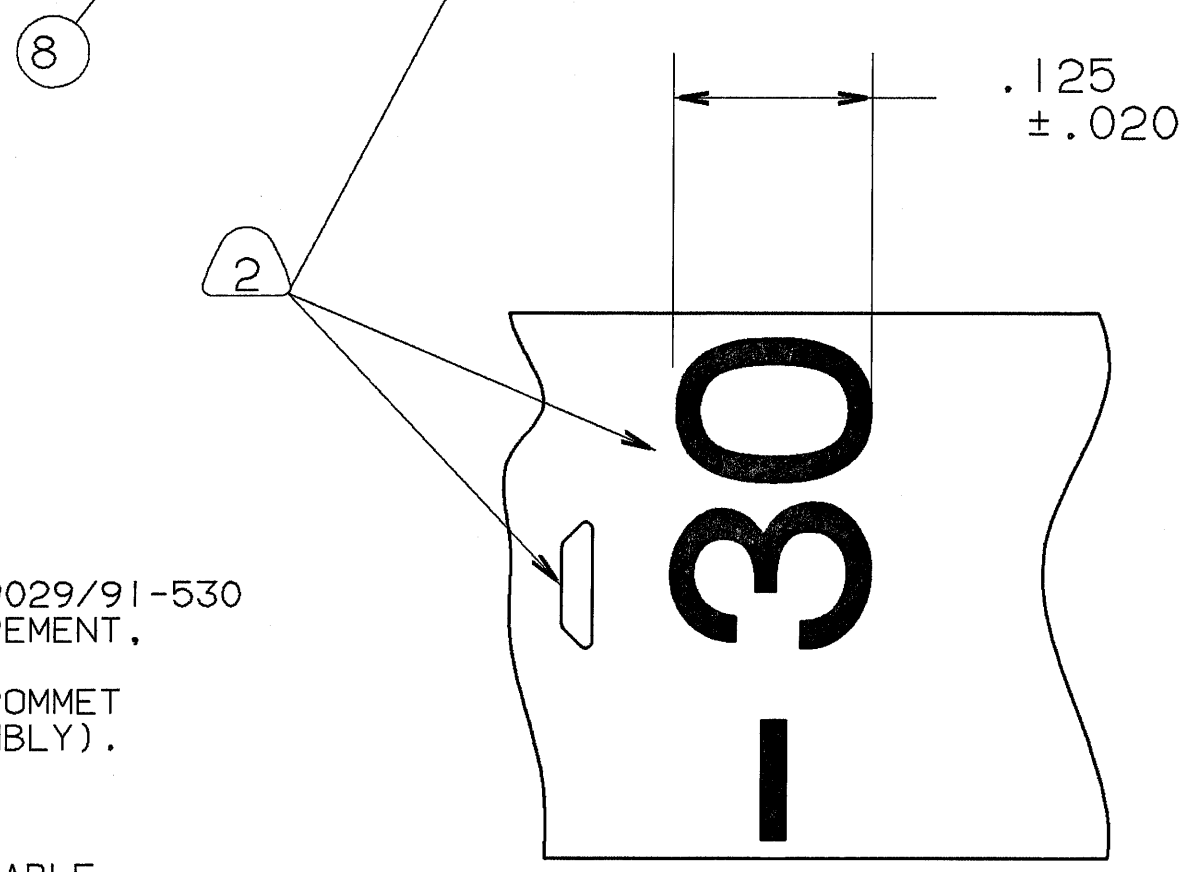
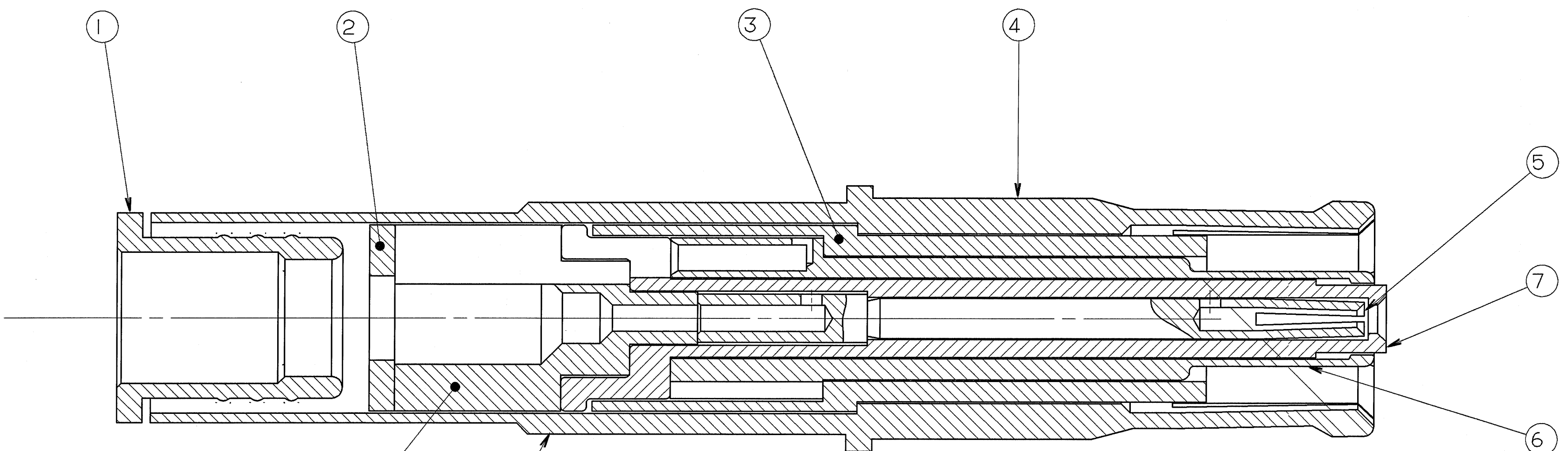
A

D

C

B

A



- 6. MEETS THE REQUIREMENTS OF MIL-C-39029/91-530 EXCEPT FOR HEAT SHRINK BOOT REQUIREMENT, CRIMP BUSHING DIAMETERS (F/N 1) AND LESS COLOR BANDS. (PIGGYBACK GROMMET SEAL SUPPLIED WITH CONNECTOR ASSEMBLY).
- 5. INDICATED ITEM NOT ILLUSTRATED.
- 4. CONTACT WILL ACCOMMODATE RAYCHEM CABLE PART NUMBER 10613.
- 3. DRAWING ILLUSTRATES FINAL ASSEMBLY. COMPLETE INSTALLATION INSTRUCTIONS (F/N 9), PACKED WITH EACH ASSEMBLY. PACKAGE PER PRODUCTION PROCESS SHEET.
- 2. BLACK INK STAMP -30 AND TRADEMARK (PER 9-6700 TYPE IV) PER 9-7530 OR 9-3856-5 IN APPROXIMATE POSITION SHOWN. DIRECTION OPTIONAL. TRADEMARK MAY BE SOLID AS SHOWN.
- 1. PROCESS SPEC:
TEST 9-5272-30
9-6700, 9-7530, 9-3856-5

NOTES:

THE USE OF THIS DOCUMENT IS UNLIMITED. HOWEVER, DOCUMENTS REFERENCED HEREON MAY CONTAIN LIMITED RIGHTS DATA.

GENERAL USE
NEXT ASSEMBLY

UNLESS OTHERWISE SPECIFIED LINEAR DIMENSIONS ARE IN INCHES.
TOLERANCES: .XXX±.010,
.XX ±.03, .X ±.1,
ANGLES ±2°.
OTHER STANDARDS PER 9-3800 AND DOD-D-1000.
NOTE REF. = **XX**

9	1		21-33349-5	INSTALLATION INSTRUCTIONS	5
8	1		21-33305-1	INSULATOR	
7	1		21-33308-1	INSULATOR	
6	1		21-33314-15	CONTACT	
5	1		21-33315-15	CONTACT	
4	1		21-33311-25	CONTACT	
3	1		21-33307-1	INSULATOR	
2	1		21-33304-1	SPACER	
1	1		21-33303-35	BUSHING	

FIND NO.	QTY REQD.	FSCM NO.	PART NUMBER	DESCRIPTION	NOTE REF.
PARTS LIST					
SPECIFICATIONS		SIGNATURES		DATES	
MATERIAL SPEC. N/A		PREPARED HEMMER		11/12/86	
		CHECKED KELLER		2/5/87	
		MATERIAL			
PROCESS SPEC. SEE NOTE 1		APPROVED J. BAKER		2/4/87	
		APPROVED AL DAVIS		2/5/87	
		1ST PART NO.			
		SIZE C		FSCM NO. 77820	
		SCALE 10/1		WT. REF. 21-33191-530	
				SHEET N/A	
				REV. B	

AMPHENOL CORPORATION
BENDIX CONNECTOR OPERATIONS
SIDNEY, N.Y.

CONTACT, SOCKET,
CONCENTRIC TWINAX
SIZE 8

21-33191-30