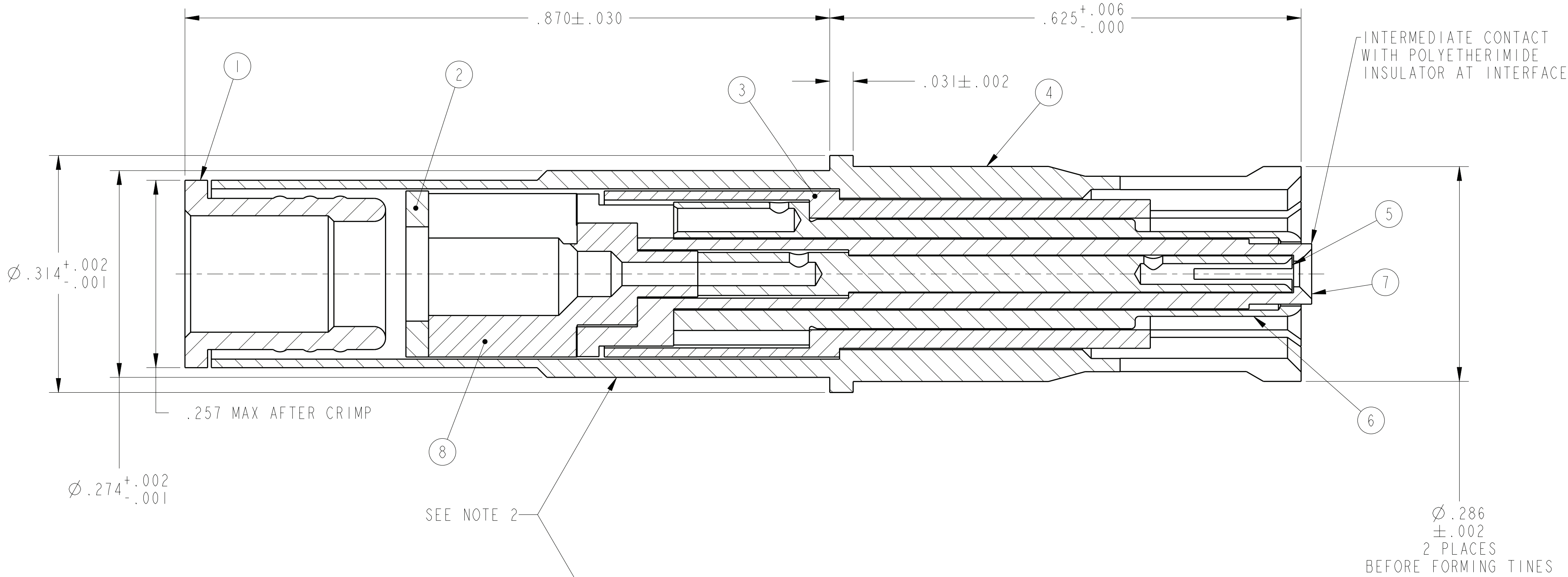
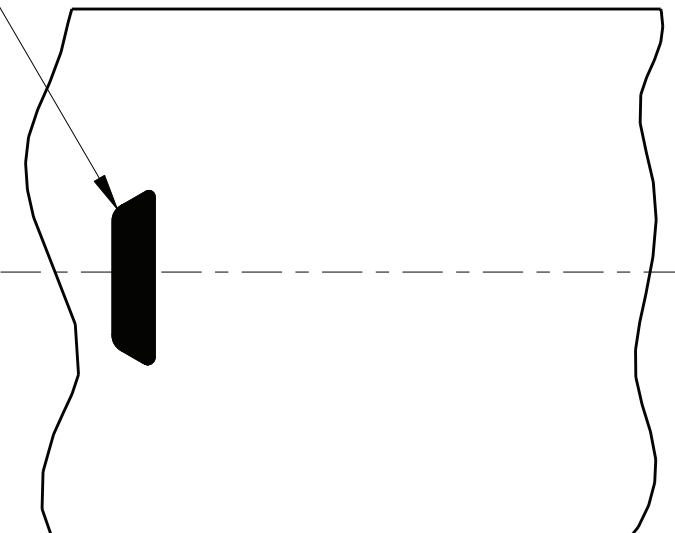


REV. A		SHEET 1 OF 1		21-033191-072	
REVISIONS					
LTR	DESCRIPTION			DATE	
A	INITIAL RELEASE			-	



SEE NOTE 2



- 6. MEETS THE APPLICABLE REQUIREMENTS OF M39029/91-530, EXCEPT LESS COLOR BANDS.
- 5. INDICATED ITEM NOT ILLUSTRATED.
- 4. CONTACT WILL ACCOMODATE S280W502-1 CABLE OR EQUIVALENT.
- 3. DRAWING ILLUSTRATES FINAL ASSEMBLY. COMPLETE INSTALLATION INSTRUCTIONS F/N 10, PACKED WITH EACH ASSEMBLY. PACKAGE PER PRODUCTION PROCESS SHEET.
- 2. IF NOT PREVIOUSLY STAMPED, BLACK INK STAMP TRADEMARK 9-6700 TYPE IV, PER 9-7530 OR 9-3856-5. IN APPROXIMATE POSITION SHOWN. DIRECTION OPTIONAL. TRADEMARK MAY BE SOLID AS SHOWN.

1. PROCESS SPEC:
 TEST 9-5272-30
 9-6700, 9-7530, 9-3856-5

NOTES:

THE USE OF THIS DOCUMENT IS UNLIMITED. HOWEVER, DOCUMENTS REFERENCED HEREON MAY CONTAIN LIMITED RIGHTS DATA.

N/A
NEXT ASSEMBLY

PRO/ENGINEER INFORMATION
 Pro/e Model Used:
 21-033191-072.ASSEM
 Drawing Name:
 21-033191-072

UNLESS OTHERWISE SPECIFIED

SPECIFICATIONS
 MATERIAL SPEC.
 N/A

PROCESS SPEC.
 SEE NOTE 1

SPECIFICATIONS

MATERIAL SPEC.

PROCESS SPEC.

SEE NOTE 1

POS	QTY	PART NUMBER	DESCRIPTION	NOTE
10	I	L-1253-V	INSTALLATION INSTRUCTIONS	5
9	I	21-033310-001	SEAL SLEEVE	5
8	I	21-033305-001	INSULATOR	
7	I	21-033308-001	INSULATOR	
6	I	21-033314-015	CONTACT	
5	I	21-033315-015	CONTACT	
4	I	21-033311-025	CONTACT	
3	I	21-033307-001	INSULATOR	
2	I	21-033304-003	SPACER	
1	I	21-033303-795	BUSHING	

PARTS LIST

APPROVALS	DATE
PREPARED BY RATCHFORD	
ENGINEER IN CHARGE RATCHFORD	21-Apr-10
DESIGN MANAGER SHEPLER	
DESIGN ACTIVITY GROUP MIL-AERO DEVELOP	

AMPHENOL CORPORATION
 40-60 DELAWARE AVENUE
 SIDNEY, N.Y. 13858

**CONTACT, SOCKET,
 SIZE 8, CONCENTRIC TWINAX**

SIZE C	CAGE CODE 77820	DOCUMENT NO. 21-033191-072	REV. A
SCALE: 10:0		REF. 21-33191-71	SHEET 1 OF 1

21-033191-072

SHEET 1 OF 1

REV. A

C

B

A

FORMAT: C-U-E-1

RELEASED / Apr . 27 2010, 9:24:58 AM
21-033191-072

SHEET 1 OF 1
REV. A

21-033191-072

SHEET 1 OF 1

REV. A

C

B

A

FORMAT: C-U-E-1