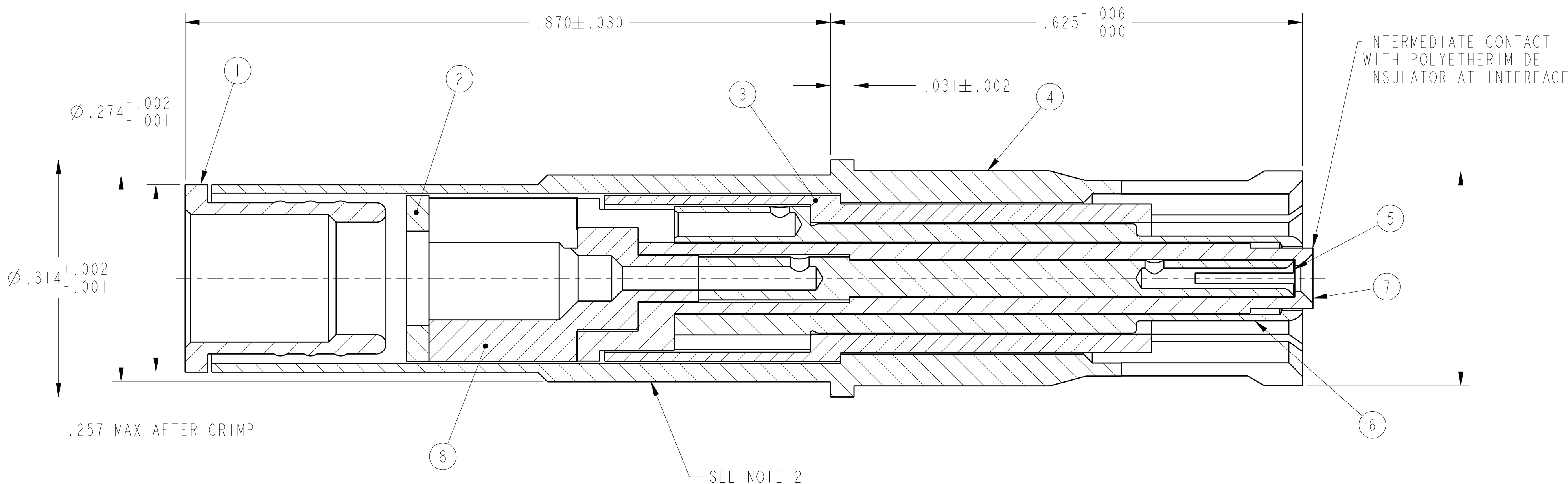


REV. A		SHEET 1 OF 1		DOCUMENT NO. 21-033191-090	
REVISIONS					
LTR	DESCRIPTION			DATE	
A	INITIAL RELEASE				



- 8. THIS CONTACT UTILIZES PIGGYBACK GROMMET SEAL 21-33321-5 SUPPLIED WITH THE ELECTRICAL CONNECTOR ASSEMBLY.
- 7. MATES WITH 21-33190-() TWINAX PIN CONTACT ASSEMBLIES.
- 6. MEETS THE APPLICABLE REQUIREMENTS OF M39029/91-530, EXCEPT FOR THE HEAT SHRINK BOOT REQUIREMENTS AND LESS COLOR BANDS.
- 5. INDICATED ITEM NOT ILLUSTRATED.
- 4. CONTACT WILL ACCOMODATE PIC E10224 CABLE OR EQUIVALENT.
- 3. DRAWING ILLUSTRATES FINAL ASSEMBLY. COMPLETE INSTALLATION INSTRUCTIONS F/N 9, PACKED WITH EACH ASSEMBLY. PACKAGE PER PRODUCTION PROCESS SHEET.
- 2. IF NOT PREVIOUSLY STAMPED, BLACK INK STAMP TRADEMARK 9-6700 TYPE IV, PER 9-7530 OR 9-3856-5. IN APPROXIMATE POSITION SHOWN. DIRECTION OPTIONAL. TRADEMARK MAY BE SOLID OR FRAME.

Ø .286
±.002
2 PLACES
BEFORE FORMING TINES

1. PROCESS SPEC:
TEST 9-5272-30
9-6700, 9-7530, 9-3856-5

THE USE OF THIS DOCUMENT IS UNLIMITED. HOWEVER, DOCUMENTS REFERENCED HEREON MAY CONTAIN LIMITED RIGHTS DATA.

RELEASED / Jun . 17 2009, 2:53:34 PM
DOCUMENT NO. 21-033191-090
SHEET 1 OF 1
REV. A

N/A
NEXT ASSEMBLY

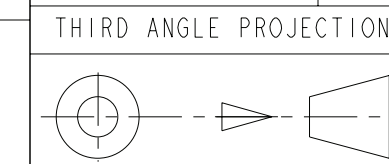
PRO/ENGINEER INFORMATION
Pro/e Model Used:
21-033191-090.ASSEM
Drawing Name:
21-033191-090

UNLESS OTHERWISE SPECIFIED
LINEAR DIMENSIONS ARE IN INCHES
TOLERANCES:
.XXXX = ±.0005 ANGLES= ±2°
.XXX = ±.010
.XX = ±.03
.X = ±.1
DIM. & TOL. PER ASME Y14.5M;
DRM PER MIL-DTL-31000;
OTHER Amphenol Stds. PER 9-3800
LEGENDS:
= FLAG NOTE CALL OUT REFERENCE ONLY

SPECIFICATIONS
MATERIAL SPEC.
N/A
PROCESS SPEC.
SEE NOTE 1

POS	QTY	PART NUMBER	DESCRIPTION	NOTE
9	1	L-1253-AD	INSTALLATION INSTRUCTIONS	5
8	1	21-033305-001	INSULATOR	
7	1	21-033308-001	INSULATOR	
6	1	21-033314-015	CONTACT	
5	1	21-033315-015	CONTACT	
4	1	21-033311-025	CONTACT	
3	1	21-033307-001	INSULATOR	
2	1	21-033304-003	SPACER	
1	1	21-033303-835	BUSHING	

APPROVALS		DATE
PREPARED BY	RATCHFORD	04-Jun-09
ENGINEER IN CHARGE	RATCHFORD	
DESIGN MANAGER	SHEPLER	
DESIGN ACTIVITY GROUP	MIL-AERO DEVELOP	



PARTS LIST			
AMPHENOL CORPORATION 40-60 DELAWARE AVENUE SIDNEY, N.Y. 13858			
CONTACT, SOCKET, SIZE 8, CONCENTRIC TWINAX			
SIZE C	CAGE CODE 77820	DOCUMENT NO. 21-033191-090	REV. A
SCALE: 10:0		REF. 21-33191-71	SHEET 1 OF 1

21-033191-090

SHEET 1 OF 1

REV. A

C

B

A

FORMAT: C-U-E-I

21-033191-090

SHEET 1 OF 1

REV. A

C

B

A

21-033191-090