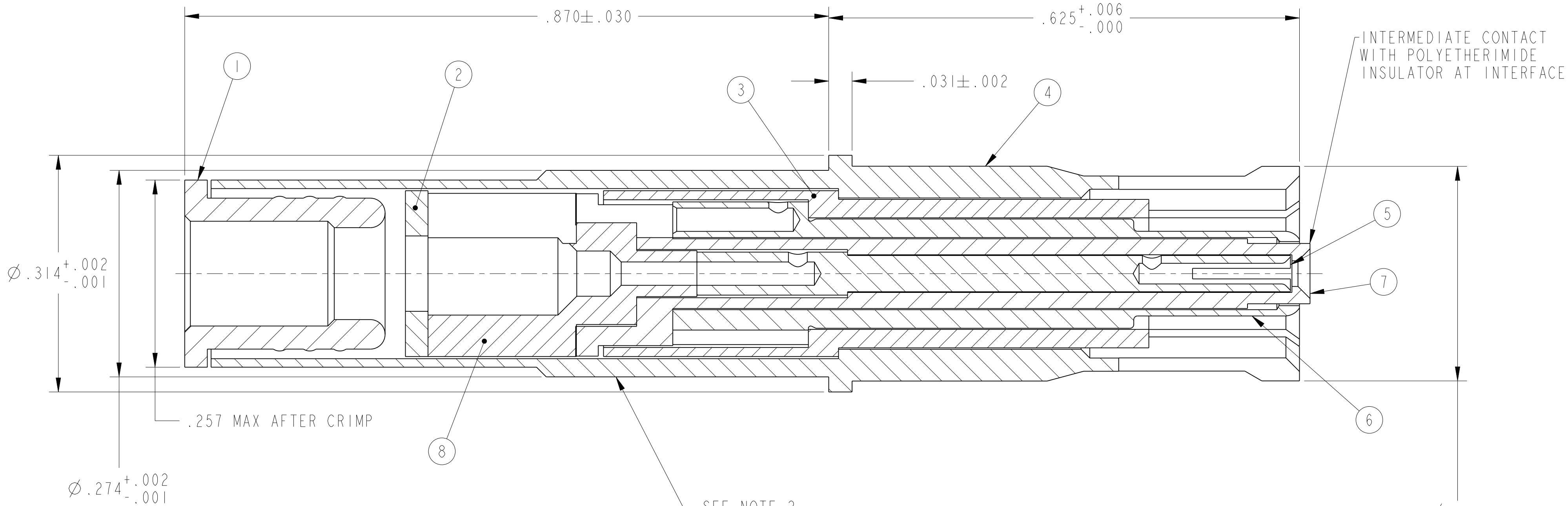
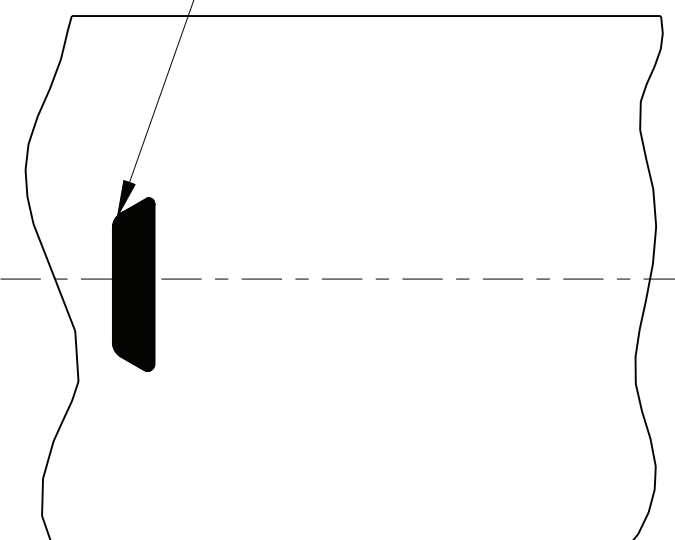


REV. A		SHEET 1 OF 1		21-033191-261	
REVISIONS					
LTR	DESCRIPTION			DATE	
A	INITIAL RELEASE				



- 7. MATES WITH 21-33190-() TWINAX PIN CONTACT ASSEMBLIES.
- 6. MEETS THE APPLICABLE REQUIREMENTS OF M39029/91-530, EXCEPT FOR THE HEAT SHRINK BOOT REQUIREMENTS AND LESS COLOR BANDS.
- 5. INDICATED ITEM NOT ILLUSTRATED.
- 4. CONTACT WILL ACCOMODATE RAYCHEM 10612 TWINAX CABLE OR EQUIVALENT.
- 3. DRAWING ILLUSTRATES FINAL ASSEMBLY. COMPLETE INSTALLATION INSTRUCTIONS F/N 10, PACKED WITH EACH ASSEMBLY. PACKAGE PER PRODUCTION PROCESS SHEET.
- 2. IF NOT PREVIOUSLY STAMPED, BLACK INK STAMP TRADEMARK 9-6700 TYPE IV, PER 9-7530 OR 9-3856-5. IN APPROXIMATE POSITION SHOWN. DIRECTION OPTIONAL. TRADEMARK MAY BE SOLID AS SHOWN.



1. PROCESS SPEC:
 TEST 9-5272-30
 9-6700, 9-7530, 9-3856-5

THE USE OF THIS DOCUMENT IS UNLIMITED. HOWEVER, DOCUMENTS REFERENCED HEREON MAY CONTAIN LIMITED RIGHTS DATA.

N/A
 NEXT ASSEMBLY

PRO/ENGINEER INFORMATION
 Pro/e Model Used:
 21-033191-261.ASSEM
 Drawing Name:
 21-033191-261

UNLESS OTHERWISE SPECIFIED
 SPECIFICATIONS
 LINEAR DIMENSIONS ARE IN INCHES
 TOLERANCES:
 .XXXX = ±.0005 ANGLES= ±2°
 .XXX = ±.010
 .XX = ±.03
 .X = ±.1
 DIM. & TOL. PER ASME Y14.5M;
 DRM PER MIL-DTL-31000;
 OTHER Amphenol Stds. PER 9-3800
 LEGENDS:
 =FLAG NOTE CALL OUT REFERENCE ONLY

MATERIAL SPEC. N/A
 PROCESS SPEC. SEE NOTE 1

POS	QTY	PART NUMBER	DESCRIPTION	NOTE
10	I	L-1253-AH	INSTALLATION INSTRUCTIONS	5
9	I	21-033321-005	PIGGY BACK SEAL	5
8	I	21-033305-001	INSULATOR	
7	I	21-033308-001	INSULATOR	
6	I	21-033314-015	CONTACT	
5	I	21-033315-015	CONTACT	
4	I	21-033311-025	CONTACT	
3	I	21-033307-001	INSULATOR	
2	I	21-033304-001	SPACER	
1	I	21-033303-825	BUSHING	

APPROVALS
 PREPARED BY: RATCHFORD
 ENGINEER IN CHARGE: RATCHFORD
 DESIGN MANAGER: J. HEATH
 DESIGN ACTIVITY GROUP: MIL-AERO DEVELOP
 DATE: 14-Jan-09
 THIRD ANGLE PROJECTION

PARTS LIST
AMPHENOL CORPORATION
 40-60 DELAWARE AVENUE
 SIDNEY, N.Y. 13858
**CONTACT, SOCKET,
 SIZE 8, CONCENTRIC TWINAX**

SIZE: C CAGE CODE: 77820 DOCUMENT NO: 21-033191-261 REV. A
 SCALE: 10:0 REF: 21-33191-71 SHEET 1 OF 1

21-033191-261

SHEET 1 OF 1

REV. A

C

B

A

FORMAT: C-U-E-1

21-033191-261

SHEET 1 OF 1

REV. A

21-033191-261

SHEET 1 OF 1

REV. A

C

B

A

21-033191-261