

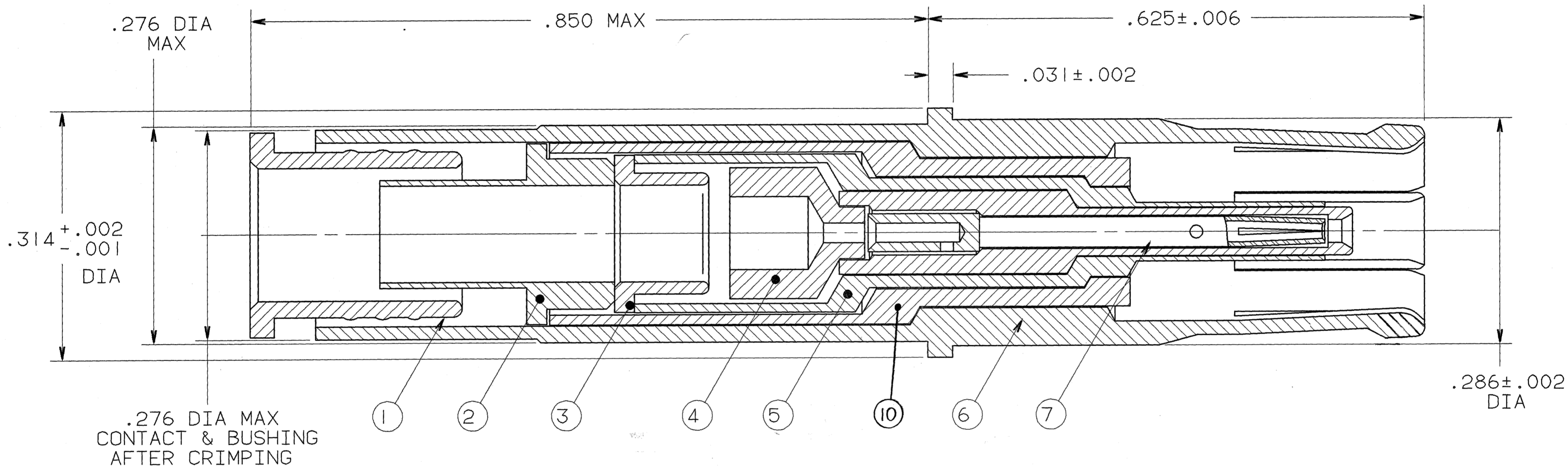
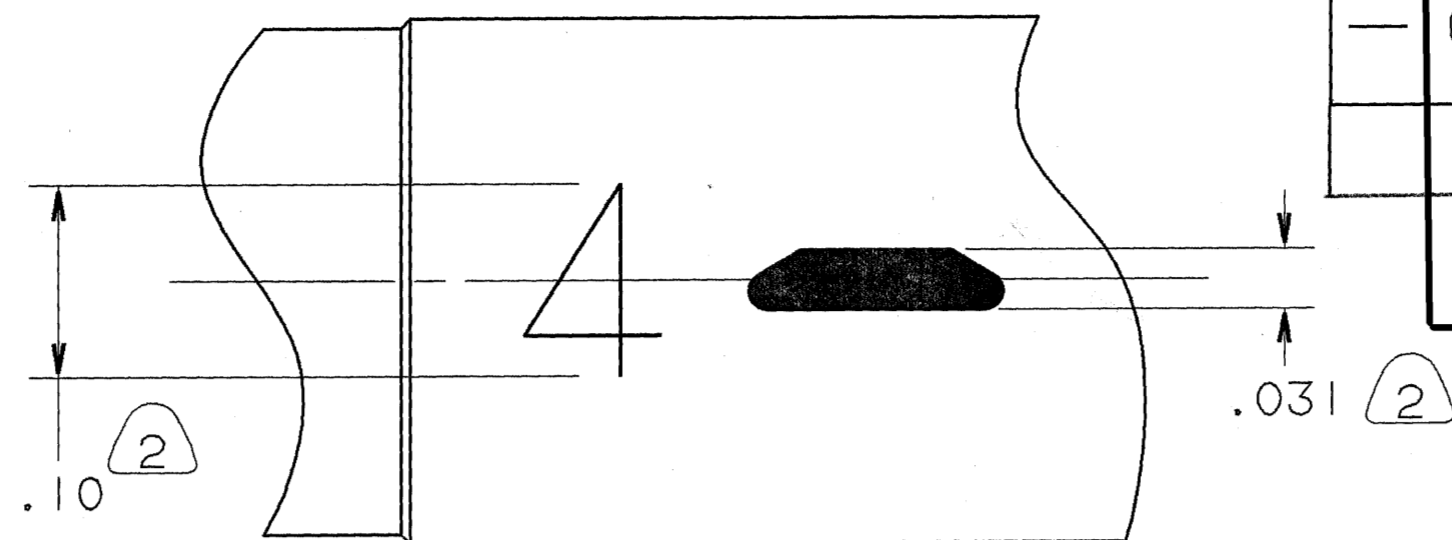
4

3

2

1

4/26/88		REVISIONS	70000-154	
ZONE	LTR	DESCRIPTION	DATE	APPROVED
	C	(CL II) ADDED F/N 9 ECN: 20812-1	08/12/88 CODINGTON	Lesbit P
	D	(CL II) SEE CHG SHEET ECN: 80945	8-6-96	
	E	(CL II) UPDATED: 9-4796-1 TO -2/ BENDIX TO AMPHEOL ECN: B1418	4-12-11 JONES	



- 8. MATES WITH PIN CONTACTS 21-33198-4 AND 21-33198.
- 7. HANDLE CAREFULLY TO AVOID DISTORTION.
- 6. FINISH ON ALL METAL PARTS:
.000050 MIN GOLD, (KNOOP HARDNESS 130-200), OVER NICKEL UNDERPLATE.
- 5. INDICATED ITEM IS NOT ILLUSTRATED.
- 4. CONTACT WILL ACCOMMODATE TRIAXIAL CABLE MCAIR 5M2559-001.
- 3. DRAWING ILLUSTRATES FINAL ASSEMBLY. COMPLETE INSTALLATION INSTRUCTIONS, (F/N 8), ARE PACKED WITH EACH ASSEMBLY. PACKAGE PER PRODUCTION PROCESS SHEET.
- 2. BLACK INK STAMP TRADEMARK, 9-6700 TYPE IV, AND "4", PER 9-7530 OR 9-3856-5, IN APPROXIMATE POSITION SHOWN; DIRECTION OPTIONAL. TRADEMARK MAY BE SOLID AS SHOWN.

9. BOND OUTER CONTACT TO OUTER INSULATOR PER 9-8798-1

- 1. PROCESS SPEC:
TEST 9-5272-29,
PROCESS SHEET CONTROL 9-4796-2,
9-6700, 9-7530, 9-3856-5, 9-8798-1

NOTES:

THE USE OF THIS DOCUMENT IS UNLIMITED. HOWEVER, DOCUMENTS REFERENCED HEREON MAY CONTAIN LIMITED RIGHTS DATA.

N/A
N/A
NEXT ASSEMBLY

UNLESS OTHERWISE SPECIFIED LINEAR DIMENSIONS ARE IN INCHES.
TOLERANCES: .XXX ± .010,
.XX ± .03, .X ± .1,
ANGLES ± 2°.
OTHER STANDARDS PER 9-3800 AND DOD-D-1000.
NOTE REF. = XX

FIND NO.	QTY REQD.	FSCM NO.	PART NUMBER	DESCRIPTION	NOTE REF.
10	1		21-33336-4	INSULATOR, OUTER	
9	1		21-33321-5	PIGGYBACK GROMMET SEAL	5
8	1		21-33855-4	INSTALLATION INSTRUCTIONS	3,5
7	1		21-33337-55	CONTACT	7
6	1		21-33311-95	CONTACT	
5	1		21-33334-45	CONTACT	
4	1		21-1381-103	INSULATOR	
3	1		21-33303-415	BUSHING	7
2	1		21-1381-107	INSULATOR	
1	1		21-33303-115	BUSHING	

PARTS LIST		SPECIFICATIONS		SIGNATURES		DATES	
MATERIAL SPEC. N/A		A. PRESCOTT		4/12/88		AMPHENOL CORPORATION 40-60 DELAWARE AVENUE SIDNEY, N.Y.	
PROCESS SPEC. SEE NOTE 1		HEMMER		4/22/88		CONTACT, SOCKET, TRIAXIAL, TYPE LJT-R & TV-R, SIZE 8	
		DAVIS		4/26/88		U	
SIZE	FSCM NO.	21-33197-4		REV. E			
SCALE	10/1	REF 21-33197		SHEET N/A			

COMPUTER GENERATED DRAWING.

105050001

04202

N/A