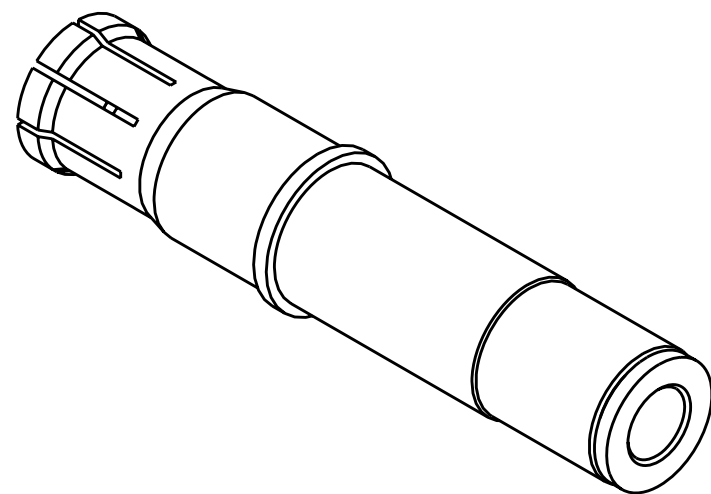


REV. A	SHEET 1 OF 1	DOCUMENT NO. 21-033197-014
REVISIONS		
LTR	DESCRIPTION	DATE
A	INITIAL RELEASE	



21-033197-014

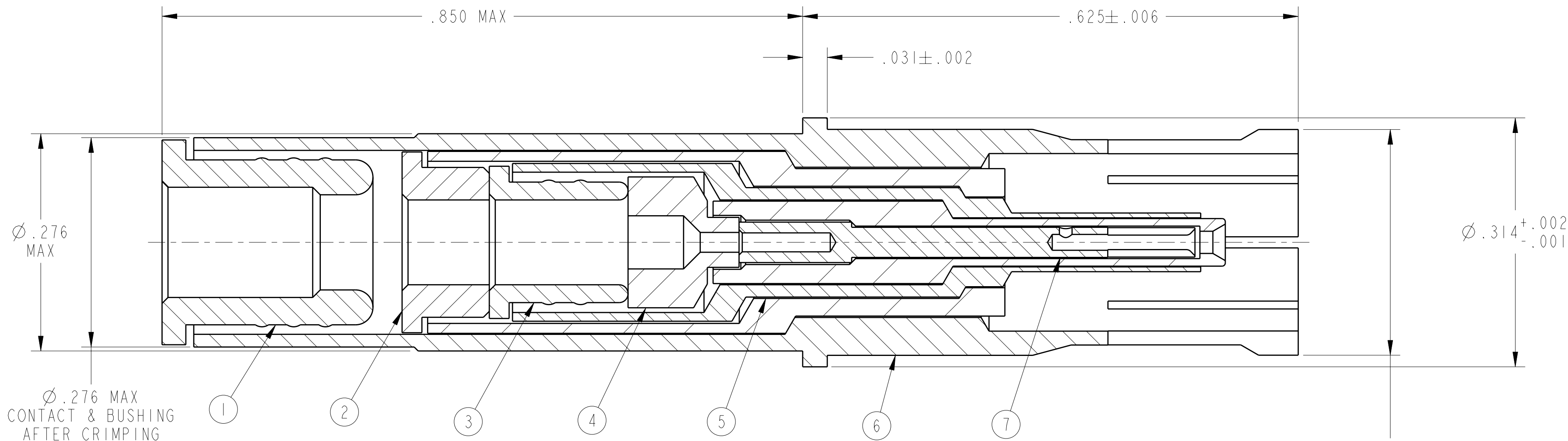
SHEET 1 OF 1

REV. A

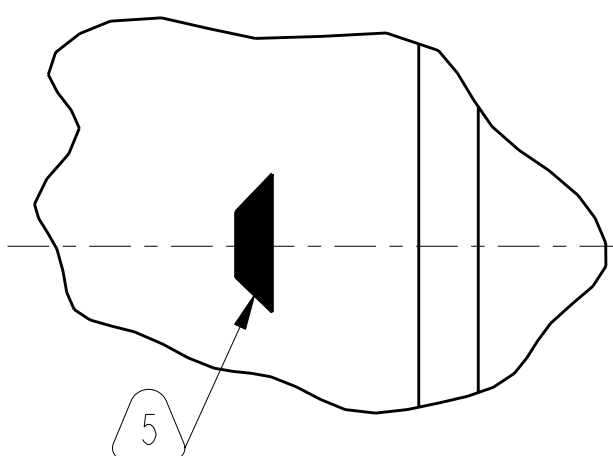
C

B

A



- 7. INDICATED ITEM IS NOT ILLUSTRATED.
- 6. PROCESS SPEC:
TEST 9-5272-29
9-6700, 9-7530, 9-3856-5.
- 5. BLACK INK STAMP TRADEMARK 9-6700 TYPE IV PER 9-7530 OR 9-3856-5 ON OUTER CONTACT, IF NOT PREVIOUSLY STAMPED. TRADEMARK MAY BE SOLID AND DIRECTION IS OPTIONAL.
- 4. DRAWING ILLUSTRATES FINAL ASSEMBLY. COMPONENTS ARE SHIPPED UNASSEMBLED. COMPLETE INSTALLATION INSTRUCTIONS ARE PACKAGED WITH EACH ASSEMBLY. PACKAGE PER PRODUCTION PROCESS SHEETS.
- 3. CONTACT TERMINATES CHEMINAX 7530A5314 TRIAX CABLE OR EQUIVALENT.
- 2. FINISH ON ALL METAL COMPONENTS:
.000050 MIN GOLD, OVER NICKEL UNDERPLATE.
- 1. MATES WITH 21-33198-() TRIAX PIN CONTACTS & OTHERS.



POS	QTY	PART NUMBER	DESCRIPTION	NOTE
9	1	L-1254-V	INSTALLATION INSTRUCTIONS	4, 7
8	1	21-033321-005	PIGGYBACK GROMMET SEAL	7
7	1	21-033337-055	INNER CONTACT	
6	1	21-033335-045	OUTER CONTACT	
5	1	21-033334-045	INTERMEDIATE CONTACT	
4	1	21-001381-108	INSULATOR	
3	1	21-033303-425	BUSHING	
2	1	21-001381-104	INSULATOR	
1	1	21-033303-865	BUSHING	

UNLESS OTHERWISE SPECIFIED	SPECIFICATIONS
LINEAR DIMENSIONS ARE IN INCHES TOLERANCES: .XXXX = ±.0005 ANGLES= ±2° .XXX = ±.010 .XX = ±.03 .X = ±.1	MATERIAL SPEC. N/A
DIM. & TOL. PER ASME Y14.5M; DRM PER MIL-DTL-31000; OTHER Amphenol Stds. PER 9-3800	PROCESS SPEC. SEE NOTE 6
LEGENDS: = FLAG NOTE CALL OUT REFERENCE ONLY	

APPROVALS		DATE
PREPARED BY	RATCHFORD	
ENGINEER IN CHARGE	RATCHFORD	17-Feb-12
DESIGN MANAGER	SHEPLER	
DESIGN ACTIVITY GROUP	MIL AERO	
THIRD ANGLE PROJECTION		

PARTS LIST			
AMPHENOL CORPORATION 40-60 DELAWARE AVENUE SIDNEY, N.Y. 13858			
CONTACT, SOCKET, TRIAXIAL, TYPE LJT-R & TV-R, SIZE 8			
SIZE C	CAGE CODE 77820	DOCUMENT NO. 21-033197-014	REV. A
SCALE: 10:0	REF 21-33197-3	SHEET 1 OF 1	

THE USE OF THIS DOCUMENT IS UNLIMITED. HOWEVER, DOCUMENTS REFERENCED HEREON MAY CONTAIN LIMITED RIGHTS DATA.

N/A	NEXT ASSEMBLY
-----	---------------

PRO/ENGINEER INFORMATION
Pro/e Model Used:
21-033197-014.ASSEM
Drawing Name:
21-033197-014

RELEASED / Jun . 12 2012, 1:15:12 PM

21-033197-014

SHEET 1 OF 1

REV. A

Eng. PDM Information For Reference Only

REVISION A

REVISION 0

SHEET 1 OF 1

21-033197-014

REV. A