

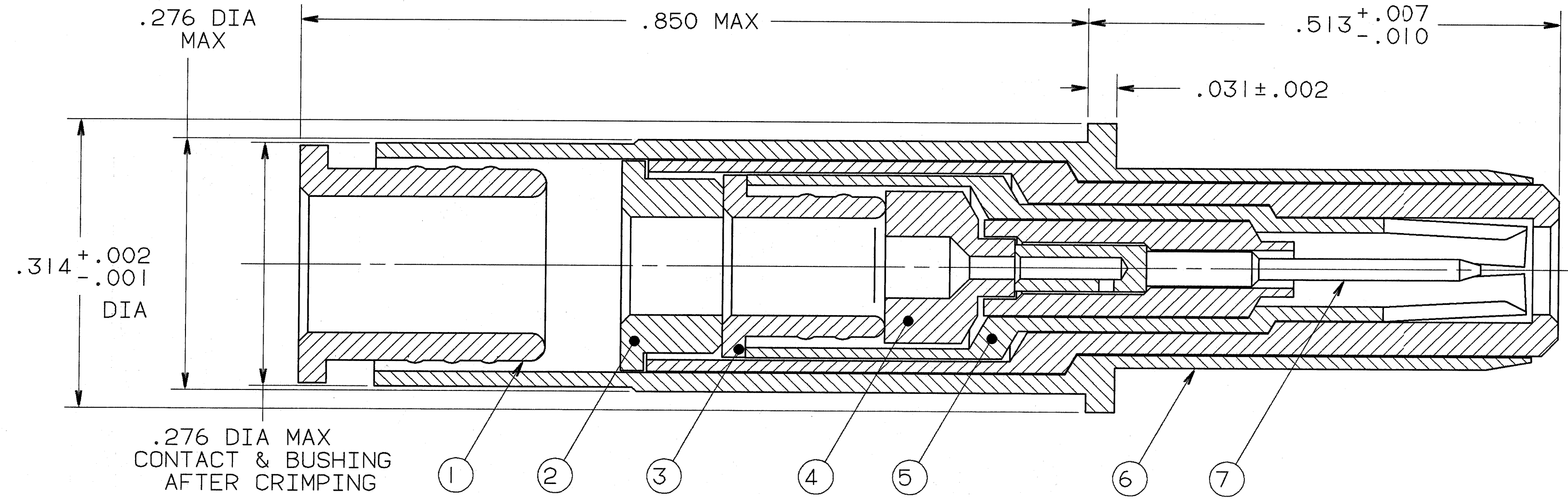
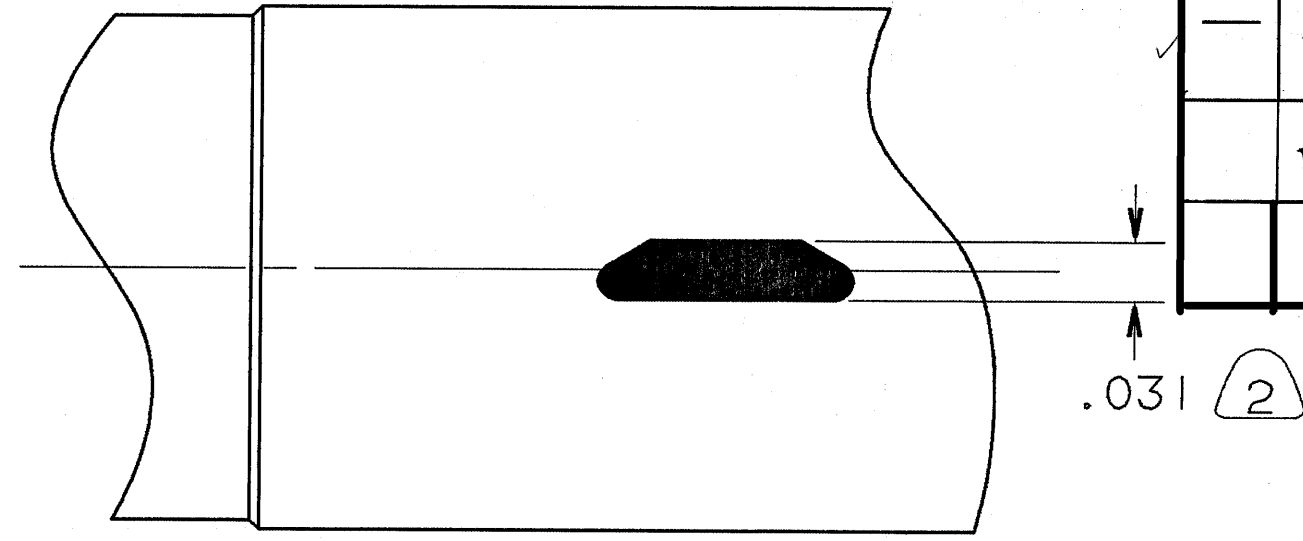
4

3

2

1

REVISIONS				
ZONE	LTR	DESCRIPTION	DATE	APPROVED
	A	INITIAL RELEASE NUM: 70089-326		
	B	(CL I) SEE CHG NOTICE ECN: 80174	8-8-96	GROSCH <i>he</i>
	C	(CL II) UPDATED 9-4796-1 TO -2/ BENDIX TO AMPHENOL ECN: B1418	4-12-11	JONES



.276 DIA MAX
CONTACT & BUSHING
AFTER CRIMPING

- 8. MATES WITH ANY SOCKET CONTACT IN 21-33197 PART NUMBER SERIES.
- 7. HANDLE CAREFULLY TO AVOID DISTORTION.
- 6. FINISH ON ALL METAL PARTS:
.000050 MIN GOLD, (KNOOP HARDNESS 130-200), OVER NICKEL UNDERPLATE.
- 5. INDICATED ITEM IS NOT ILLUSTRATED.
- 4. CONTACT WILL ACCOMMODATE TRIAXIAL CABLE MCAIR PART NUMBER 5M2397-001 OR 5M2397-002.
- 3. DRAWING ILLUSTRATES FINAL ASSEMBLY. COMPLETE INSTALLATION INSTRUCTIONS, (F/N 8), ARE PACKED WITH EACH ASSEMBLY. PACKAGE PER PRODUCTION PROCESS SHEET.
- 2. IF NOT PREVIOUSLY STAMPED, BLACK INK STAMP TRADEMARK, 9-6700 TYPE IV, PER 9-7530 OR 9-3856-5, IN APPROXIMATE POSITION SHOWN; DIRECTION OPTIONAL. TRADEMARK MAY BE SOLID AS SHOWN.

- 1. PROCESS SPEC:
TEST 9-5272-29,
PROCESS SHEET CONTROL 9-4796-2,
9-6700, 9-7530, 9-3856-5.

NOTES:
THE USE OF THIS DOCUMENT IS UNLIMITED.
HOWEVER, DOCUMENTS REFERENCED HEREON
MAY CONTAIN LIMITED RIGHTS DATA.

COMPANY ID: 9
CODED/MS/CUST: N
INTERNAL: N
LOTNO: N
DATE CODE: N
SEE PRINT: Y

UNLESS OTHERWISE SPECIFIED
LINEAR DIMENSIONS ARE IN
INCHES.
TOLERANCES: .XXX±.010,
.XX ±.03, .X ±.1,
ANGLES ±2°.
OTHER STANDARDS PER 9-3800
AND DOD-D-1000.
NOTE REF. = (XX)

FIND NO.	QTY REQD.	FSCM NO.	PART NUMBER	DESCRIPTION	NOTE REF.
9	1		21-33321-5	PIGGYBACK GROMMET SEAL	5
8	1		21-33854-3	INSTALLATION INSTRUCTIONS	3,5
7	1		21-33344-55	CONTACT	7
6	1		21-33347-45	CONTACT	
5	1		21-33346-45	CONTACT	
4	1		21-1381-108	INSULATOR	
3	1		21-33303-425	BUSHING	7
2	1		21-1381-104	INSULATOR	
1	1		21-33303-125	BUSHING	

PARTS LIST			AMPHENOL CORPORATION 40-60 DELAWARE AVENUE SIDNEY, N.Y.	
SPECIFICATIONS	SIGNATURES	DATES	SIZE	FSCM NO.
MATERIAL SPEC. N/A	PREPARED A. PRESCOTT	8/29/89	C	77820
	CHECKED <i>Lemmer</i>	11-8-89	SCALE	10/1
	MATERIAL <i>Red Morris</i>	11/9/89	WT.	
	APPROVED <i>Lemmer</i>	11-8-89	REF	21-33198-4
PROCESS SPEC. SEE NOTE 1	APPROVED <i>Al Davis</i>	13-Nov-89	SHEET	N/A
	1ST PART NO. 21-033198-003		REV.	C

21-33198-3

B

A

D

D

C

C

B

A

11/28/89 08:48 * 89211 19:48 * PREPSE * 21-33198-3 * 001

CLIP HERE