

4

3

2

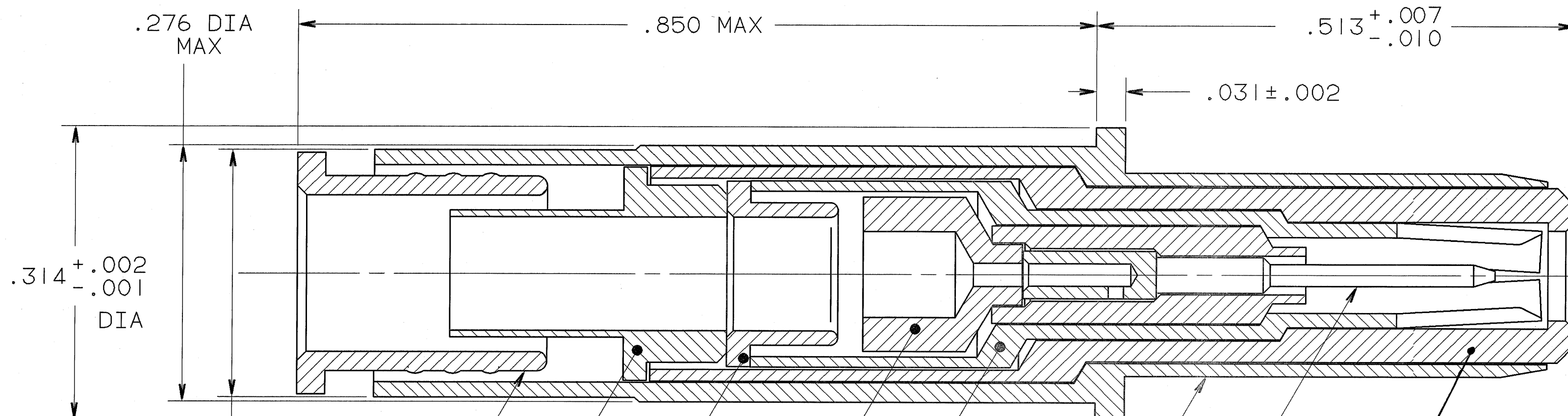
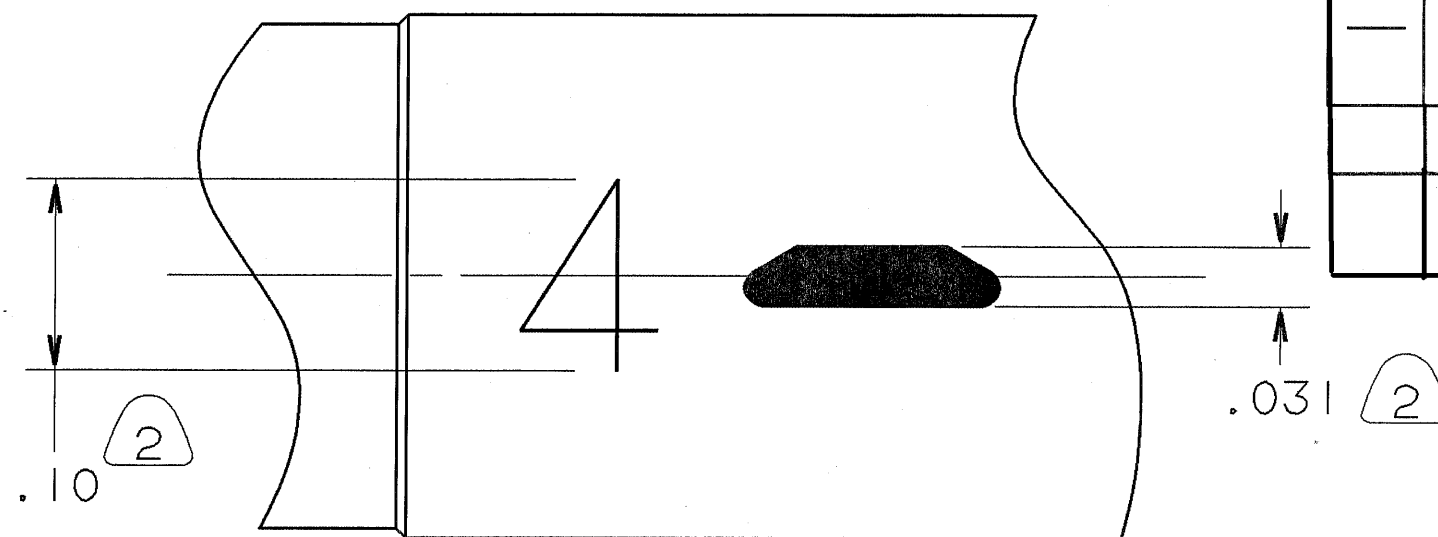
1

4/27/88

REVISIONS

70000-154

ZONE	LTR	DESCRIPTION	DATE	APPROVED
C		(CL II) ADDED F/N 9 ECN: 20812-1	08/12/88 CODINGTON	Lesbit P
D		(CL II) SEE CHG SHEET ECN: 80945	8-6-96	
E		(CL II) UPDATED 9-4796-1 TO -2/ BENDIX TO AMPHENOL ECN: B1418	4-12-11 JONES	



.276 DIA MAX  
CONTACT & BUSHING  
AFTER CRIMPING

8. MATES WITH SOCKET CONTACT 21-33197-4 AND 21-33197.
  7. HANDLE CAREFULLY TO AVOID DISTORTION.
  6. FINISH ON ALL METAL PARTS:  
.000050 MIN GOLD, (KNOOP HARDNESS 130-200), OVER NICKEL UNDERPLATE.
  5. INDICATED ITEM IS NOT ILLUSTRATED.
  4. CONTACT WILL ACCOMMODATE TRIAXIAL CABLE MCAIR 5M2559-001.
  3. DRAWING ILLUSTRATES FINAL ASSEMBLY. COMPLETE INSTALLATION INSTRUCTIONS, (F/N 8), ARE PACKED WITH EACH ASSEMBLY. PACKAGE PER PRODUCTION PROCESS SHEET.
  2. BLACK INK STAMP TRADEMARK, 9-6700 TYPE IV, AND "4", PER 9-7530 OR 9-3856-5, IN APPROXIMATE POSITION SHOWN; DIRECTION OPTIONAL. TRADEMARK MAY BE SOLID AS SHOWN.
  1. PROCESS SPEC:  
TEST 9-5272-29,  
PROCESS SHEET CONTROL 9-4796-2,  
9-6700, 9-7530, 9-3856-5, 9-8798-1
9. BOND OUTER CONTACT TO OUTER INSULATOR PER 9-8798-1

FIND NO.	QTY REQD.	FSCM NO.	PART NUMBER	DESCRIPTION	NOTE REF.
10	1		21-33345-4	INSULATOR, OUTER	
9	1		21-33321-5	PIGGYBACK GROMMET SEAL	5
8	1		21-33854-4	INSTALLATION INSTRUCTIONS	3,5
7	1		21-33344-55	CONTACT	7
6	1		21-33318-115	CONTACT	
5	1		21-33346-45	CONTACT	
4	1		21-1381-103	INSULATOR	
3	1		21-33303-415	BUSHING	7
2	1		21-1381-107	INSULATOR	
1	1		21-33303-115	BUSHING	

UNLESS OTHERWISE SPECIFIED  
LINEAR DIMENSIONS ARE IN  
INCHES.  
TOLERANCES: .XXX±.010,  
.XX ±.03, .X ±.1,  
ANGLES ±2°.  
OTHER STANDARDS PER 9-3800  
AND DOD-D-1000.  
NOTE REF. = **XX**

PARTS LIST			AMPHENOL CORPORATION 40-60 DELAWARE AVENUE SIDNEY, N.Y.	
SPECIFICATIONS	SIGNATURES	DATES	SIZE	FSCM NO.
MATERIAL SPEC. N/A	PREPARED A. PRESCOTT CHECKED BARR MATERIAL DOWDIE	4/12/88 4/27/88 4/22/88	C	77820
PROCESS SPEC. SEE NOTE 1	APPROVED HEMMER APPROVED DAVIS	4/22/88 4/27/88	SCALE	WT.
	1ST PART NO.		10/1	
			REF	21-33198
			SHEET	N/A
			REV.	E

TES:  
THE USE OF THIS DOCUMENT IS UNLIMITED.  
HOWEVER, DOCUMENTS REFERENCED HEREON  
MAY CONTAIN LIMITED RIGHTS DATA.

N/A  
N/A  
NEXT ASSEMBLY

21-33198-4