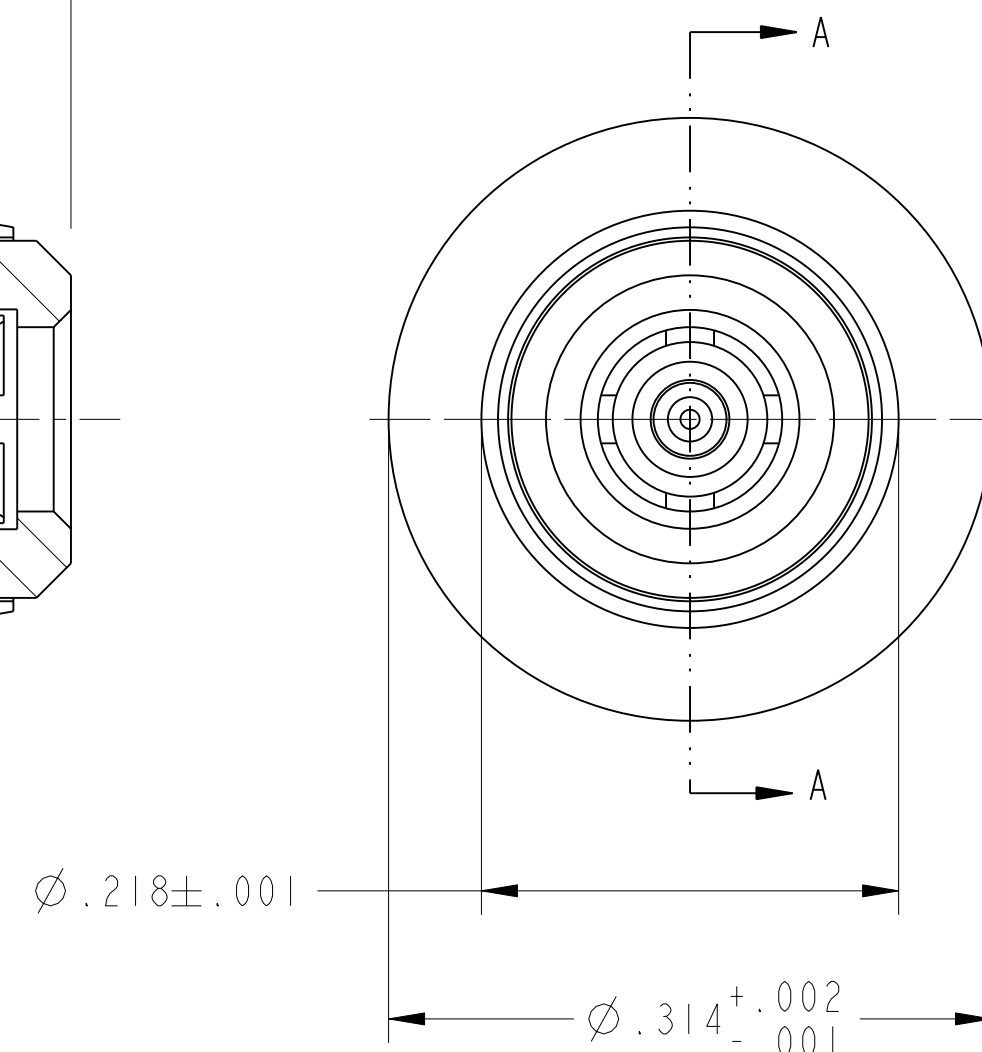
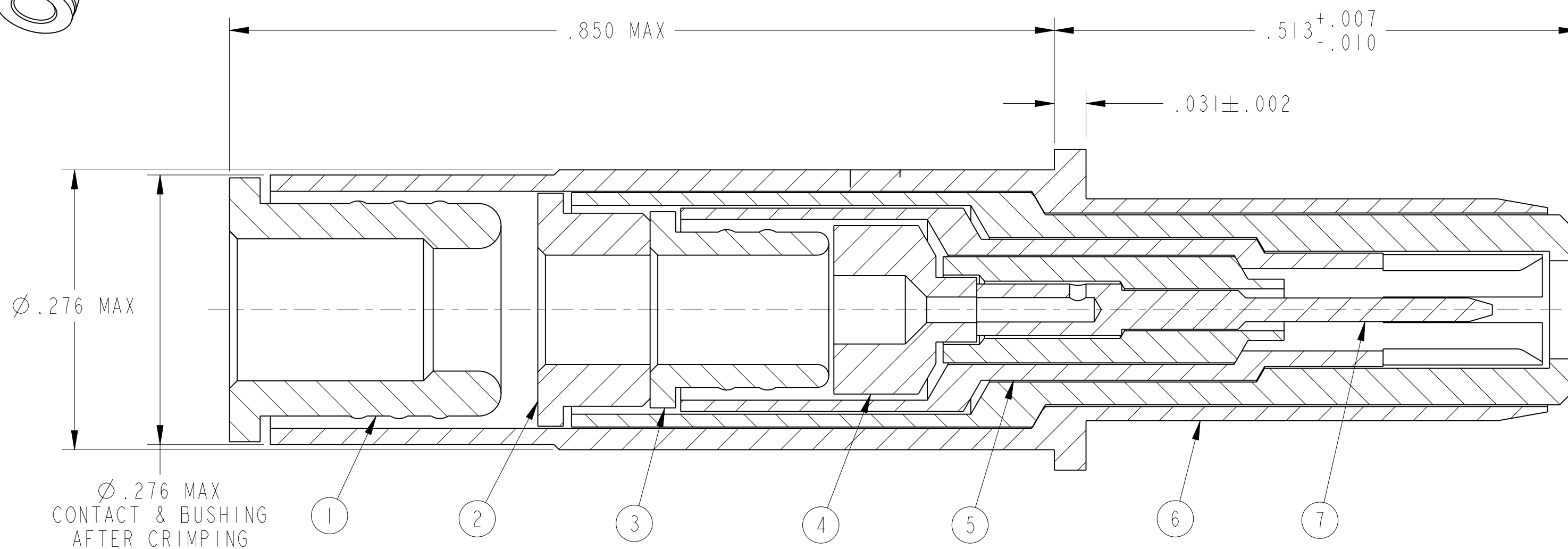
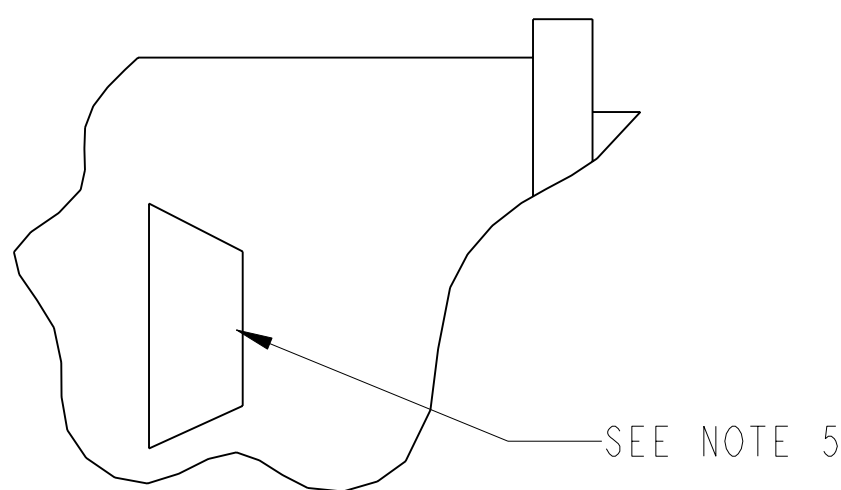
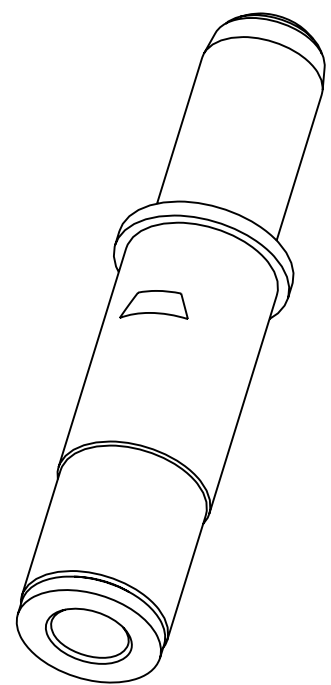


REV. A	SHEET 1 OF 1	DOCUMENT NO. 21-033198-014
REVISIONS		
LTR	DESCRIPTION	DATE
A	INITIAL RELEASE	



- 7. INDICATED ITEM IS NOT ILLUSTRATED.
- 6. PROCESS SPEC: 9-5272-29, 9-6700, 9-7530, 9-3856-5.
- 5. BLACK INK STAMP TRADEMARK 9-6700 TYPE IV PER 9-7530 OR 9-3856-5 ON OUTER CONTACT, IF NOT PREVIOUSLY STAMPED. TRADEMARK MAY BE SOLID AND DIRECTION IS OPTIONAL.
- 4. DRAWING ILLUSTRATES FINAL ASSEMBLY. COMPONENTS ARE SHIPPED UNASSEMBLED. COMPLETE INSTALLATION INSTRUCTIONS ARE PACKAGED WITH EACH ASSEMBLY. PACKAGE PER PRODUCTION PROCESS SHEET.
- 3. CONTACT TERMINATES CHEMINAX 7530A5314 TRIAX CABLE OR EQUIVALENT.
- 2. FINISH ON ALL METAL COMPONENTS: .000050 MIN GOLD, OVER NICKEL UNDERPLATE.
- 1. MATES WITH 21-33197-() TRIAX SOCKET CONTACTS & OTHERS.

NOTES:

THE USE OF THIS DOCUMENT IS UNLIMITED. HOWEVER, DOCUMENTS REFERENCED HEREON MAY CONTAIN LIMITED RIGHTS DATA.

N/A

NEXT ASSEMBLY

PRO/ENGINEER INFORMATION

Pro/e Model Used: 21-033198-014.ASSEM Drawing Name: 21-033198-014

UNLESS OTHERWISE SPECIFIED

LINEAR DIMENSIONS ARE IN INCHES TOLERANCES: .XXXX = ±.0005 ANGLES= ±2° .XXX = ±.010 .XX = ±.03 .X = ±.1

DIM. & TOL. PER ASME Y14.5M; DRM PER MIL-DTL-31000; OTHER Amphenol Stds. PER 9-3800 LEGENDS: =FLAG NOTE CALL OUT REFERENCE ONLY

SPECIFICATIONS

MATERIAL SPEC. N/A

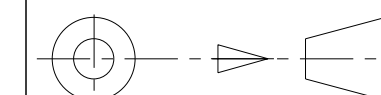
PROCESS SPEC.

SEE NOTE 6

POS	QTY	PART NUMBER	DESCRIPTION	NOTE
9	1	L-1254-W	INSTALLATION INSTRUCTIONS	4,7
8	1	21-033321-005	PIGGYBACK GROMMET SEAL	7
7	1	21-033344-055	INNER CONTACT	
6	1	21-033347-045	OUTER CONTACT	
5	1	21-033346-045	INTERMEDIATE CONTACT	
4	1	21-001381-108	INSULATOR	
3	1	21-033303-425	BUSHING	
2	1	21-001381-104	INSULATOR	
1	1	21-033303-865	BUSHING	

APPROVALS		DATE
PREPARED BY	RATCHFORD	
ENGINEER IN CHARGE	RATCHFORD	17-Feb-12
DESIGN MANAGER	SHEPLER	
DESIGN ACTIVITY GROUP	MIL-AERO	

THIRD ANGLE PROJECTION



PARTS LIST

AMPHENOL CORPORATION 40-60 DELAWARE AVENUE SIDNEY, NY 13858

CONTACT, PIN, TRIAXIAL, TYPE LJT-R & TV-R, SIZE 8

SIZE C	CAGE CODE 77820	DOCUMENT NO. 21-033198-014	REV. A
SCALE: 10.0	REF. 21-33198-3	SHEET 1 OF 1	