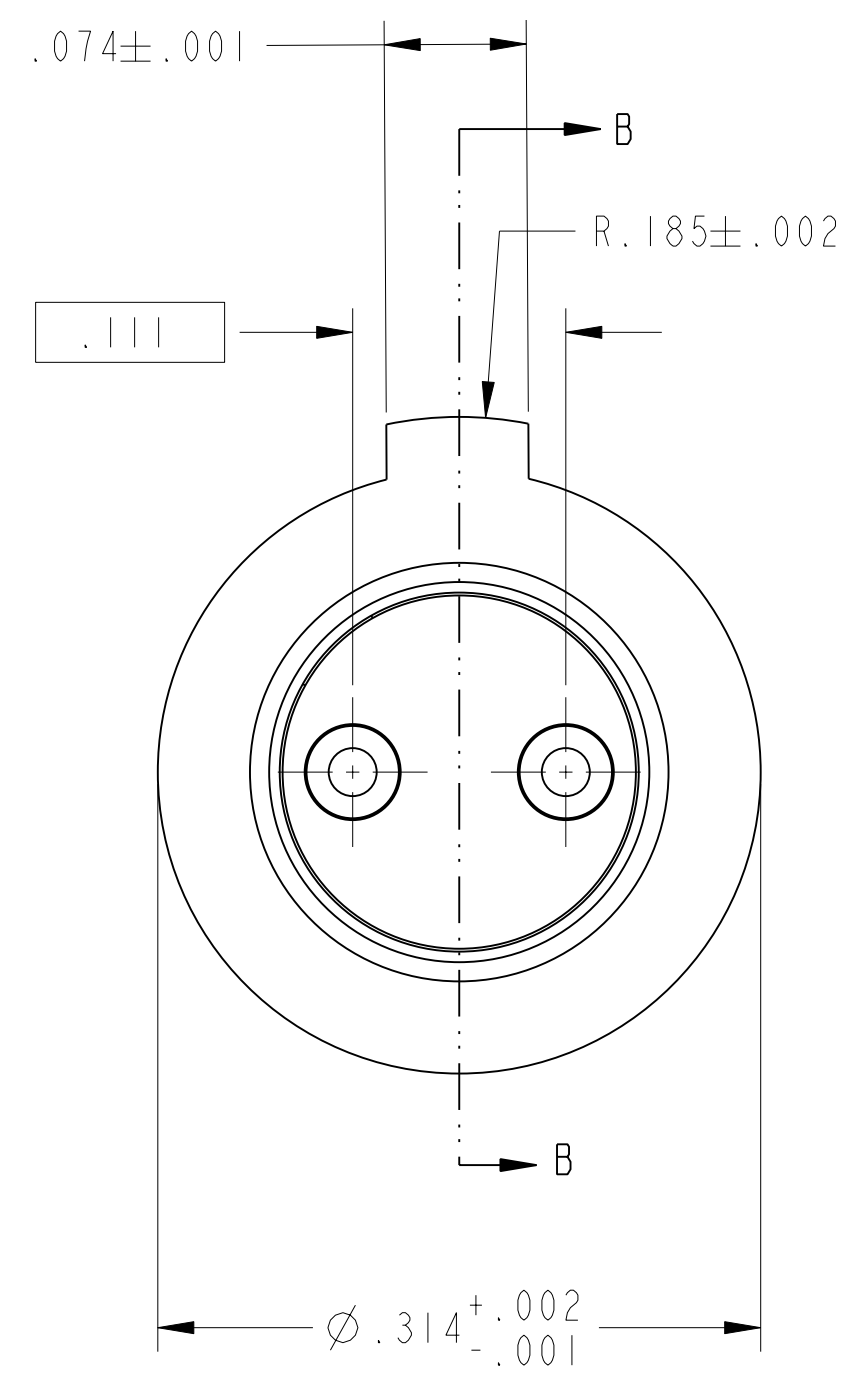
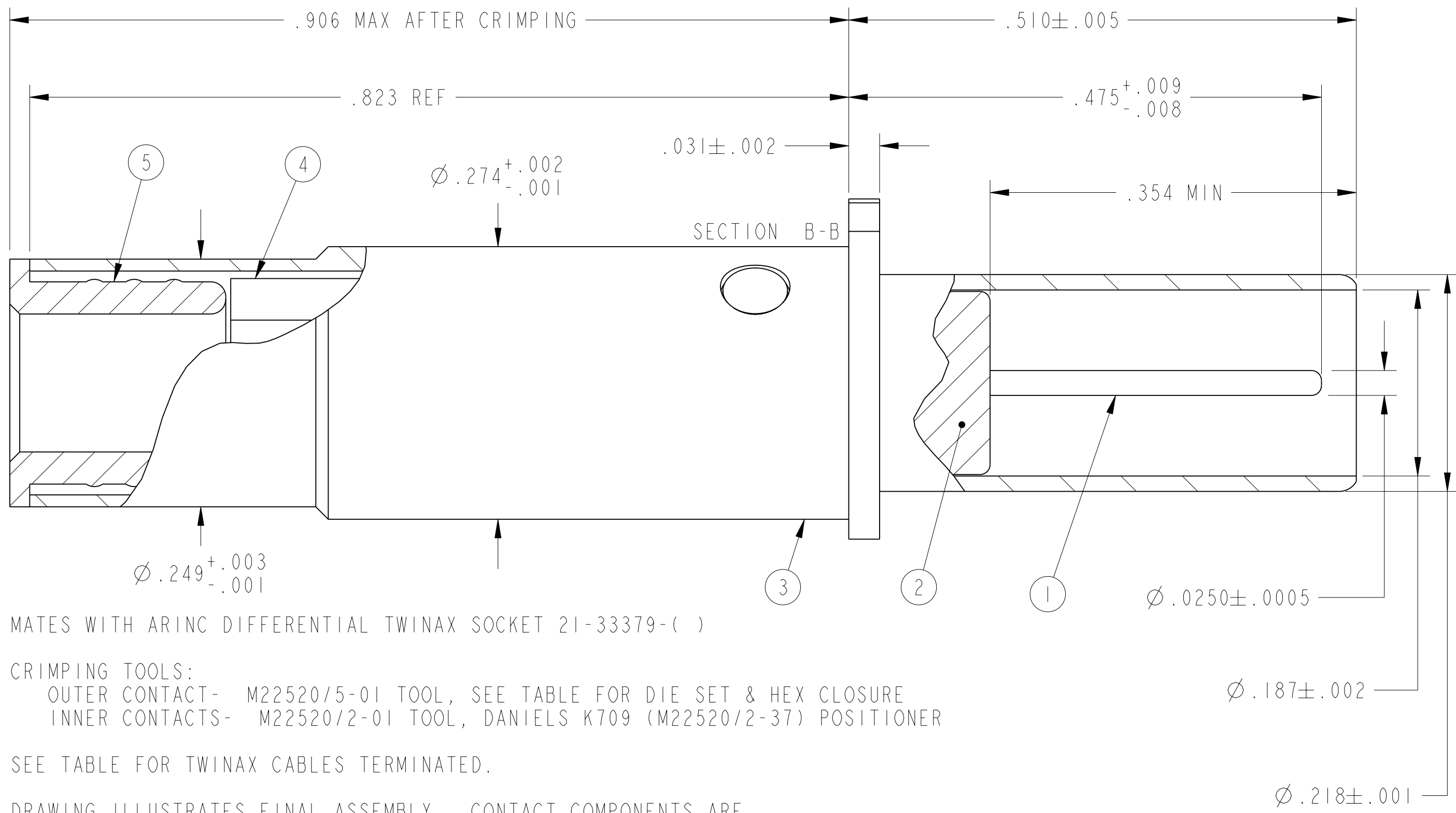


C		SHEET 1 OF 1		21-33378-()	
REVISIONS					
LTR	DESCRIPTION			DATE	
A	INITIAL RELEASE				
B	(CL II) MOD PARTS LIST ECN: 96326			JHEATH 5/6/05	
C	(CL II) SEE ENG CHG ECN: 97462-0000			E.PLACE 7/6/05	

PART NUMBER	CABLE TERMINATED	SHIELD FERRULE	DIE SET (HEX CLOSURE)
21-33378-21	ABS0386WF24	21-33378-26	M22520/5-45 (B)
21-33378-31	ASNE0272TK22	21-33378-136	M22520/5-05 (A)
21-33378-41	ASNE0272TK24	21-33378-146	M22520/5-05 (A)



7. MATES WITH ARINC DIFFERENTIAL TWINAX SOCKET 21-33379-()
6. CRIMPING TOOLS:
 OUTER CONTACT- M22520/5-01 TOOL, SEE TABLE FOR DIE SET & HEX CLOSURE
 INNER CONTACTS- M22520/2-01 TOOL, DANIELS K709 (M22520/2-37) POSITIONER
5. SEE TABLE FOR TWINAX CABLES TERMINATED.
4. DRAWING ILLUSTRATES FINAL ASSEMBLY. CONTACT COMPONENTS ARE SHIPPED UNASSEMBLED. INSTALLATION INSTRUCTIONS (NOT ILLUSTRATED) ARE PACKAGED WITH EACH ASSEMBLY. PACKAGE PER PRODUCTION PROCESS SHEET.
3. MATERIALS:
 OUTER & INNER CONTACTS- BERYLLIUM COPPER PER ASTM-B-196
 SHIELD FERRULE- BRASS PER ASTM B453 OR QQ-B-626
 FRONT INSULATOR & SPACER INSULATOR- TFE RESIN PER AMS 3651
2. FINISH:
 GOLD PLATED PER MIL-G-45204 TYPE II, GRADE C, CLASS I (.000050 MIN)
 OVER NICKEL PLATE PER QQ-N-290 (.000050 MIN).
1. CONTACTS MEET THE APPLICABLE REQUIREMENTS OF ABS0973

NOTES:

THE USE OF THIS DOCUMENT IS UNLIMITED. HOWEVER, DOCUMENTS REFERENCED HEREON MAY CONTAIN LIMITED RIGHTS DATA.

N/A
NEXT ASSEMBLY

PRO/ENGINEER INFORMATION
 Pro/e Model Used:
 21-033378-....ASSEM
 Drawing Name:
 21-033378-....

UNLESS OTHERWISE SPECIFIED
 SPECIFICATIONS
 MATERIAL SPEC. N/A
 PROCESS SPEC. N/A

LINEAR DIMENSIONS ARE IN INCHES
 TOLERANCES:
 .XXXX = ±.0005 ANGLES= ±2°
 .XXX = ±.010
 .XX = ±.03
 .X = ±.1

DIM. & TOL. PER ASME Y14.5M;
 DRM PER MIL-DTL-31000;
 OTHER Amphenol Stds. PER 9-3800

LEGENDS:
 =FLAG NOTE CALL OUT
 REFERENCE ONLY

POS	QTY	PART NUMBER	DESCRIPTION	NOTE
6	1	L-2119-G	INSTALLATION INSTRUCTIONS	4
5	1	SEE COLUMN	SHIELD FERRULE	
4	1	21-33382-5 OR 21-33382-25	SPACER INSULATOR	
3	1	21-33382-4	OUTER CONTACT	
2	1	21-33378-3	FRONT INSULATOR	
1	2	21-33382-2	INNER CONTACT	

APPROVALS		DATE
PREPARED BY	LRATCHFORD	04-Mar-03
ENGINEER IN CHARGE	LRATCHFORD	
DESIGN MANAGER	ADAVIS	
DESIGN ACTIVITY GROUP	MIL AERO	
THIRD ANGLE PROJECTION		

PARTS LIST			
AMPHENOL CORPORATION 40-60 DELAWARE AVENUE SIDNEY, N.Y. 13858			
CONTACT, PIN, DIFFERENTIAL TWINAX, TYPE ARINC SPECIAL			
SIZE C	CAGE CODE 77820	DOCUMENT NO. 21-33378-()	REV. C
SCALE: 10.0		REF. N/A	SHEET 1 OF 1

DOCUMENT NO. 21-33378-()

SHEET 1 OF 1

REV. C

RELEASE STATE Released

VERSION 0

REVISION C

RELEASE STATE Released

REV. C

SHEET 1 OF 1

DOCUMENT NO. 21-33378-()

REV. C

SHEET 1 OF 1

DOCUMENT NO. 21-33378-()

SHEET 1 OF 1

REV. C

RELEASE STATE Released

VERSION 0

REVISION C

RELEASE STATE Released

REV. C

SHEET 1 OF 1

DOCUMENT NO. 21-33378-()

REV. C

SHEET 1 OF 1