

REV. A	SHEET 1 OF 1	DOCUMENT NO. 21-033378-051
REVISIONS		
LTR	DESCRIPTION	DATE
A	INITIAL RELEASE	

21-033378-051

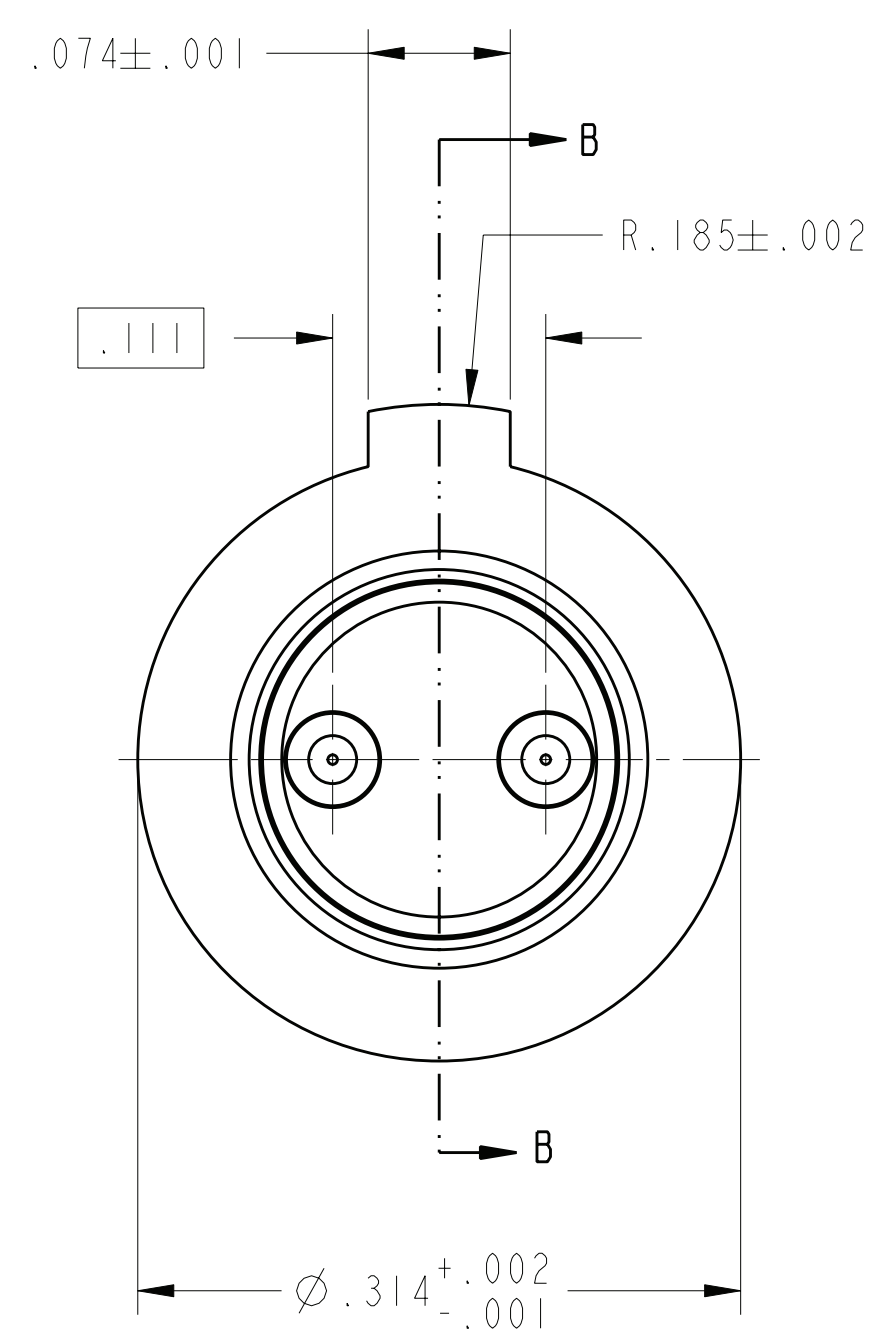
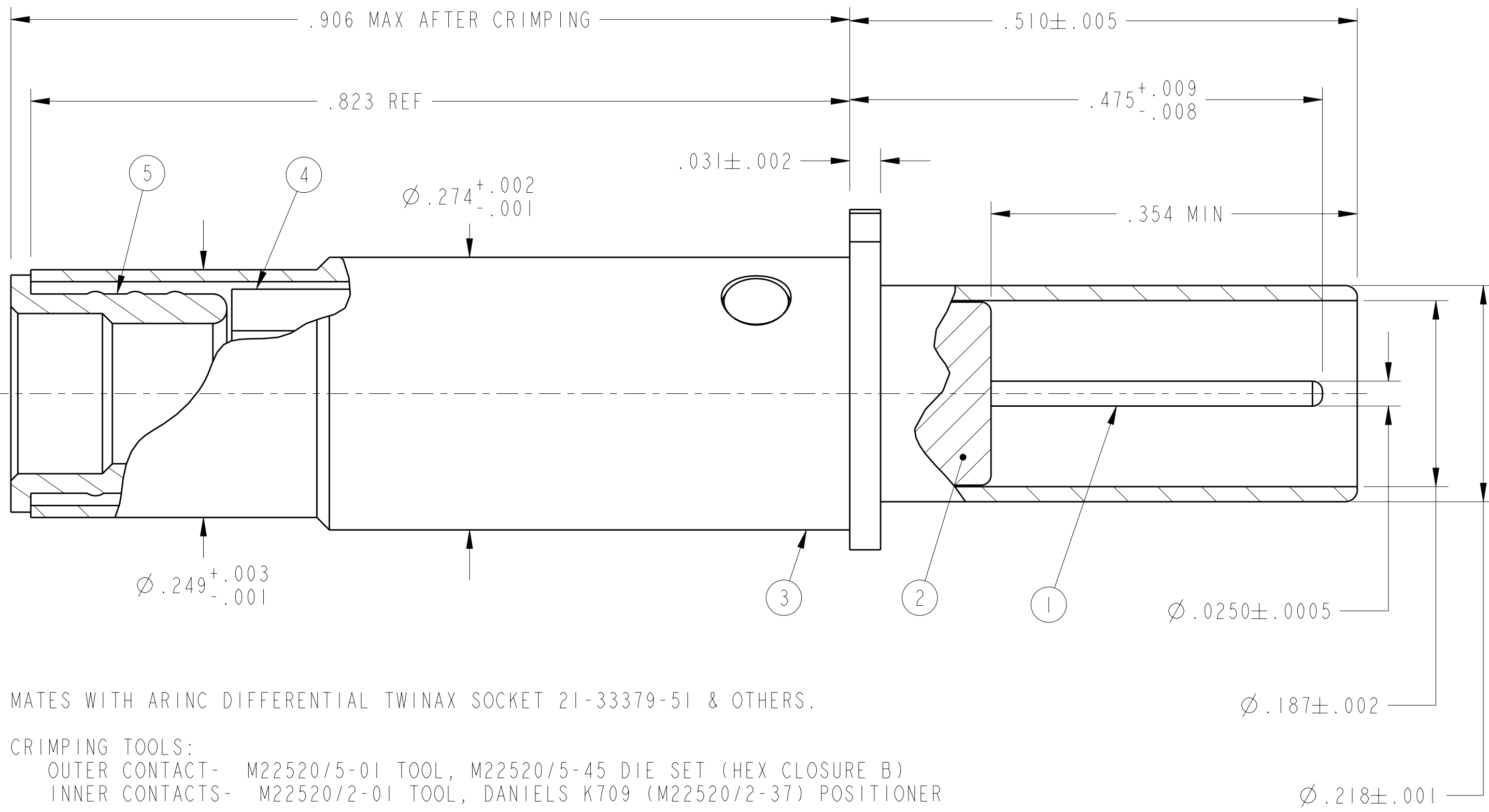
SHEET 1 OF 1

REV. A

C

B

A



- 7. MATES WITH ARINC DIFFERENTIAL TWINAX SOCKET 21-33379-51 & OTHERS.
- 6. CRIMPING TOOLS:
 OUTER CONTACT- M22520/5-01 TOOL, M22520/5-45 DIE SET (HEX CLOSURE B)
 INNER CONTACTS- M22520/2-01 TOOL, DANIELS K709 (M22520/2-37) POSITIONER
- 5. TERMINATES TWINAX CABLE TENSOLITE 24463/9P025X-2(LD).
- 4. DRAWING ILLUSTRATES FINAL ASSEMBLY. CONTACT COMPONENTS ARE SHIPPED UNASSEMBLED. INSTALLATION INSTRUCTIONS (NOT ILLUSTRATED) ARE PACKAGED WITH EACH ASSEMBLY. PACKAGE PER PRODUCTION PROCESS SHEET.
- 3. MATERIALS:
 OUTER & INNER CONTACTS- BERYLLIUM COPPER PER ASTM-B-196
 SHIELD FERRULE- BRASS PER ASTM B453 OR QQ-B-626
 FRONT INSULATOR & SPACER INSULATOR- TFE RESIN PER AMS 3651 OR EQUIVALENT
- 2. FINISH:
 GOLD PLATED PER MIL-G-45204 TYPE II, GRADE C, CLASS I (.000050 MIN)
 OVER NICKEL PLATE PER QQ-N-290 (.000050 MIN).
- 1. CONTACTS MEET THE APPLICABLE REQUIREMENTS OF ABS0973

NOTES:

THE USE OF THIS DOCUMENT IS UNLIMITED. HOWEVER, DOCUMENTS REFERENCED HEREON MAY CONTAIN LIMITED RIGHTS DATA.

N/A NEXT ASSEMBLY

PRO/ENGINEER INFORMATION
 Pro/e Model Used:
 21-033378-051.ASSEM
 Drawing Name:
 21-033378-051

UNLESS OTHERWISE SPECIFIED
 LINEAR DIMENSIONS ARE IN INCHES
 TOLERANCES:
 .XXXX = ±.0005 ANGLES= ±2°
 .XXX = ±.010
 .XX = ±.03
 .X = ±.1

DIM. & TOL. PER ASME Y14.5M;
 DRM PER MIL-DTL-31000;
 OTHER Amphenol Stds. PER 9-3800

LEGENDS:
 =FLAG NOTE CALL OUT REFERENCE ONLY

SPECIFICATIONS
 MATERIAL SPEC.
 N/A

PROCESS SPEC.
 N/A

POS	QTY	PART NUMBER	DESCRIPTION	NOTE
6	1	L-2119-DG	INSTALLATION INSTRUCTIONS	4
5	1	21-033378-066	SHIELD FERRULE	
4	1	21-033382-005 OR 21-033382-025	SPACER INSULATOR	
3	1	21-033382-004	OUTER CONTACT	
2	1	21-033378-003	FRONT INSULATOR	
1	2	21-033382-002	INNER CONTACT	

APPROVALS	DATE
PREPARED BY RATCHFORD	
ENGINEER IN CHARGE RATCHFORD	28-Feb-11
DESIGN MANAGER SHEPLER	
DESIGN ACTIVITY GROUP MIL AERO	

AMPHENOL CORPORATION
 40-60 DELAWARE AVENUE
 SIDNEY, N.Y. 13858

**CONTACT, PIN,
 DIFFERENTIAL TWINAX,
 TYPE ARINC SPECIAL**

SIZE C CAGE CODE 77820 DOCUMENT NO. 21-033378-051 REV. A
 SCALE: 10:0 REF. 21-33378-61 SHEET 1 OF 1

REV. A

SHEET 1 OF 1

21-033378-051