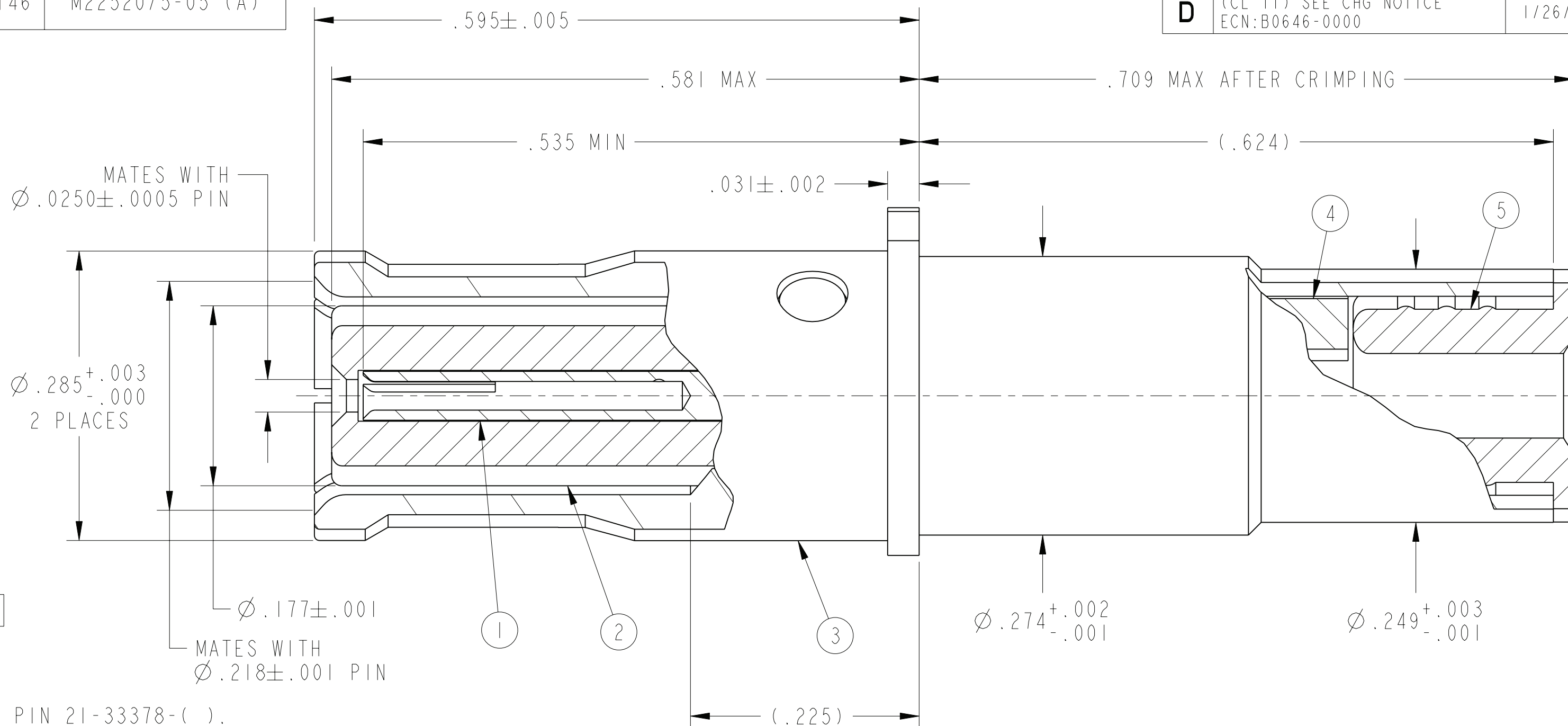
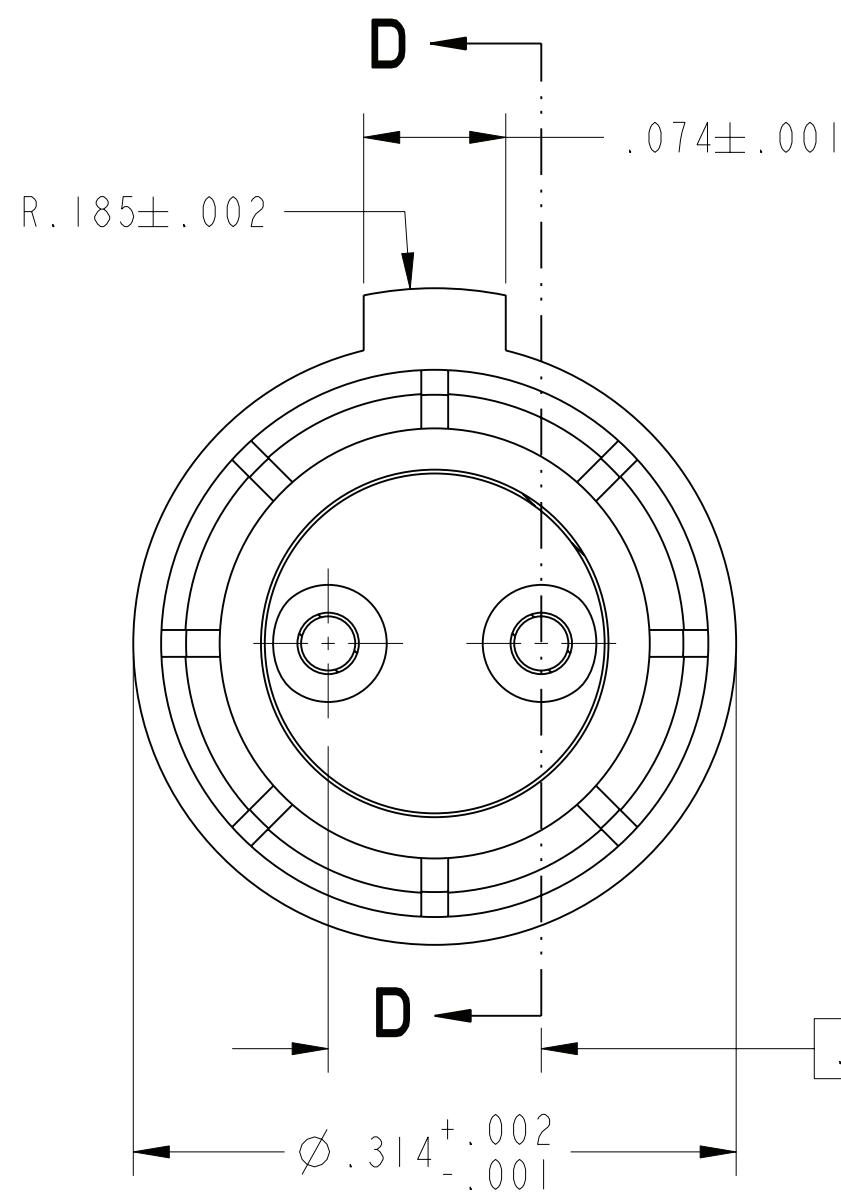


| | | | | | |
|-----------|---|--------------|--|-------------------|--|
| D | | SHEET 1 OF 1 | | 21-33379-() | |
| REVISIONS | | | | | |
| LTR | DESCRIPTION | | | DATE | |
| A | INITIAL RELEASE | | | | |
| B | (CL 11) MOD PARTS LIST ECN: 96326 | | | JHEATH 5/6/05 | |
| C | (CL 11) SEE ENG CHG ECN: 97463-0000 | | | E.PLACE 7/6/05 | |
| D | (CL 11) SEE CHG NOTICE ECN: B0646-0000 | | | 1/26/11 | |

| PART NUMBER | CABLE TERMINATED | SHIELD FERRULE | DIE SET (HEX CLOSURE) |
|---------------|------------------|----------------|-----------------------|
| 21-033379-021 | ABS0386WF24 | 21-033378-026 | M22520/5-45 (B) |
| 21-033379-031 | ASNE0272TK22 | 21-033378-136 | M22520/5-05 (A) |
| 21-033379-041 | ASNE0272TK24 | 21-033378-146 | M22520/5-05 (A) |



SECTION D-D

- 7. MATES WITH ARINC DIFFERENTIAL TWINAX PIN 21-33378-().
- 6. CRIMPING TOOLS:
 OUTER CONTACT- M22520/5-01 TOOL, SEE TABLE FOR DIE SET & HEX CLOSURE
 INNER CONTACTS- M22520/2-01 TOOL, DANIELS K709 (M22520/2-37) POSITIONER

- 5. SEE TABLE FOR TWINAX CABLES TERMINATED.
- 4. DRAWING ILLUSTRATES FINAL ASSEMBLY. CONTACT COMPONENTS ARE SHIPPED UNASSEMBLED. INSTALLATION INSTRUCTIONS (NOT ILLUSTRATED) ARE PACKAGED WITH EACH ASSEMBLY. PACKAGE PER PRODUCTION PROCESS SHEET.

- 3. MATERIALS:
 OUTER & INNER CONTACTS- BERYLLIUM COPPER PER ASTM-B-196
 SHIELD FERRULE- BRASS PER ASTM B453 OR QQ-B-626
 FRONT INSULATOR & SPACER INSULATOR- TFE RESIN PER AMS 3651

- 2. FINISH:
 GOLD PLATED PER MIL-G-45204 TYPE II, GRADE C, CLASS I (.000050 MIN)
 OVER NICKEL PLATE PER QQ-N-290 (.000050 MIN).

- 1. CONTACTS MEET THE APPLICABLE REQUIREMENTS OF ABS0974.

NOTES:

THE USE OF THIS DOCUMENT IS UNLIMITED. HOWEVER, DOCUMENTS REFERENCED HEREON MAY CONTAIN LIMITED RIGHTS DATA.

N/A
NEXT ASSEMBLY

PRO/ENGINEER INFORMATION
 Pro/e Model Used:
 21-033379-XXX.ASSEM
 Drawing Name:
 21-33379

UNLESS OTHERWISE SPECIFIED
 SPECIFICATIONS
 LINEAR DIMENSIONS ARE IN INCHES
 TOLERANCES:
 .XXXX = ±.0005 ANGLES= ±2°
 .XXX = ±.010
 .XX = ±.03
 .X = ±.1
 DIM. & TOL. PER ASME Y14.5M;
 DRM PER MIL-DTL-31000;
 OTHER Amphenol Stds. PER 9-3800
 LEGENDS:
 =FLAG NOTE CALL OUT
 REFERENCE ONLY

MATERIAL SPEC.
 N/A
 PROCESS SPEC.
 N/A

| POS | QTY | PART NUMBER | DESCRIPTION | NOTE |
|-----|-----|--------------------------------------|---------------------------|------|
| 6 | 1 | L-2119-G | INSTALLATION INSTRUCTIONS | 4 |
| 5 | 1 | SEE COLUMN | SHIELD FERRULE | |
| 4 | 1 | 21-033382-005 OR 21-033382-025 | SPACER INSULATOR | |
| 3 | 1 | 21-033383-004 | OUTER CONTACT | |
| 2 | 1 | 21-033379-003 | FRONT INSULATOR | |
| 1 | 2 | 21-033383-002 | INNER CONTACT | |

| APPROVALS | | DATE |
|-----------------------|------------|-----------|
| PREPARED BY | LRATCHFORD | |
| ENGINEER IN CHARGE | LRATCHFORD | 05-Mar-03 |
| DESIGN MANAGER | ADAVIS | |
| DESIGN ACTIVITY GROUP | MIL AERO | |

PARTS LIST

AMPHENOL CORPORATION
 40-60 DELAWARE AVENUE
 SIDNEY, N.Y. 13858

**CONTACT, SOCKET,
 DIFFERENTIAL TWINAX,
 TYPE ARINC SPECIAL**

| | | | |
|------------------|---------------------------|-------------------------------------|------------------|
| SIZE C | CAGE CODE 77820 | DOCUMENT NO. 21-33379-() | REV. D |
| SCALE: 10.0 | | REF. N/A | SHEET 1 OF 1 |

21-33379-()

SHEET 1 OF 1

REV. D

C

B

A

FORMAT: C-U-E-I

RELEASE STATE Released

REVISION D

SHEET 1 OF 1

DOCUMENT NO. 21-33379-()