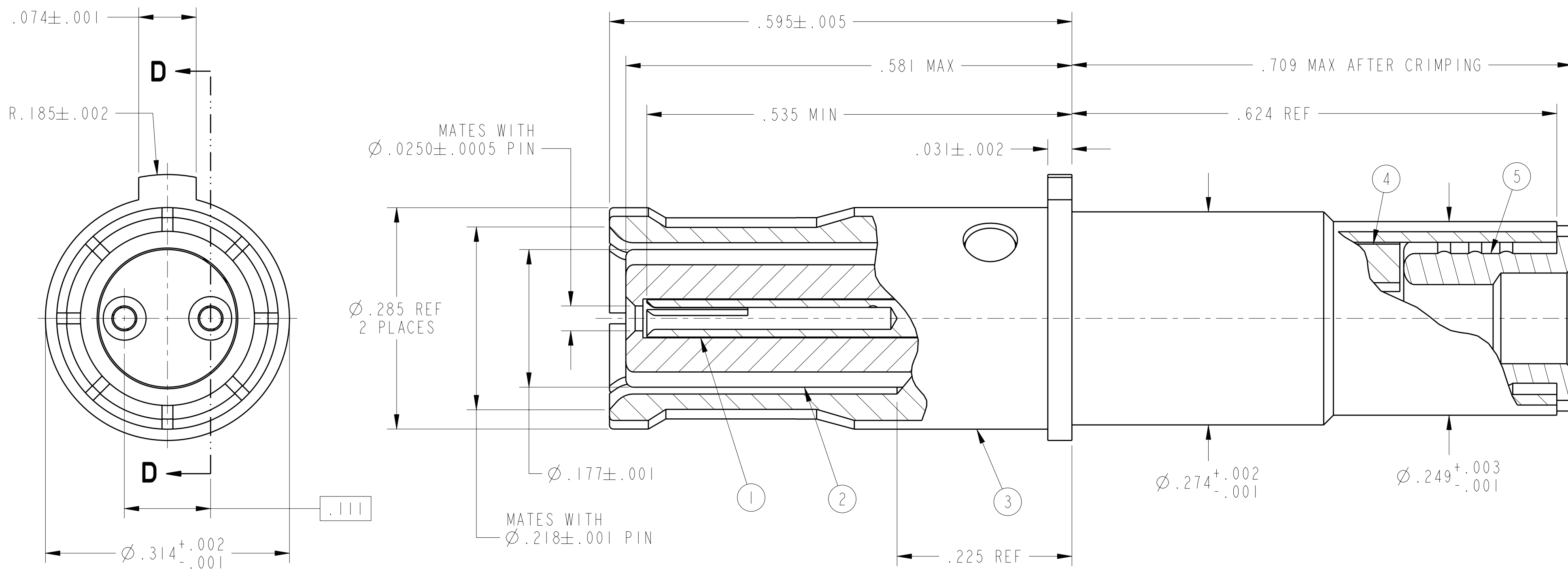


REVISIONS		
LTR	DESCRIPTION	DATE
A	INITIAL RELEASE	



7. MATES WITH ARINC DIFFERENTIAL TWINAX PIN 21-33378-51 & OTHERS.
6. CRIMPING TOOLS:
 OUTER CONTACT- M22520/5-01 TOOL, M22520/5-45 DIE SET (HEX CLOSURE B)
 INNER CONTACTS- M22520/2-01 TOOL, DANIELS K709 (M22520/2-37) POSITIONER
5. TERMINATES TWINAX CABLE TENSOLITE 24463/9P025X-2(LD).
4. DRAWING ILLUSTRATES FINAL ASSEMBLY. CONTACT COMPONENTS ARE SHIPPED UNASSEMBLED. INSTALLATION INSTRUCTIONS (NOT ILLUSTRATED) ARE PACKAGED WITH EACH ASSEMBLY. PACKAGE PER PRODUCTION PROCESS SHEET.
3. MATERIALS:
 OUTER & INNER CONTACTS- BERYLLIUM COPPER PER ASTM-B-196
 SHIELD FERRULE- BRASS PER ASTM B453 OR QQ-B-626
 FRONT INSULATOR & SPACER INSULATOR- TFE RESIN PER AMS 3651 OR EQUIVALENT.
2. FINISH:
 GOLD PLATED PER MIL-G-45204 TYPE II, GRADE C, CLASS I (.000050 MIN)
 OVER NICKEL PLATE PER QQ-N-290 (.000050 MIN).
1. CONTACTS MEET THE APPLICABLE REQUIREMENTS OF ABS0974.

NOTES:

THE USE OF THIS DOCUMENT IS UNLIMITED. HOWEVER, DOCUMENTS REFERENCED HEREON MAY CONTAIN LIMITED RIGHTS DATA.

N/A

NEXT ASSEMBLY

PRO/ENGINEER INFORMATION

Pro/e Model Used:
21-033379-051.ASSEM
Drawing Name:
21-033379-051

UNLESS OTHERWISE SPECIFIED

LINEAR DIMENSIONS ARE IN INCHES
TOLERANCES:
.XXXX = ±.0005 ANGLES= ±2°
.XXX = ±.010
.XX = ±.03
.X = ±.1

DIM. & TOL. PER ASME Y14.5M;
DRM PER MIL-DTL-31000;
OTHER Amphenol Stds. PER 9-3800
LEGENDS:
= FLAG NOTE CALL OUT REFERENCE ONLY

SPECIFICATIONS

MATERIAL SPEC.

N/A

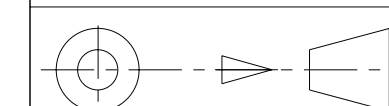
PROCESS SPEC.

N/A

POS	QTY	PART NUMBER	DESCRIPTION	NOTE
6	1	L-2119-DG	INSTALLATION INSTRUCTIONS	4
5	1	21-033378-066	SHIELD FERRULE	
4	1	21-033382-005 OR 21-033382-025	SPACER INSULATOR	
3	1	21-033383-004	OUTER CONTACT	
2	1	21-033379-003	FRONT INSULATOR	
1	2	21-033383-002	INNER CONTACT	

APPROVALS		DATE
PREPARED BY	LRATCHFORD	28-Feb-11
ENGINEER IN CHARGE	LRATCHFORD	
DESIGN MANAGER	SHEPLER	
DESIGN ACTIVITY GROUP	MIL AERO	

THIRD ANGLE PROJECTION



PARTS LIST

AMPHENOL CORPORATION
 40-60 DELAWARE AVENUE
 SIDNEY, N.Y. 13858

**CONTACT, SOCKET,
 DIFFERENTIAL TWINAX,
 TYPE ARINC SPECIAL**

SIZE C	CAGE CODE 77820	DOCUMENT NO. 21-033379-051	REV. A
SCALE: 10.0		REF. 21-33379-61	SHEET 1 OF 1

21-033379-051

SHEET 1 OF 1

REV. A

C

B

A

FORMAT: C-U-E-I

VERSION II

REVISION A

RELEASE STATE WIP

REV. A

SHEET 1 OF 1

21-033379-051