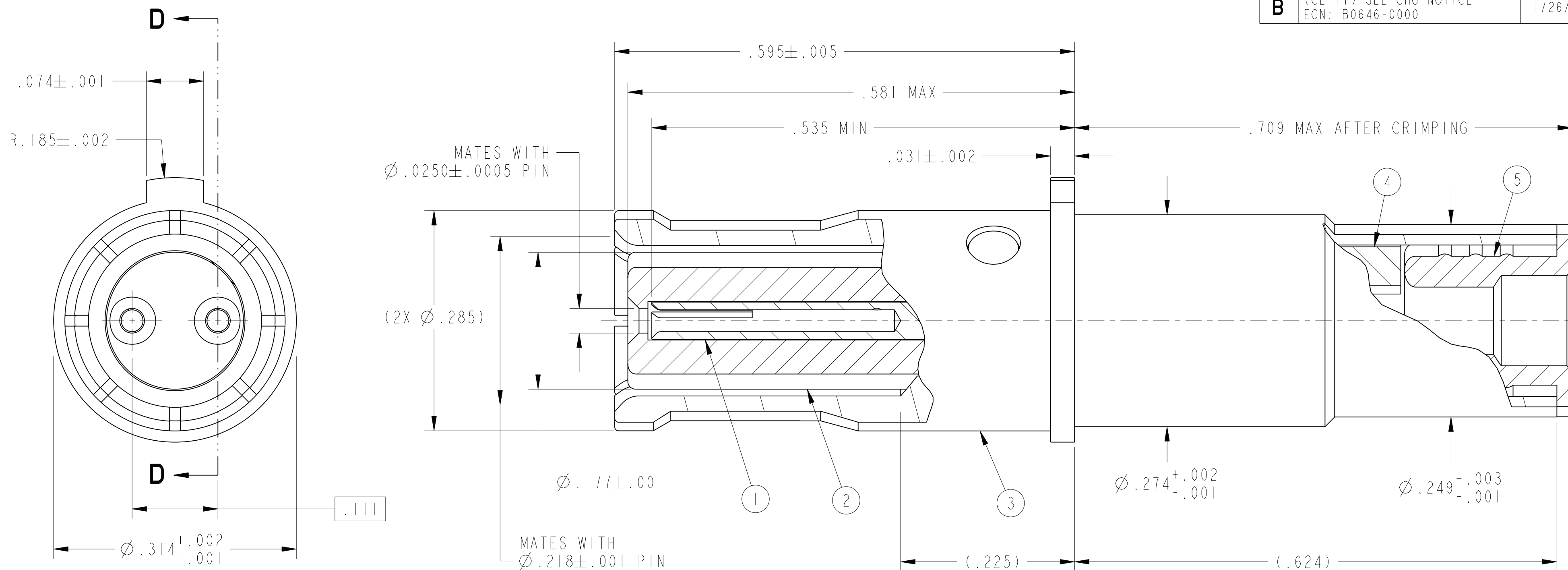


REV. B	SHEET 1 OF 1	21-033379-061
REVISIONS		
LTR	DESCRIPTION	DATE
A	INITIAL RELEASE	8/4/05
B	(CL 11) SEE CHG NOTICE ECN: B0646-0000	1/26/11



SECTION D-D

7. MATES WITH ARINC DIFFERENTIAL TWINAX PIN 21-33378-61.
6. CRIMPING TOOLS:
 OUTER CONTACT- M22520/5-01 TOOL, M22520/5-45 DIE SET (HEX CLOSURE B)
 INNER CONTACTS- M22520/2-01 TOOL, DANIELS K709 (M22520/2-37) POSITIONER
5. TERMINATES TWINAX CABLE GC875TM24H (77 OHMS).
4. DRAWING ILLUSTRATES FINAL ASSEMBLY. CONTACT COMPONENTS ARE SHIPPED UNASSEMBLED. INSTALLATION INSTRUCTIONS (NOT ILLUSTRATED) ARE PACKAGED WITH EACH ASSEMBLY. PACKAGE PER PRODUCTION PROCESS SHEET.
3. MATERIALS:
 OUTER & INNER CONTACTS- BERYLLIUM COPPER PER ASTM-B-196
 SHIELD FERRULE- BRASS PER ASTM B453 OR QQ-B-626
 FRONT INSULATOR & SPACER INSULATOR- TFE RESIN PER AMS 3651
2. FINISH:
 GOLD PLATED PER MIL-G-45204 TYPE II, GRADE C, CLASS I (.000050 MIN)
 OVER NICKEL PLATE PER QQ-N-290 (.000050 MIN).
1. CONTACTS MEET THE APPLICABLE REQUIREMENTS OF ABS0974.

NOTES:

THE USE OF THIS DOCUMENT IS UNLIMITED. HOWEVER, DOCUMENTS REFERENCED HEREON MAY CONTAIN LIMITED RIGHTS DATA.

PRO/ENGINEER INFORMATION
 Pro/e Model Used:
 21-033379-061.ASSEM
 Drawing Name:
 21-033379-061

N/A

NEXT ASSEMBLY

UNLESS OTHERWISE SPECIFIED	SPECIFICATIONS
LINEAR DIMENSIONS ARE IN INCHES TOLERANCES: .XXXX = ±.0005 ANGLES= ±2° .XXX = ±.010 .XX = ±.03 .X = ±.1	MATERIAL SPEC. N/A
DIM. & TOL. PER ASME Y14.5M; DRM PER MIL-DTL-31000; OTHER Amphenol Stds. PER 9-3800	PROCESS SPEC. N/A
LEGENDS: =FLAG NOTE CALL OUT REFERENCE ONLY	

POS	QTY	PART NUMBER	DESCRIPTION	NOTE
6	1	L-2119-AU	INSTALLATION INSTRUCTIONS	4
5	1	21-033378-066	SHIELD FERRULE	
4	1	21-033382-005 OR 21-033382-025	SPACER INSULATOR	
3	1	21-033383-004	OUTER CONTACT	
2	1	21-033379-003	FRONT INSULATOR	
1	2	21-033383-002	INNER CONTACT	

APPROVALS

PREPARED BY	LRATCHFORD	DATE	25-Jul-05
ENGINEER IN CHARGE	LRATCHFORD		
DESIGN MANAGER	ADAVIS		
DESIGN ACTIVITY GROUP	MIL AERO		

THIRD ANGLE PROJECTION

PARTS LIST

AMPHENOL CORPORATION
 40-60 DELAWARE AVENUE
 SIDNEY, N.Y. 13858

**CONTACT, SOCKET,
 DIFFERENTIAL TWINAX,
 TYPE ARINC SPECIAL**

SIZE	CAGE CODE	DOCUMENT NO.	REV.
C	77820	21-033379-061	B

SCALE: 10:0 REF 21-33379-() SHEET 1 OF 1

DOCUMENT NO. 21-033379-061
 SHEET 1 OF 1
 REV. B
 C
 B
 A
 RELEASE STATE Released
 VERSION I
 REV. B
 SHEET 1 OF 1
 DOCUMENT NO. 21-033379-061