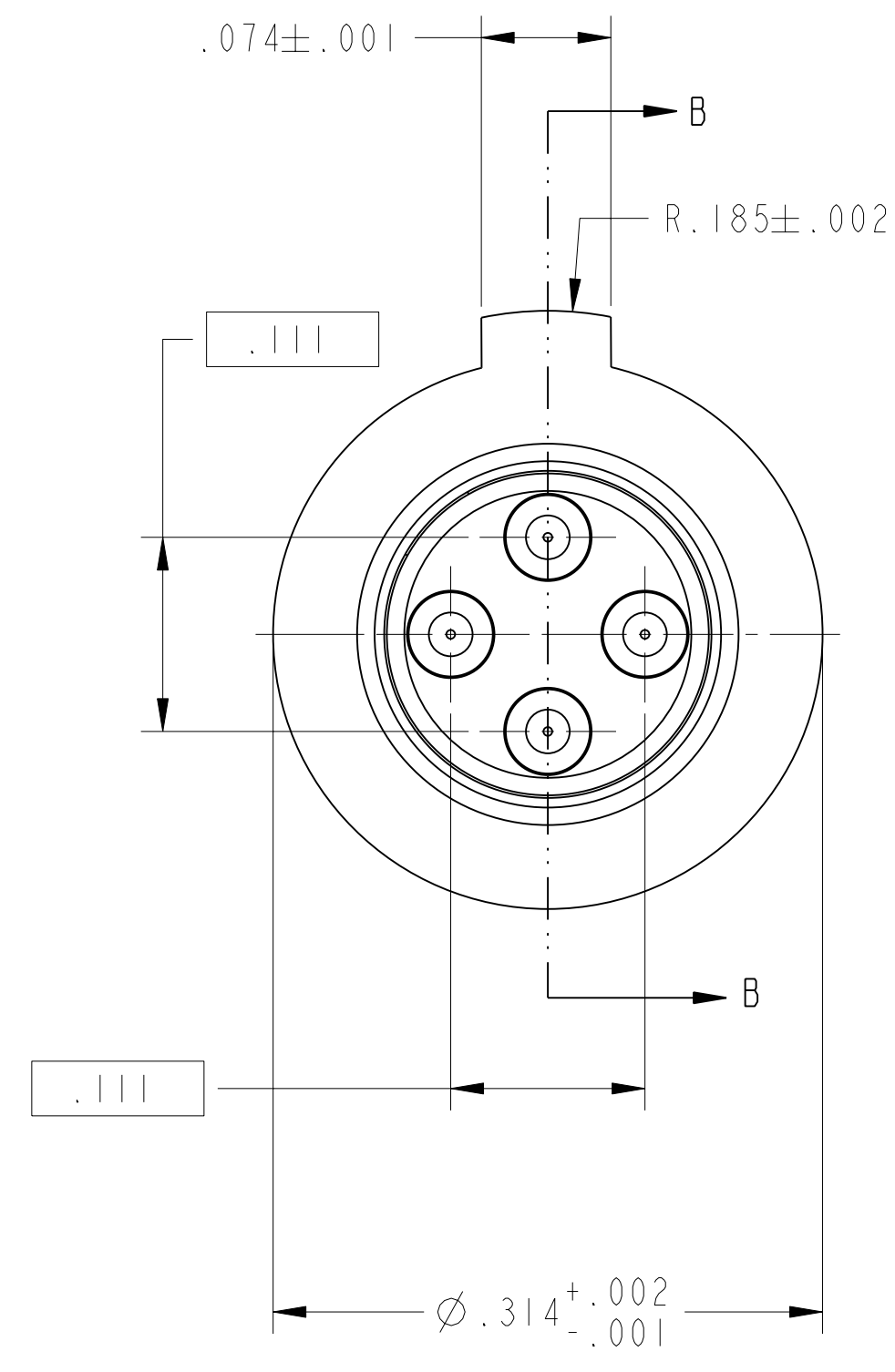
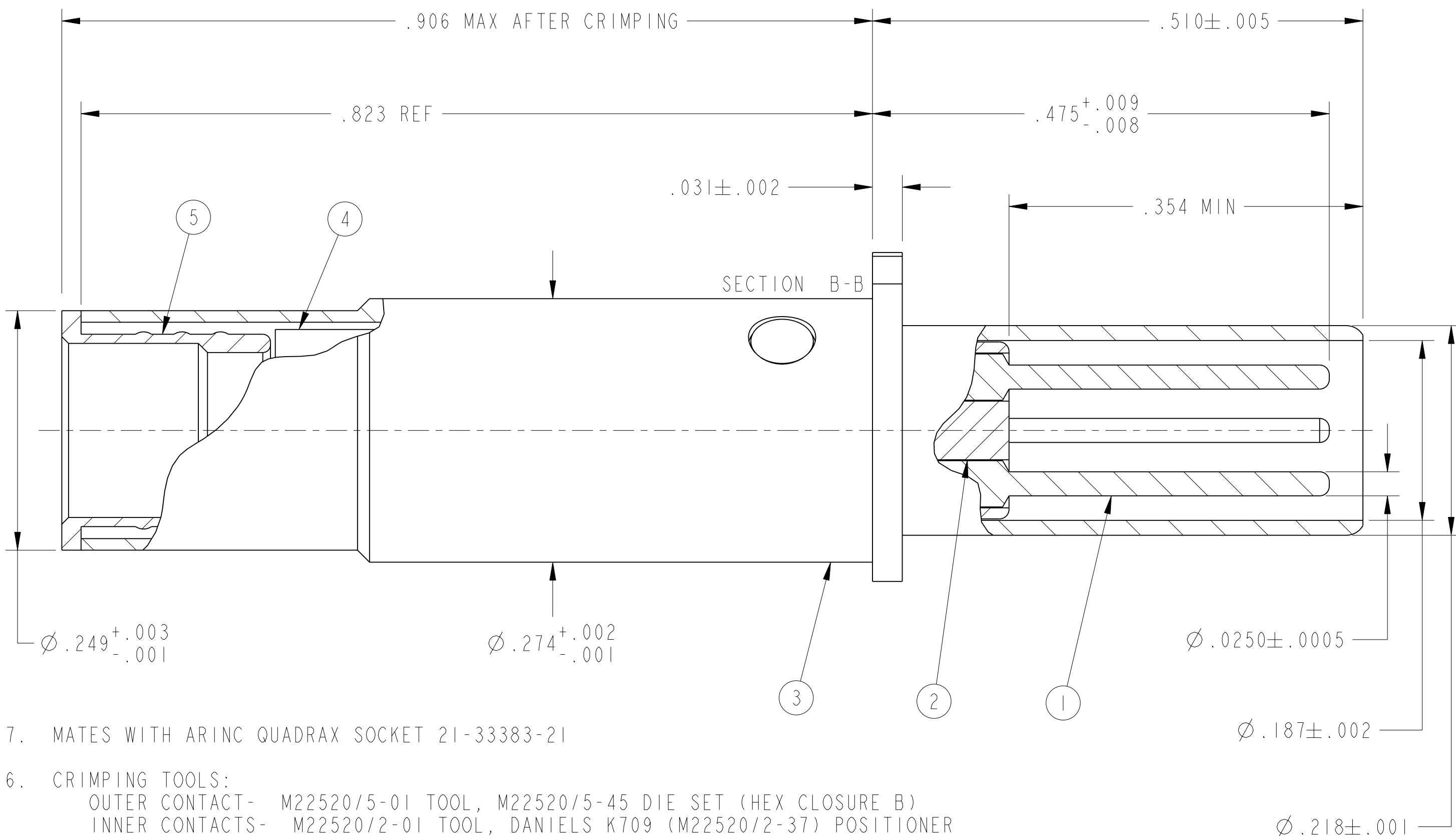


REV. B		SHEET 1 OF 1		DOCUMENT NO. 21-33382-21	
REVISIONS					
LTR	DESCRIPTION			DATE	
A	INITIAL RELEASE				
B	(CL11) MOD PARTS LIST ECN: 96326			JHEATH 5/6/05	



7. MATES WITH ARINC QUADRAX SOCKET 21-33383-21
6. CRIMPING TOOLS:
 OUTER CONTACT- M22520/5-01 TOOL, M22520/5-45 DIE SET (HEX CLOSURE B)
 INNER CONTACTS- M22520/2-01 TOOL, DANIELS K709 (M22520/2-37) POSITIONER
5. TERMINATES QUADRAX CABLE TENSOLITE NF24Q100
4. DRAWING ILLUSTRATES FINAL ASSEMBLY. CONTACT COMPONENTS ARE SHIPPED UNASSEMBLED. INSTALLATION INSTRUCTIONS (NOT ILLUSTRATED) ARE PACKAGED WITH EACH ASSEMBLY. PACKAGE PER PRODUCTION PROCESS SHEET.
3. MATERIALS:
 OUTER & INNER CONTACTS- BERYLLIUM COPPER PER ASTM-B-196
 SHIELD FERRULE- BRASS PER ASTM B453 OR QQ-B-626
 FRONT INSULATOR & SPACER INSULATOR- TFE RESIN PER AMS 3651
2. FINISH:
 GOLD PLATED PER MIL-G-45204 TYPE II, GRADE C, CLASS I (.000050 MIN)
 OVER NICKEL PLATE PER QQ-N-290 (.000050 MIN).
1. CONTACTS MEET THE APPLICABLE REQUIREMENTS OF ABS0973.

NOTES:

THE USE OF THIS DOCUMENT IS UNLIMITED. HOWEVER, DOCUMENTS REFERENCED HEREON MAY CONTAIN LIMITED RIGHTS DATA.

N/A	PRO/ENGINEER INFORMATION
N/A	Pro/e Model Used: QUAD_ARINC_BP_ASY_ASSEM
N/A	Drawing Name: 21-33382-21_BP_ARINC_QUAD_ASY
N/A	NEXT ASSEMBLY

UNLESS OTHERWISE SPECIFIED

LINEAR DIMENSIONS ARE IN INCHES
 TOLERANCES:
 .XXXX = ±.0005 ANGLES= ±2°
 .XXX = ±.010
 .XX = ±.03
 .X = ±.1

DIM. & TOL. PER ASME Y14.5M;
 DRM PER MIL-DTL-31000;
 OTHER Amphenol Sds. PER 9-3800

LEGENDS:
 = FLAG NOTE CALL OUT
 REFERENCE ONLY

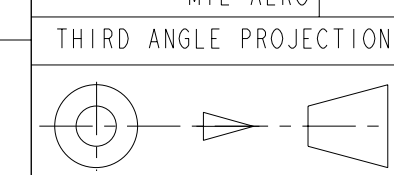
SPECIFICATIONS

MATERIAL SPEC.
N/A

PROCESS SPEC.
N/A

POS	QTY	PART NUMBER	DESCRIPTION	NOTE
6	1	L-2119-AH	INSTALLATION INSTRUCTIONS	4
5	1	21-33382-36	SHIELD FERRULE	
4	1	21-33382-5 OR 21-33382-25	SPACER INSULATOR	
3	1	21-33382-4	OUTER CONTACT	
2	1	21-33382-3	FRONT INSULATOR	
1	4	21-33382-2	INNER CONTACT	

APPROVALS		DATE
PREPARED BY	LRATCHFORD	
ENGINEER IN CHARGE	LRATCHFORD	05-Mar-03
DESIGN MANAGER	ADAVIS	
DESIGN ACTIVITY GROUP	MIL AERO	



PARTS LIST

AMPHENOL CORPORATION
 40-60 DELAWARE AVENUE
 SIDNEY, N.Y. 13838

**CONTACT, PIN, QUADRAX,
 ELECTRICAL CONNECTOR,
 TYPE ARINC AIRBUS SPECIAL**

SIZE C	CAGE CODE 77820	DOCUMENT NO. 21-33382-21	REV. B
------------------	---------------------------	------------------------------------	------------------

SCALE: 10.0 REF: 21-33382-31 SHEET 1 OF 1

21-33382-21

SHEET 1 OF 1

REV. B

C

B

A

SHEET 1 OF 1

21-33382-21

A

U

REV. B