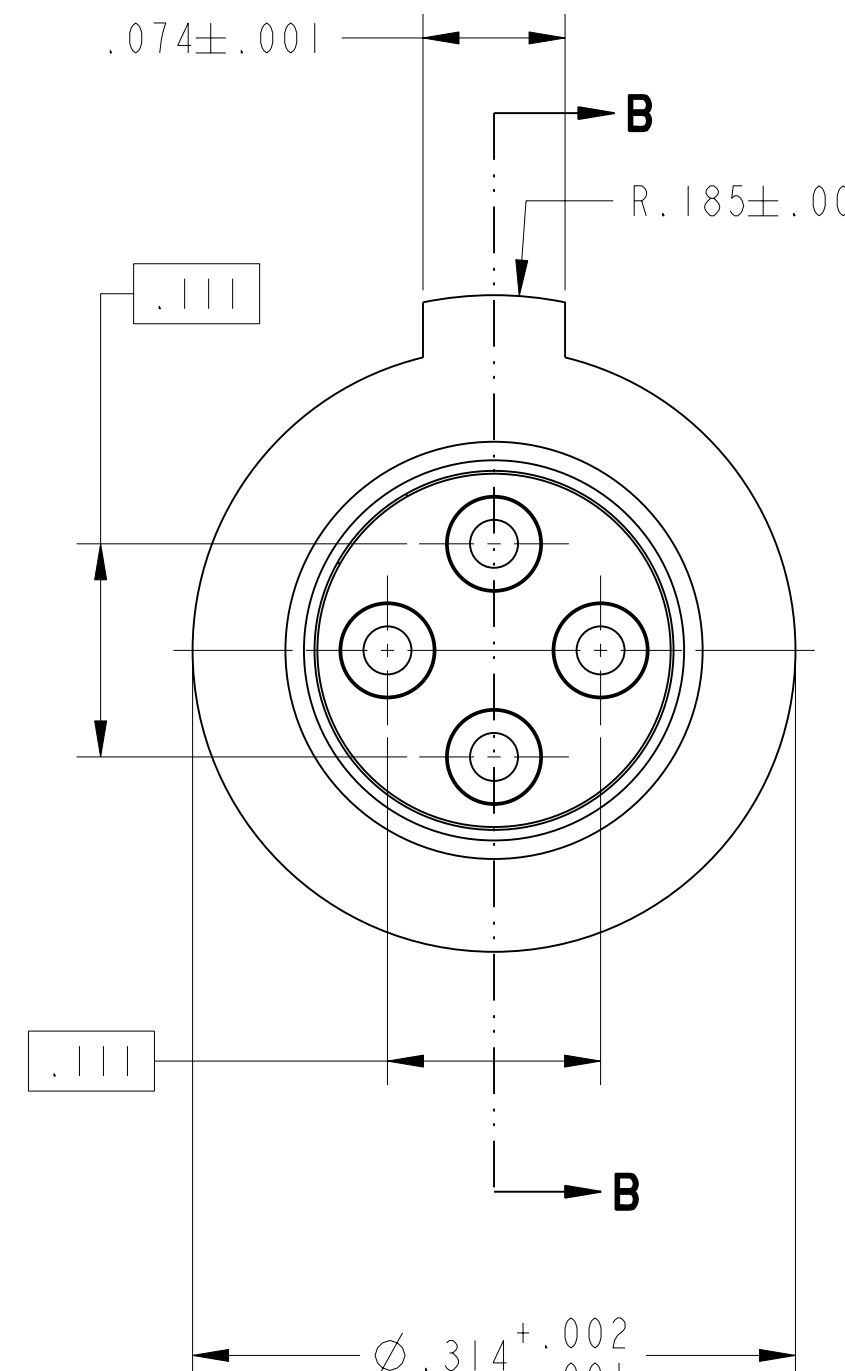
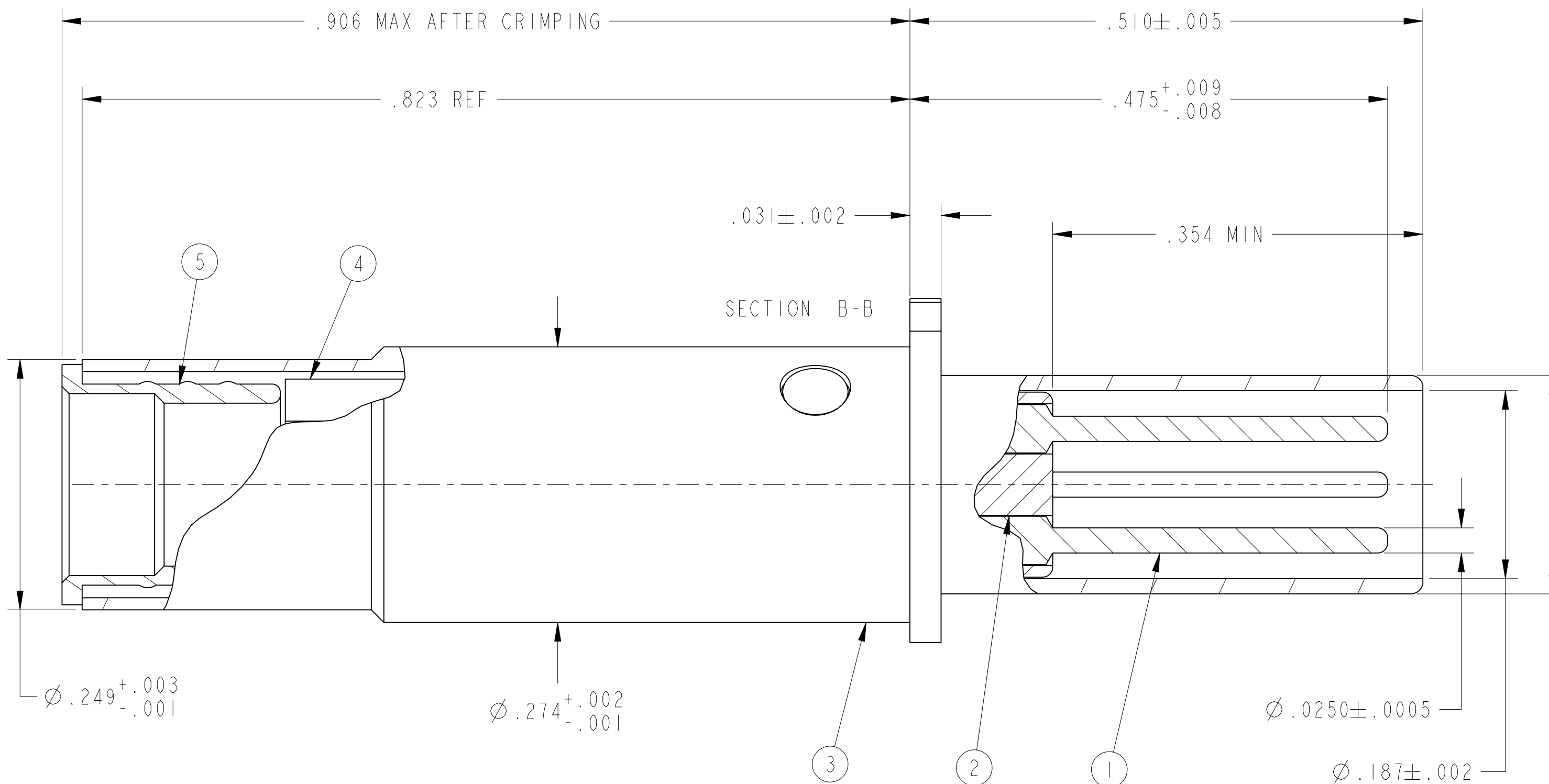


REV. A		SHEET 1 OF 1		DOCUMENT NO. 21-033382-031	
REVISIONS					
LTR	DESCRIPTION			DATE	
A	INITIAL RELEASE				



- CONTACTS MEET THE APPLICABLE REQUIREMENTS OF ABS0973.
- FINISH:
GOLD PLATED PER MIL-G-45204 TYPE II, GRADE C, CLASS I (.000050 MIN)
OVER NICKEL PLATE PER QQ-N-290 (.000050 MIN).
- MATERIALS:
OUTER & INNER CONTACTS- BERYLLIUM COPPER PER ASTM-B-196
SHIELD FERRULE- BRASS PER ASTM B453 OR EQUIVALENT
FRONT INSULATOR & SPACER INSULATOR- TFE RESIN PER AMS 3651 OR EQUIVALENT
- DRAWING ILLUSTRATES FINAL ASSEMBLY. CONTACT COMPONENTS ARE SHIPPED UNASSEMBLED. INSTALLATION INSTRUCTIONS (NOT ILLUSTRATED) ARE PACKAGED WITH EACH ASSEMBLY. PACKAGE PER PRODUCTION PROCESS SHEET.
- TERMINATES QUADRAx CABLE DRAKA FILECA F-4703-3
- CRIMPING TOOLS:
OUTER CONTACT- M22520/5-01 TOOL, M22520/5-45 DIE SET (HEX CLOSURE B)
INNER CONTACTS- M22520/2-01 TOOL, DANIELS K709 (M22520/2-37) POSITIONER
- MATES WITH ARINC QUADRAx SOCKETS 21-33383-()

NOTES:

THE USE OF THIS DOCUMENT IS UNLIMITED. HOWEVER, DOCUMENTS REFERENCED HEREON MAY CONTAIN LIMITED RIGHTS DATA.

N/A NEXT ASSEMBLY

PRO/ENGINEER INFORMATION
 Pro/e Model Used:
 21-033382-031.ASSEM
 Drawing Name:
 21-033382-031

UNLESS OTHERWISE SPECIFIED

LINEAR DIMENSIONS ARE IN INCHES
 TOLERANCES:
 .XXXX = ±.0005 ANGLES= ±2°
 .XXX = ±.010
 .XX = ±.03
 .X = ±.1

DIM. & TOL. PER ASME Y14.5M;
 DRG PER MIL-DTL-31000;
 OTHER Amphenol Stds. PER 9-3800

LEGENDS:
 = FLAG NOTE CALL OUT REFERENCE ONLY

SPECIFICATIONS

MATERIAL SPEC.
N/A

PROCESS SPEC.
N/A

POS	QTY	PART NUMBER	DESCRIPTION	NOTE
6	1	L-2119-1	INSTALLATION INSTRUCTIONS	4
5	1	21-033382-026	SHIELD FERRULE	
4	1	21-033382-005 OR 21-033382-025	SPACER INSULATOR	
3	1	21-033382-004	OUTER CONTACT	
2	1	21-033382-003	FRONT INSULATOR	
1	4	21-033382-002	INNER CONTACT	

APPROVALS		DATE
PREPARED BY	DJSMITH	18-Jul-07
ENGINEER IN CHARGE	LRATCHFORD	
DESIGN MANAGER	ADAVIS	
DESIGN ACTIVITY GROUP	MIL AERO	
THIRD ANGLE PROJECTION		

PARTS LIST

AMPHENOL CORPORATION
 40-60 DELAWARE AVENUE
 SIDNEY, N.Y. 13858

**CONTACT, PIN, QUADRAx,
 ELECTRICAL CONNECTOR,
 TYPE ARINC AIRBUS SPECIAL**

SIZE C	CAGE CODE 77820	DOCUMENT NO. 21-033382-031	REV. A
SCALE: 10:0		REF 21-33382-1	SHEET 1 OF 1

21-033382-031

SHEET 1 OF 1

REV. A

C

B

A

D

C

VERSION 0

REVISION A

RELEASE STATE WIP

REV. A

SHEET 1 OF 1

21-033382-031

REV. A