

C		SHEET 1 OF 1		21-33383-21	
REVISIONS					
LTR	DESCRIPTION	DATE			
A	INITIAL RELEASE	----			
B	(CL11) MOD PARTS LIST ECN: 96326	JHEATH 5/6/05			
C	(CL11) SEE CHG NOTICE ECN: B0646-0000	2/16/11			

21-33383-21

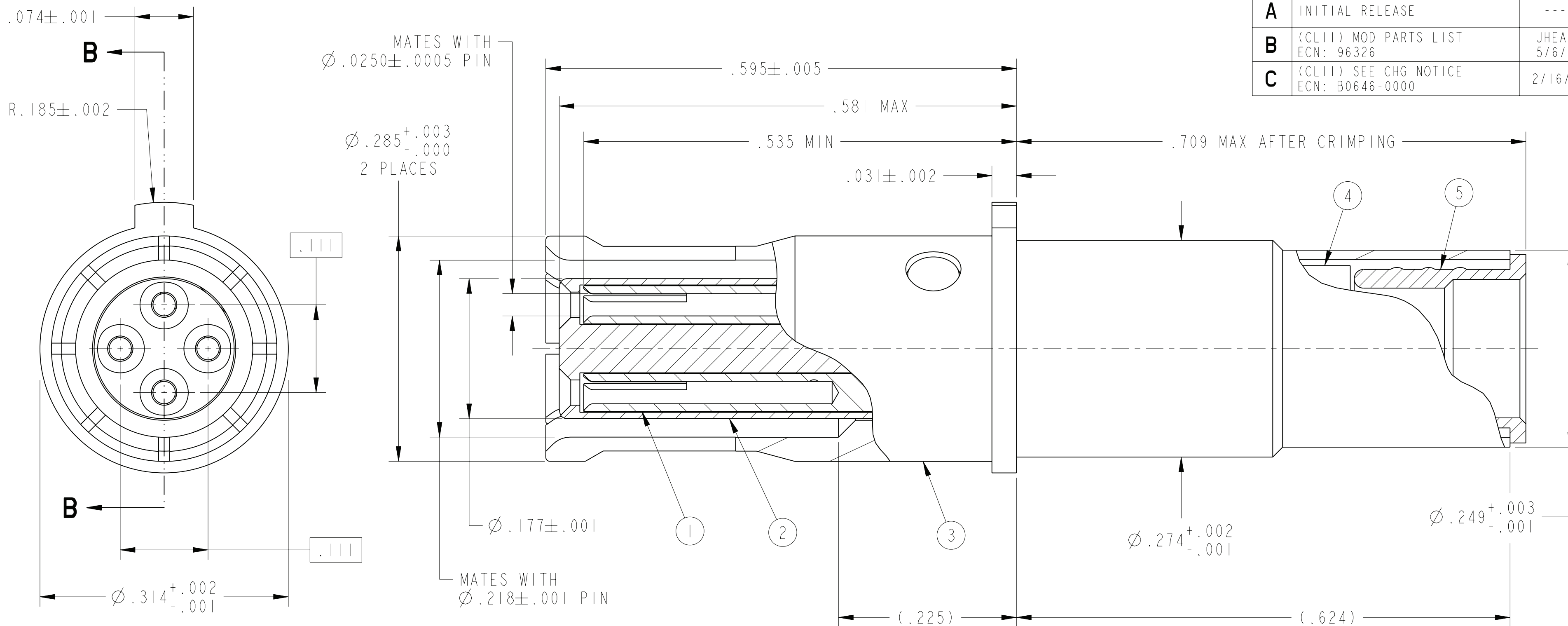
SHEET 1 OF 1

C

C

B

A



SECTION B-B

7. MATES WITH ARINC QUADRIX PIN 21-33382-21.
6. CRIMPING TOOLS:
 OUTER CONTACT- M22520/5-01 TOOL, M22520/5-45 DIE SET (HEX CLOSURE B)
 INNER CONTACTS- M22520/2-01 TOOL, DANIELS K709 (M22520/2-37) POSITIONER
5. TERMINATES QUADRIX CABLE TENSOLITE NF24Q100.
4. DRAWING ILLUSTRATES FINAL ASSEMBLY. CONTACT COMPONENTS ARE SHIPPED UNASSEMBLED. INSTALLATION INSTRUCTIONS (NOT ILLUSTRATED) ARE PACKAGED WITH EACH ASSEMBLY. PACKAGE PER PRODUCTION PROCESS SHEET.
3. MATERIALS:
 OUTER & INNER CONTACTS- BERYLLIUM COPPER PER ASTM-B-196
 SHIELD FERRULE- BRASS PER ASTM B453 OR QQ-B-626
 FRONT INSULATOR & SPACER INSULATOR- TFE RESIN PER AMS 3651
2. FINISH:
 GOLD PLATED PER MIL-G-45204 TYPE II, GRADE C, CLASS I (.000050 MIN)
 OVER NICKEL PLATE PER QQ-N-290 (.000050 MIN).
1. CONTACTS MEET THE APPLICABLE REQUIREMENTS ABS0974.

NOTES:

THE USE OF THIS DOCUMENT IS UNLIMITED. HOWEVER, DOCUMENTS REFERENCED HEREON MAY CONTAIN LIMITED RIGHTS DATA.

N/A
NEXT ASSEMBLY

PRO/ENGINEER INFORMATION
Pro/e Model Used:
21-033383-021.ASSEM
Drawing Name:
21-33383-21

UNLESS OTHERWISE SPECIFIED

LINEAR DIMENSIONS ARE IN INCHES
TOLERANCES:
 .XXXX = ±.0005 ANGLES= ±2°
 .XXX = ±.010
 .XX = ±.03
 .X = ±.1

DIM. & TOL. PER ASME Y14.5M;
 DRM PER MIL-DTL-31000;
 OTHER Amphenol Stds. PER 9-3800

LEGENDS:
 =FLAG NOTE CALL OUT REFERENCE ONLY

SPECIFICATIONS

MATERIAL SPEC.
N/A

PROCESS SPEC.
N/A

POS	QTY	PART NUMBER	DESCRIPTION	NOTE
6	1	L-2119-AH	INSTALLATION INSTRUCTIONS	4
5	1	21-033382-036	SHIELD FERRULE	
4	1	21-033382-005 OR 21-033382-025	SPACER INSULATOR	
3	1	21-033383-004	OUTER CONTACT	
2	1	21-033383-003	FRONT INSULATOR	
1	4	21-033383-002	INNER CONTACT	

APPROVALS		DATE
PREPARED BY	LRATCHFORD	05-Mar-03
ENGINEER IN CHARGE	LRATCHFORD	
DESIGN MANAGER	ADAVIS	
DESIGN ACTIVITY GROUP	MIL AERO	
THIRD ANGLE PROJECTION		

PARTS LIST

AMPHENOL CORPORATION
 40-60 DELAWARE AVENUE
 SIDNEY, N.Y. 13858

**CONTACT, SOCKET, QUADRIX,
 ELECTRICAL CONNECTOR,
 TYPE ARINC AIRBUS SPECIAL**

SIZE C	CAGE CODE 77820	DOCUMENT NO. 21-33383-21	REV. C
SCALE: 10.0		REF. 21-33383-31	SHEET 1 OF 1

RELEASE STATE Released

SHEET 1 OF 1

21-33383-21

FORMAT: C-U-E-1

21-33383-21

SHEET 1 OF 1

C