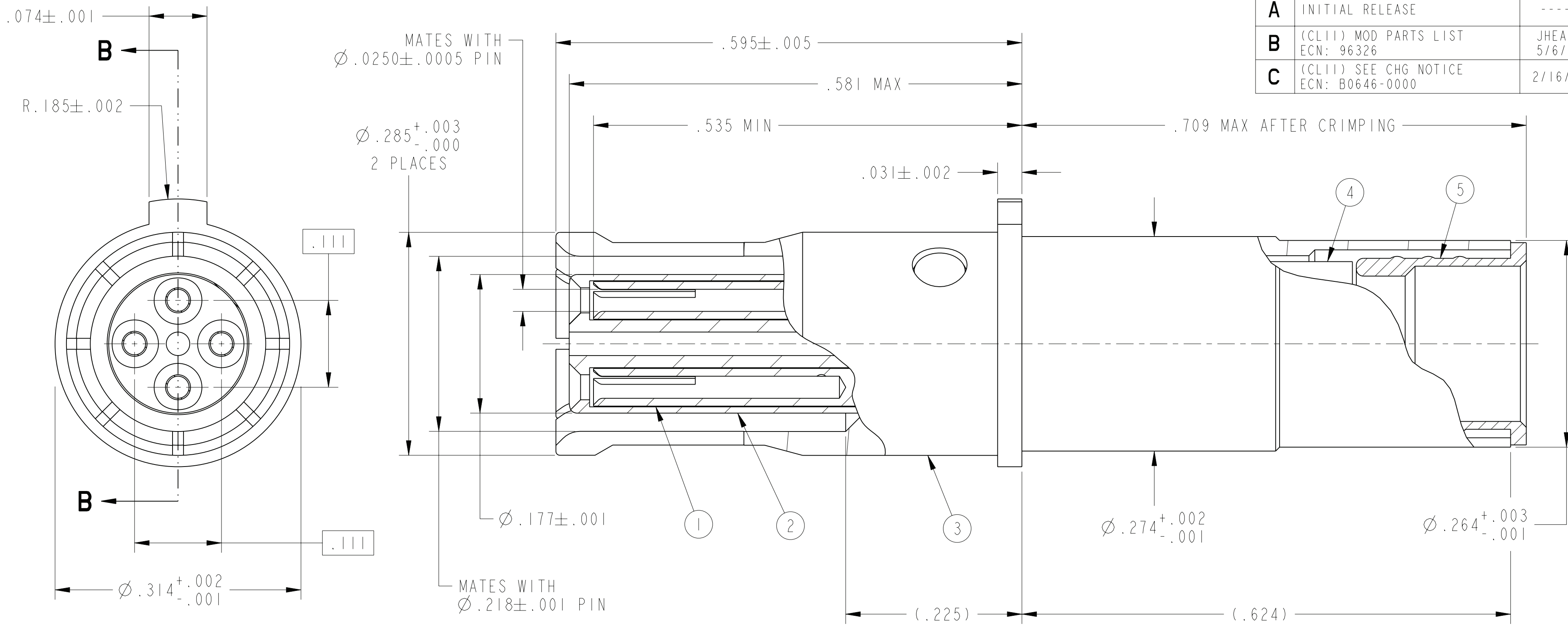


C		SHEET 1 OF 1		21-33383-61	
REVISIONS					
LTR	DESCRIPTION	DATE			
A	INITIAL RELEASE	-----			
B	(CL11) MOD PARTS LIST ECN: 96326	JHEATH 5/6/05			
C	(CL11) SEE CHG NOTICE ECN: B0646-0000	2/16/11			



SECTION B-B

7. MATES WITH ARINC QUADRIX PIN 21-33382-61.
6. CRIMPING TOOLS:
 OUTER CONTACT- M22520/5-01 TOOL, M22520/5-45 DIE SET (HEX CLOSURE A)
 INNER CONTACTS- M22520/2-01 TOOL, DANIELS K709 (M22520/2-37) POSITIONER
5. TERMINATES QUADRIX CABLE TENSOLITE 26473/02006X-4(LD) OR GORE RNC8328 (150 OHMS).
4. DRAWING ILLUSTRATES FINAL ASSEMBLY. CONTACT COMPONENTS ARE SHIPPED UNASSEMBLED. INSTALLATION INSTRUCTIONS (NOT ILLUSTRATED) ARE PACKAGED WITH EACH ASSEMBLY. PACKAGE PER PRODUCTION PROCESS SHEET.
3. MATERIALS:
 OUTER & INNER CONTACTS- BERYLLIUM COPPER PER ASTM-B-196
 SHIELD FERRULE- BRASS PER ASTM B453 OR QQ-B-626
 FRONT INSULATOR & SPACER INSULATOR- TFE RESIN PER AMS 3651
2. FINISH:
 GOLD PLATED PER MIL-G-45204 TYPE II, GRADE C, CLASS I (.000050 MIN)
 OVER NICKEL PLATE PER QQ-N-290 (.000050 MIN).
1. CONTACTS MEET THE APPLICABLE REQUIREMENTS ABS0974.

NOTES:

THE USE OF THIS DOCUMENT IS UNLIMITED. HOWEVER, DOCUMENTS REFERENCED HEREON MAY CONTAIN LIMITED RIGHTS DATA.

N/A
NEXT ASSEMBLY

PRO/ENGINEER INFORMATION
Pro/e Model Used:
21-033383-061.ASSEM
Drawing Name:
21-33383-61

UNLESS OTHERWISE SPECIFIED

LINEAR DIMENSIONS ARE IN INCHES
TOLERANCES:
 .XXXX = ±.0005 ANGLES= ±2°
 .XXX = ±.010
 .XX = ±.03
 .X = ±.1

DIM. & TOL. PER ASME Y14.5M;
 DRM PER MIL-DTL-31000;
 OTHER Amphenol Stds. PER 9-3800

LEGENDS:
 =FLAG NOTE CALL OUT
 REFERENCE ONLY

SPECIFICATIONS

MATERIAL SPEC.
N/A

PROCESS SPEC.
N/A

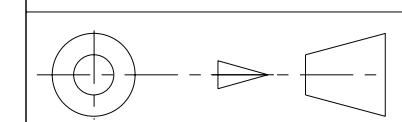
POS	QTY	PART NUMBER	DESCRIPTION	NOTE
6	1	L-2119-L	INSTALLATION INSTRUCTIONS	4
5	1	21-033384-036	SHIELD FERRULE	
4	1	21-033382-005 OR 21-033382-025	SPACER INSULATOR	
3	1	21-033383-044	OUTER CONTACT	
2	1	21-033383-013	FRONT INSULATOR	
1	4	21-033383-012	INNER CONTACT	

APPROVALS		DATE
PREPARED BY	LRATCHFORD	31-Jul-03
ENGINEER IN CHARGE	LRATCHFORD	
DESIGN MANAGER	ADAVIS	
DESIGN ACTIVITY GROUP	MIL AERO	

PARTS LIST

AMPHENOL CORPORATION
 40-60 DELAWARE AVENUE
 SIDNEY, N.Y. 13858

**CONTACT, SOCKET, QUADRIX,
 ELECTRICAL CONNECTOR,
 TYPE ARINC AIRBUS SPECIAL**



SIZE C	CAGE CODE 77820	DOCUMENT NO. 21-33383-61	REV. C
SCALE: 10.0		REF. 21-33383-31	SHEET 1 OF 1

21-33383-61 DOCUMENT NO. SHEET 1 OF 1 REV. C

RELEASE STATE Released REVISION C VERSION 0