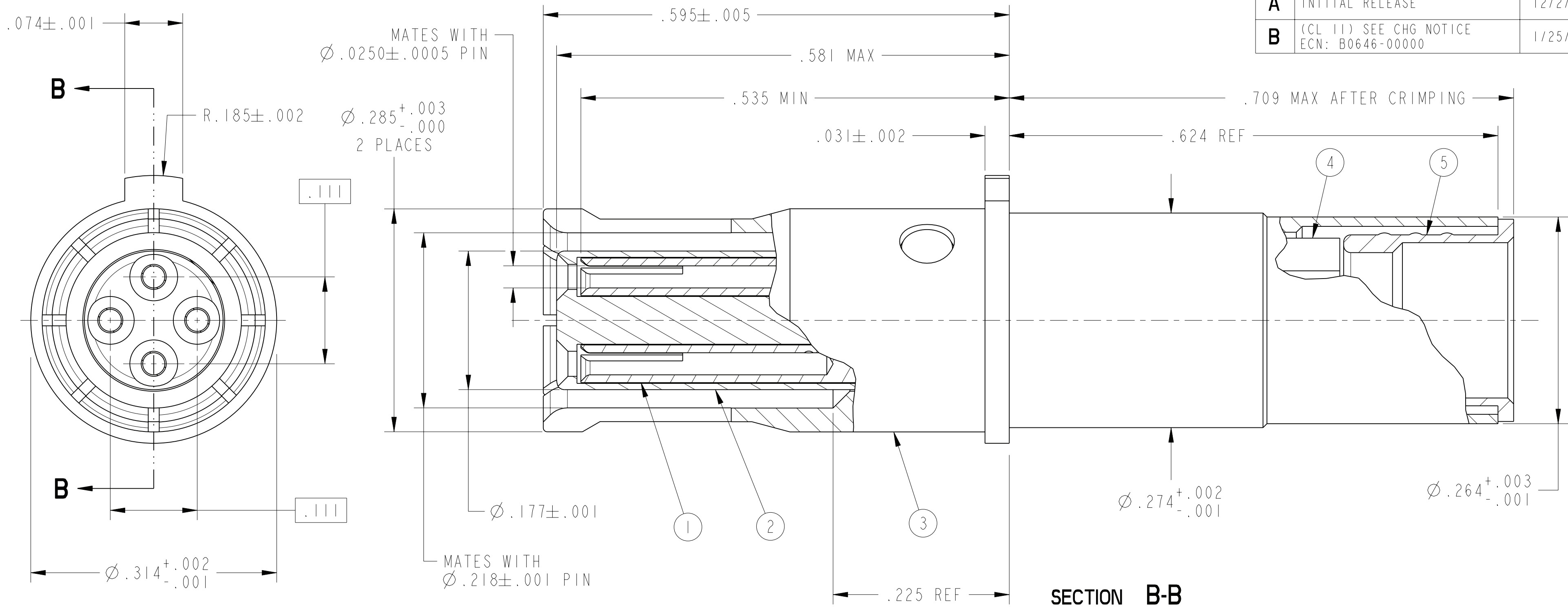


REV. B		SHEET 1 OF 1		DOCUMENT NO. 21-033383-101	
REVISIONS					
LTR	DESCRIPTION			DATE	
A	INITIAL RELEASE			12/2/05	
B	(CL 11) SEE CHG NOTICE ECN: B0646-00000			1/25/11	



7. MATES WITH ARINC QUADRAX PIN 21-33382-101.
6. CRIMPING TOOLS:  
 OUTER CONTACT- M22520/5-01 TOOL, M22520/5-45 DIE SET (HEX CLOSURE A)  
 INNER CONTACTS- M22520/2-01 TOOL, DANIELS K709 (M22520/2-37) POSITIONER
5. TERMINATES QUADRAX CABLE DRAKA FILECA F-4704-5 (100 OHMS).
4. DRAWING ILLUSTRATES FINAL ASSEMBLY. CONTACT COMPONENTS ARE SHIPPED UNASSEMBLED. INSTALLATION INSTRUCTIONS (NOT ILLUSTRATED) ARE PACKAGED WITH EACH ASSEMBLY. PACKAGE PER PRODUCTION PROCESS SHEET.
3. MATERIALS:  
 OUTER & INNER CONTACTS- BERYLLIUM COPPER PER ASTM-B-196  
 SHIELD FERRULE- BRASS PER ASTM B453 OR EQUIVALENT  
 FRONT INSULATOR & SPACER INSULATOR- TFE RESIN PER AMS 3651 OR EQUIVALENT
2. FINISH:  
 GOLD PLATED PER MIL-G-45204 TYPE II, GRADE C, CLASS I (.000050 MIN)  
 OVER NICKEL PLATE PER QQ-N-290 (.000050 MIN).
1. CONTACTS MEET THE APPLICABLE REQUIREMENTS ABS0974.

**NOTES:**

THE USE OF THIS DOCUMENT IS UNLIMITED. HOWEVER, DOCUMENTS REFERENCED HEREON MAY CONTAIN LIMITED RIGHTS DATA.

PRO/ENGINEER INFORMATION	21-033383-101.ASSEM
Pro/e Model Used:	21-033383-101
Drawing Name:	21-033383-101

N/A

NEXT ASSEMBLY

UNLESS OTHERWISE SPECIFIED	SPECIFICATIONS
LINEAR DIMENSIONS ARE IN INCHES TOLERANCES: .XXXX = ±.0005 ANGLES= ±2° .XXX = ±.010 .XX = ±.03 .X = ±.1	MATERIAL SPEC. N/A
DIM. & TOL. PER ASME Y14.5M; DRM PER MIL-DTL-31000; OTHER Amphenol Stds. PER 9-3800	PROCESS SPEC. N/A
LEGENDS: =FLAG NOTE CALL OUT REFERENCE ONLY	

POS	QTY	PART NUMBER	DESCRIPTION	NOTE
6	1	L-2119-AS	INSTALLATION INSTRUCTIONS	4
5	1	21-033384-036	SHIELD FERRULE	
4	1	21-033382-005 OR 21-033382-025	SPACER INSULATOR	
3	1	21-033383-044	OUTER CONTACT	
2	1	21-033383-003	FRONT INSULATOR	
1	4	21-033383-002	INNER CONTACT	

APPROVALS

PREPARED BY	LRATCHFORD	DATE	8-Jun-05
ENGINEER IN CHARGE	LRATCHFORD		
DESIGN MANAGER	ADAVIS		
DESIGN ACTIVITY GROUP	MIL AERO		

THIRD ANGLE PROJECTION

**AMPHENOL CORPORATION**  
 40-60 DELAWARE AVENUE  
 SIDNEY, N.Y. 13858

**CONTACT, SOCKET, QUADRAX,  
 ELECTRICAL CONNECTOR,  
 TYPE ARINC SPECIAL**

SIZE	CAGE CODE	DOCUMENT NO.	REV.
C	77820	21-033383-101	B

SCALE: 10:0 REF: 21-33383-61 SHEET 1 OF 1

21-033383-101

SHEET 1 OF 1

REV. B

C

B

A

FORMAT: C-U-E-1

21-033383-101

SHEET 1 OF 1

REV. B

C

B

U

21-033383-101